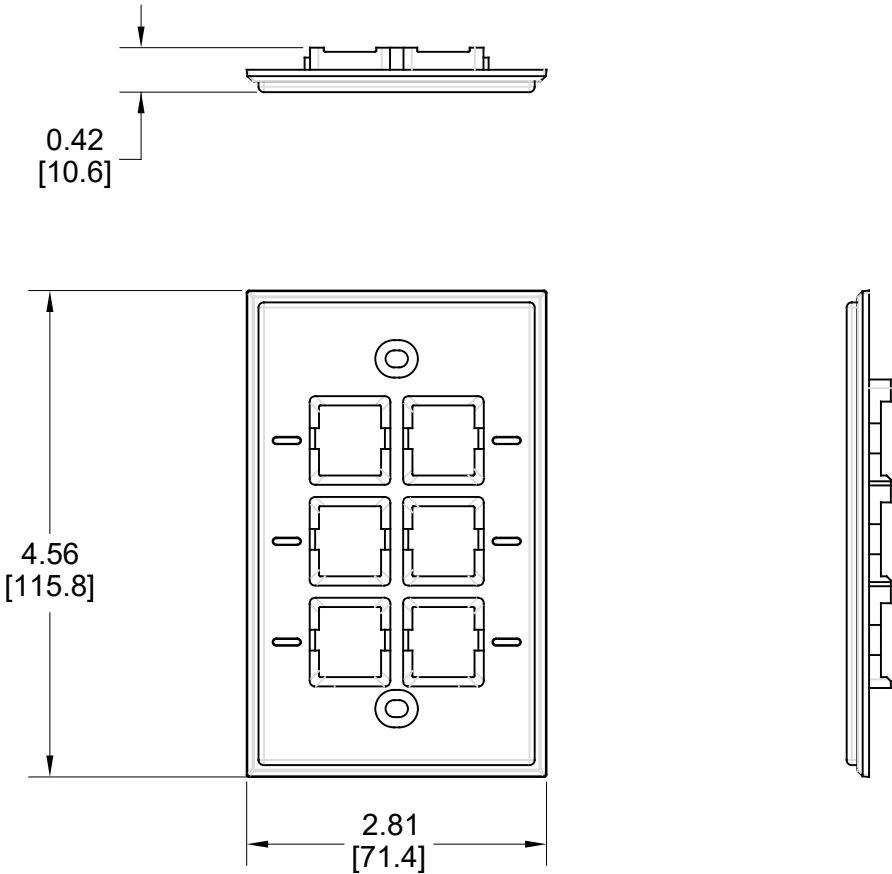


MATERIAL ID	DESCRIPTION
760248931	FP KT 6P NLBL 003

NOTES:

1. SEE COMMSCOPE CATALOG FOR PART NUMBER SUFFIXES TO INDICATE COLOR/PKG.
2. SEE COMMSCOPE CATALOG FOR COMPLETE LIST OF PARTS RELATED TO THE USE OF THIS PRODUCT.
3. DIMENSIONS IN PARENTHESES ARE IN METRIC[MM].
4. PART INCLUDES:
 (1) 6 PORT NAR NLBL FP, BLK
 (2) SCREW



FP KT 6P NLBL 003			
COMMSCOPE, INC OF NORTH CAROLINA			
DRAWN BY JW		DATE 02/03/2021	
DWG NO 760248931			

1	02/03/21		INITIAL ISSUE	FW
REV	DATE	ECR	DESCRIPTION	APPROVED BY