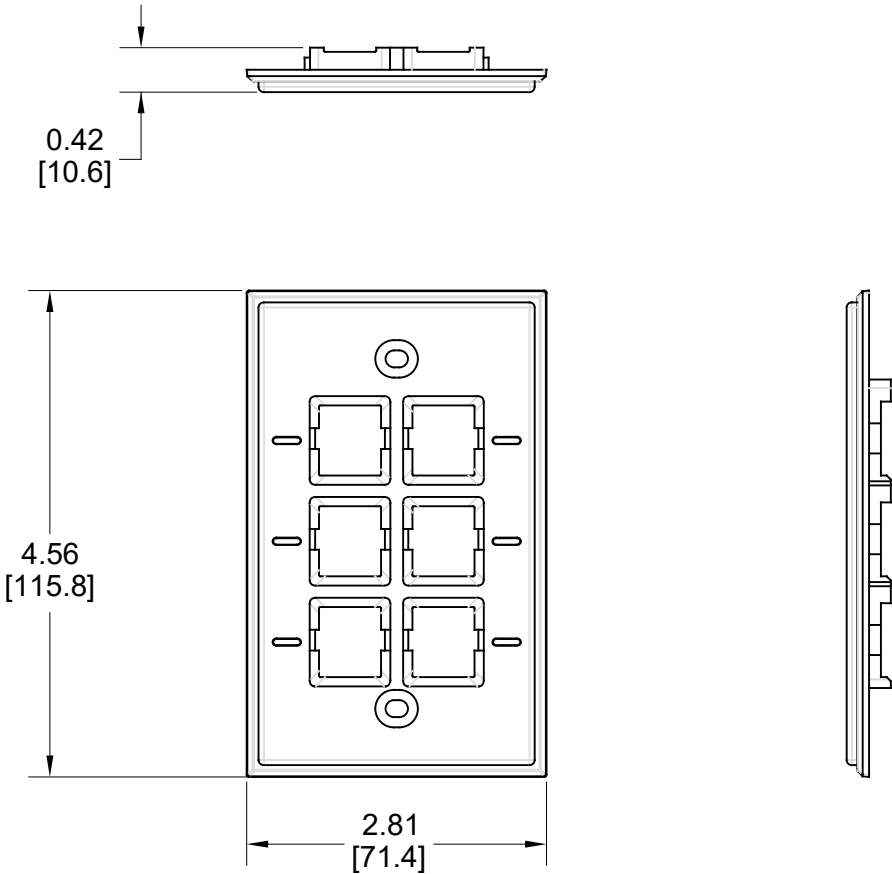


MATERIAL ID	DESCRIPTION
760249175	FP KT 6P NLBL 246

NOTES:

- SEE COMMSCOPE CATALOG FOR PART NUMBER SUFFIXES TO INDICATE COLOR/PKG.
- SEE COMMSCOPE CATALOG FOR COMPLETE LIST OF PARTS RELATED TO THE USE OF THIS PRODUCT.
- DIMENSIONS IN PARENTHESSES ARE IN METRIC[MM].
- PART INCLUDES:
  - (1) 6 PORT NAR NLBL FP, IVR
  - (2) SCREW



FP KT 6P NLBL 246	
<b>COMMSCOPE, INC</b> OF NORTH CAROLINA	

1	02/03/21		INITIAL ISSUE	FW	DRAWN BY JW	
REV	DATE	ECR	DESCRIPTION	APPROVED BY	DATE 02/03/2021	DWG NO 760249175