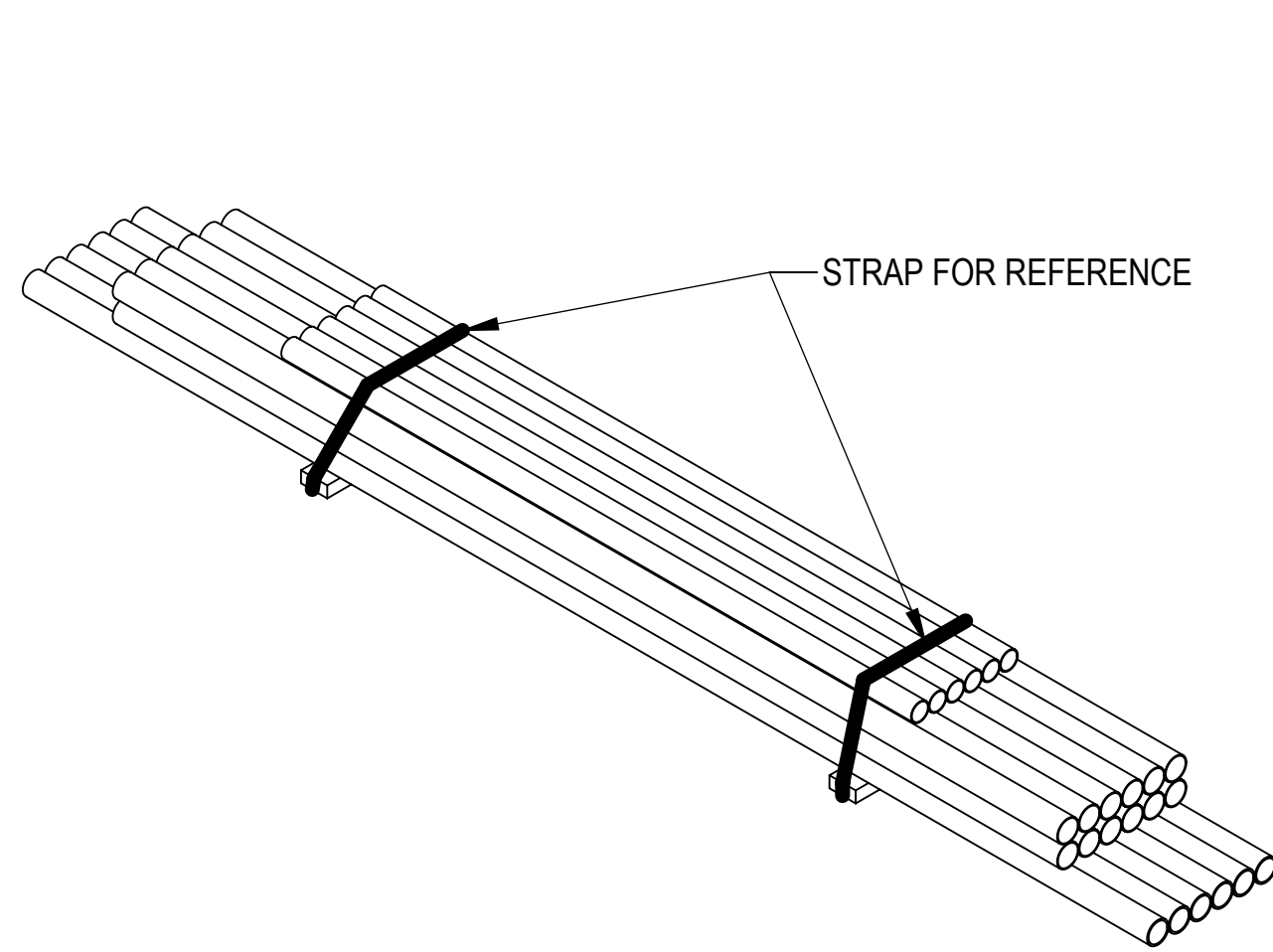


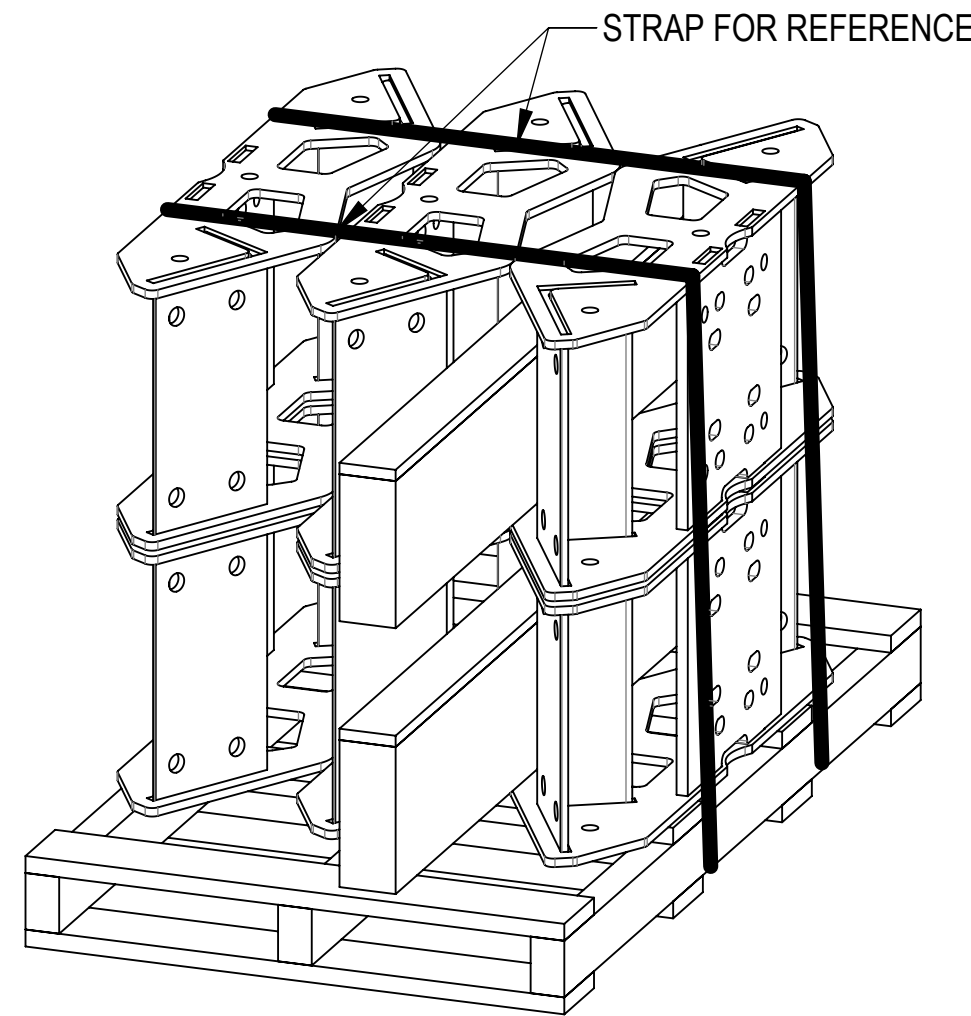
- 1.0 GENERAL NOTES  
 1.1 ALL METRIC DIMENSIONS ARE IN BRACKETS [X.X]  
 1.2 FOR PATENT INFO: <https://www.cs-pat.com>
- 2.0 DESIGN NOTES  
 2.1 ANY HAZARDS OR OBSTRUCTIONS TO THE CLIMBING FACILITY AND SAFETY CLIMB MUST BE IDENTIFIED PRIOR TO INSTALLING THE APPURTENANCE. ADDITIONAL PRODUCTS MAY BE REQUIRED TO MAINTAIN THE INTEGRITY OF THE SAFETY CLIMB. DURING INSTALLATION, TEMPORARY AND/OR PERMANENT PRECAUTIONARY MEASURES SHOULD BE TAKEN TO PRESERVE THE CLIMBING FACILITY AND/OR SAFETY CLIMB.  
 2.2 FITS MONOPOLES 15" TO 50" OD.
- 3.0 MANUFACTURING/SPECIAL REQUIREMENTS  
 3.1 TIGHTEN ALL BOLTS SECURING FLAT PLATES BY THE TURN-OF-NUT METHOD. TIGHTEN ALL U-BOLTS USING TURN-OF-NUT METHOD WITH ATTENTION TO LEAVE EQUAL DISTANCE AND EQUAL FORCE ON EACH LEG OF THE U-BOLT.
- 4.0 TEST
- 5.0 PACKAGING  
 5.1 PACKAGING SHALL MEET COMMScope REQUIREMENTS PER DOCUMENT IS-PL-3005.  
 5.2 PRINTED DOCUMENT TO BE PLACED INSIDE POLYBAG AND THEN IN SHIPPING CONTAINER.  
 5.3 EXTRA HARDWARE MAY BE SUPPLIED, BAGGED AND SHIPPED.

REVISIONS			
REV.	DESCRIPTION	DATE	APPROVED
C	MCG22HDX SERIES BOM STANDARDIZATION, UPDATED TOP MID ON DRAWING	YMENG 20APR22	BCROSS 40146718CMO
D	ADDED MCG22HDX12-12-H10, MCG22HDX12-15-WLL, MCG22HDX14-12-H10 AND MCG22HDX14-15-WLL ON THE DRAWING	YMENG 17MAY22	BCROSS 40148838CMO
E	REMOVED SFG2250, UPDATED NOTES	YMENG 17APR23	BA1025 40146772CMO
F	ADDED SHEET 2; ADDED SFG2255 TO THE TOP OF V-ARM	RY1002 08JAN24	YW1045 40185567CMO

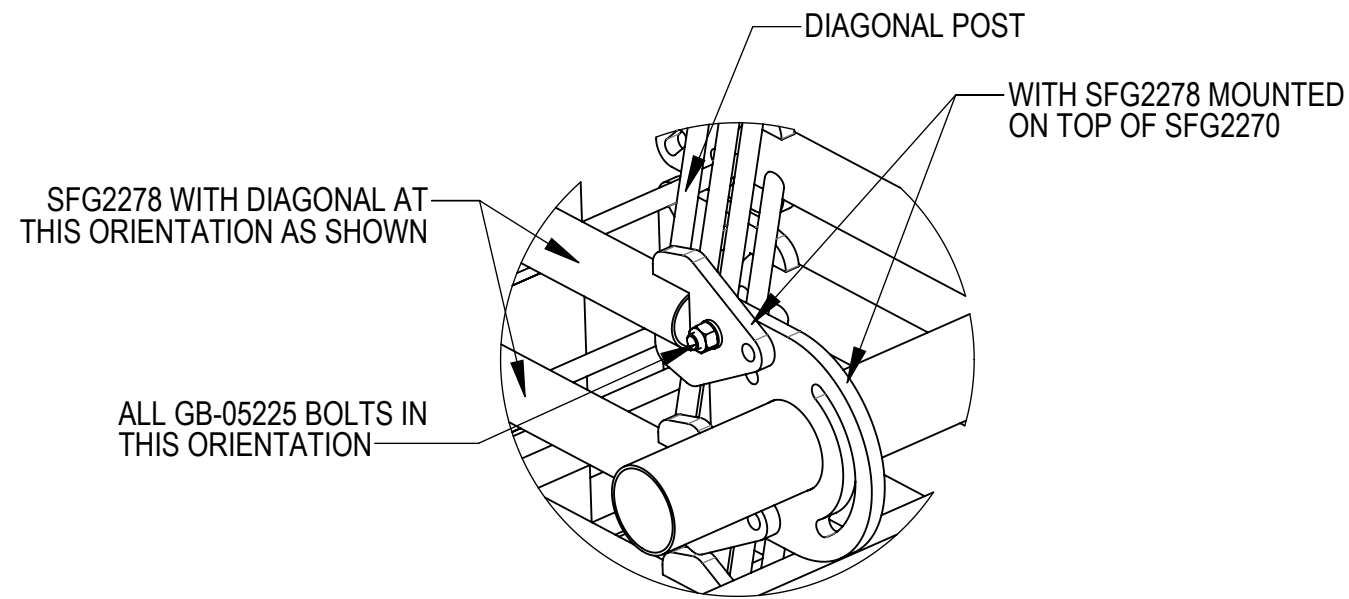
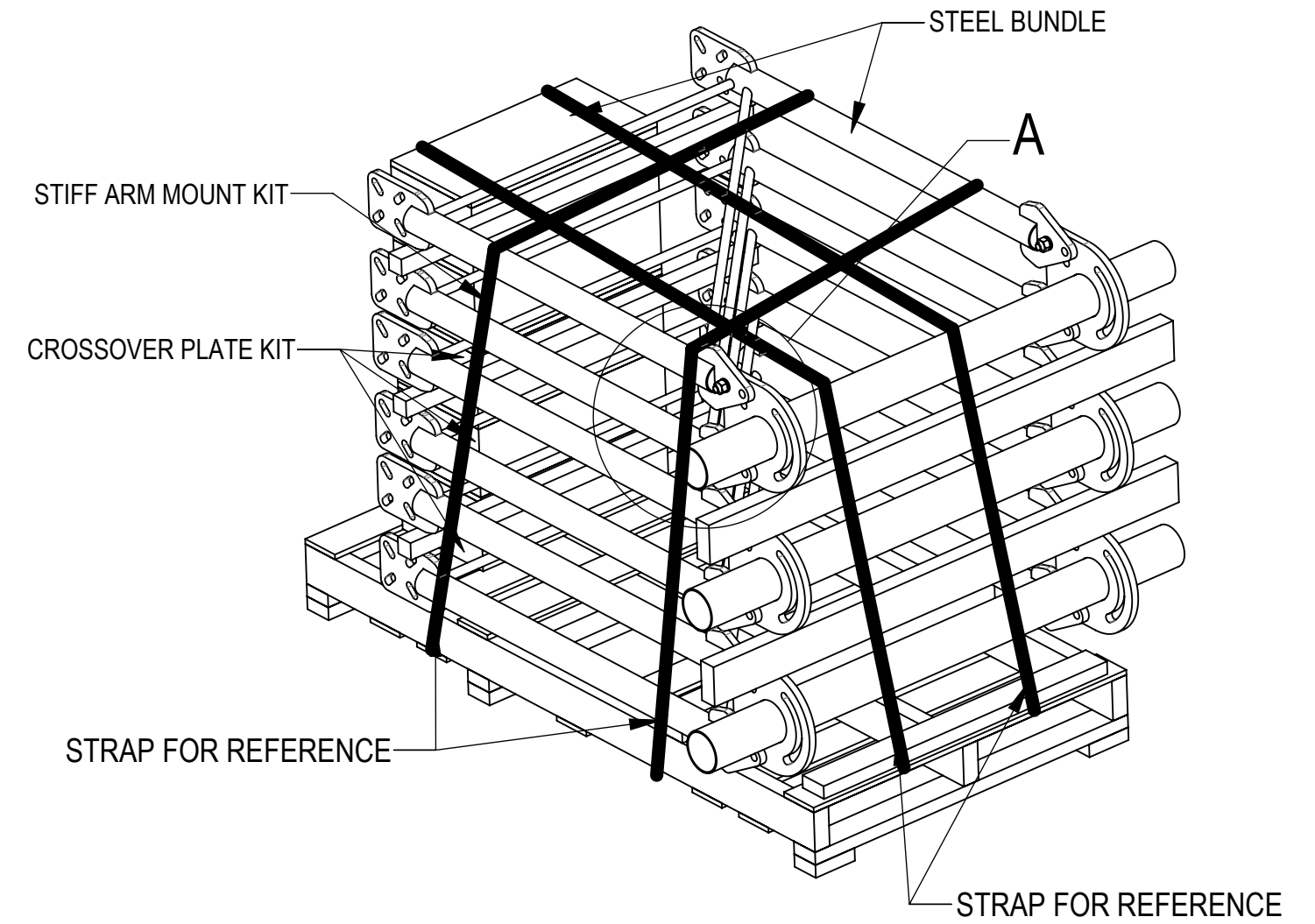
**MOUNT MUST BE INSTALLED WITH DIAGONALS AS SHOWN**



PIPE BUNDLE



RING MOUNT



DETAIL A  
SCALE 1 : 7

COMMScope, INC. OF NORTH CAROLINA																			
TOLERANCES						SAP MATERIAL MASTER													
1 PLACE .X[X] ± .25[6.3]			3 PLACE .XXX[X] ± .060[1.5]			SEE TABLE 1													
2 PLACE .XX[X] ± .12[3.0]			ANGLES ± 2°																
FINISH						MATERIAL													
UNLESS OTHERWISE SPECIFIED DIMENSIONS ARE IN INCHES INTERPRET PER ANSI Y 14.5M-1994																			
		NAME		DATE		TITLE													
CE		RJC		03/12/20		MCG22HDX SECTOR FRAME SERIES													
RW		RY1002		01/10/2024															
AD		YW1045		01/10/2024															
RE		YMENG		01/24/2024															
ECN		40185567CMO																	
SCALE		DOCUMENT NO.		MCG22HDX															
1:16																			
SIZE		Auth Group		INSL		MODEL		DRAWING				SHEET							
C		[Symbol]		[Symbol]		VERSION		STATUS		REVISION		VERSION		STATUS		REVISION		1 OF 8	
						05		AR		E		08		RE		F			

DENSITY	lbs/in <sup>3</sup>
MASS	lbs
VOLUME	in <sup>3</sup>
SURFACE AREA	in <sup>2</sup>
HEIGHT	
LENGTH	
WIDTH	

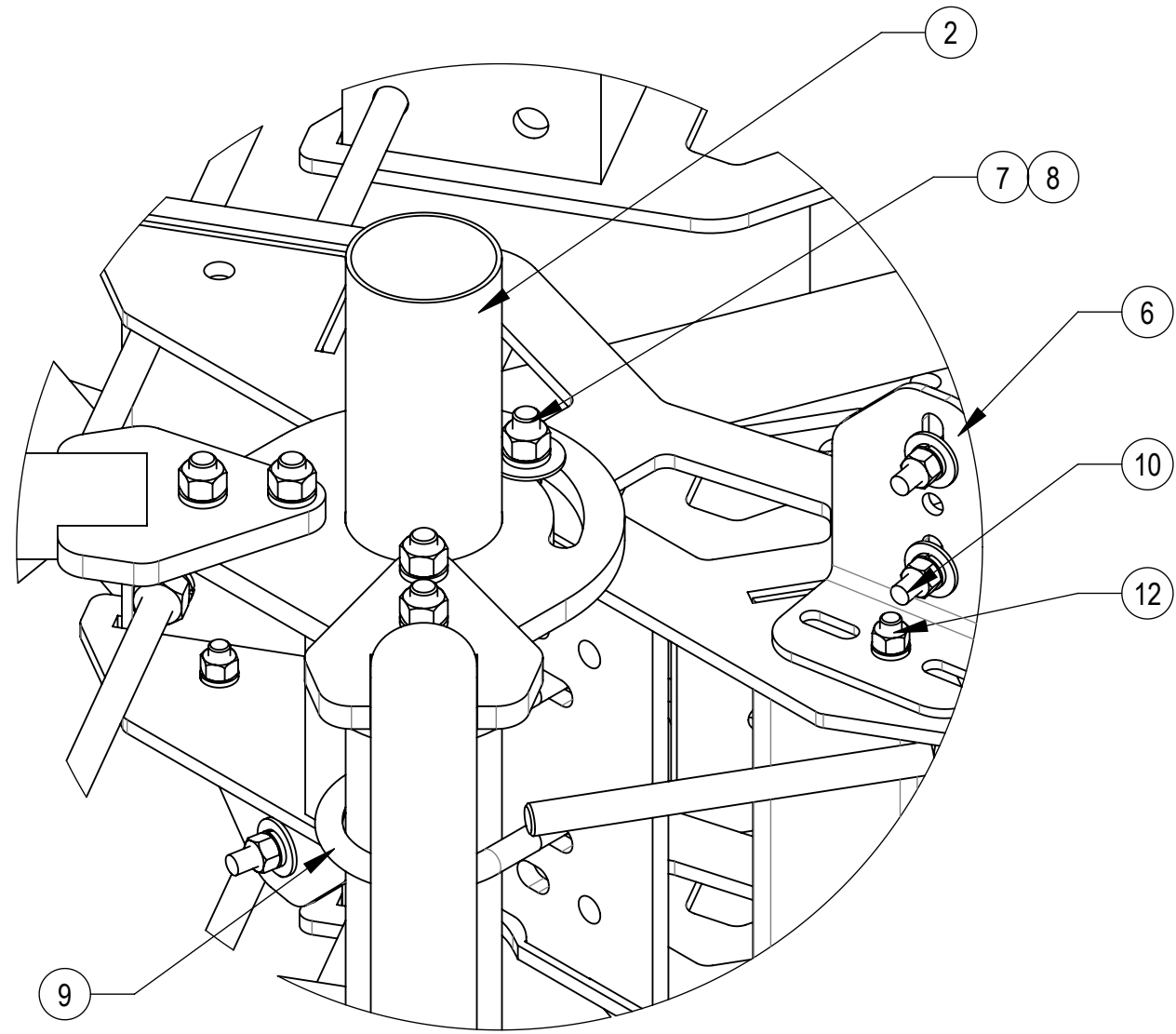


4

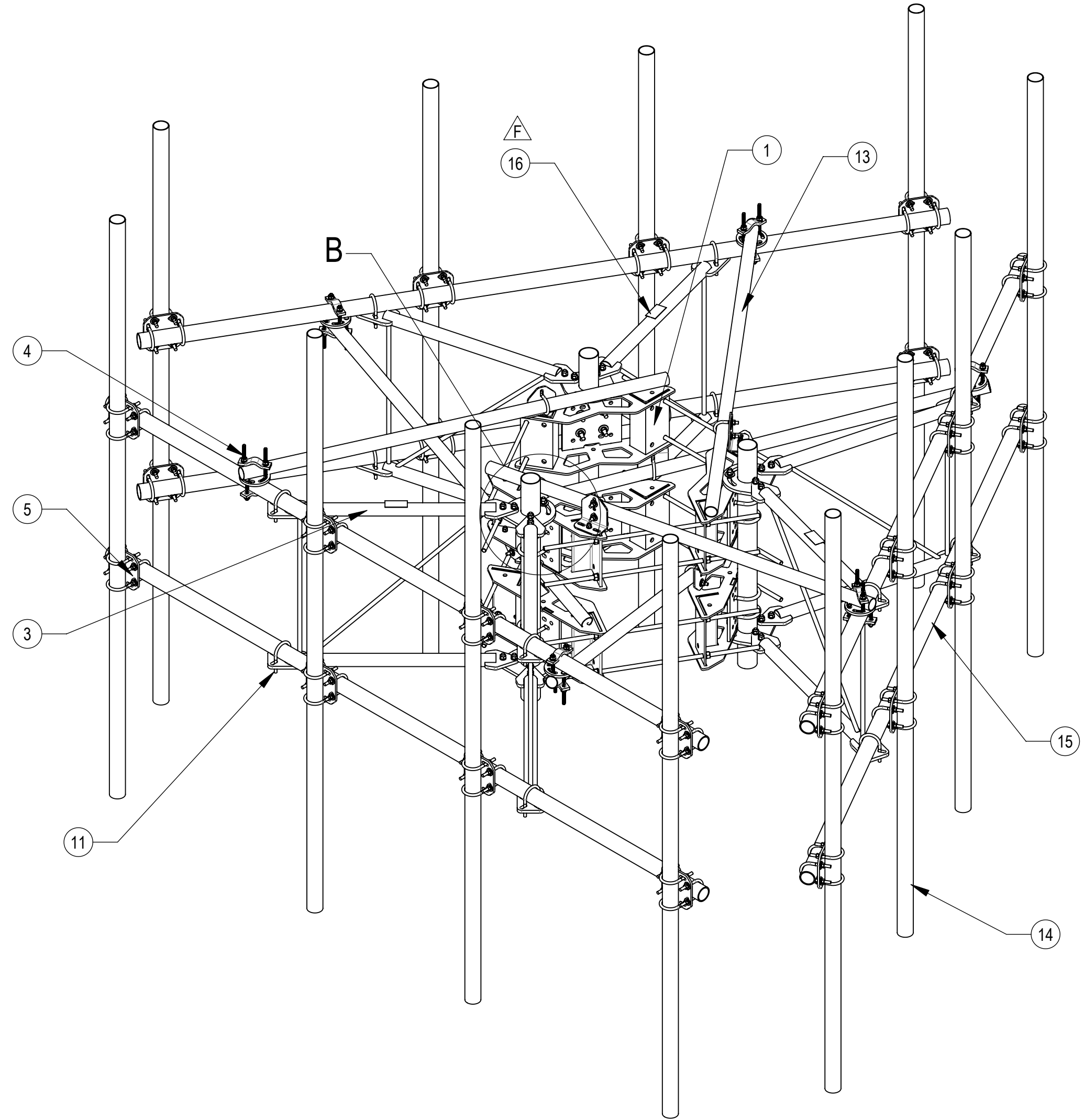
3

2

1



**DETAIL B**  
SCALE 1 : 4



TOP  
↓  
BOTTOM

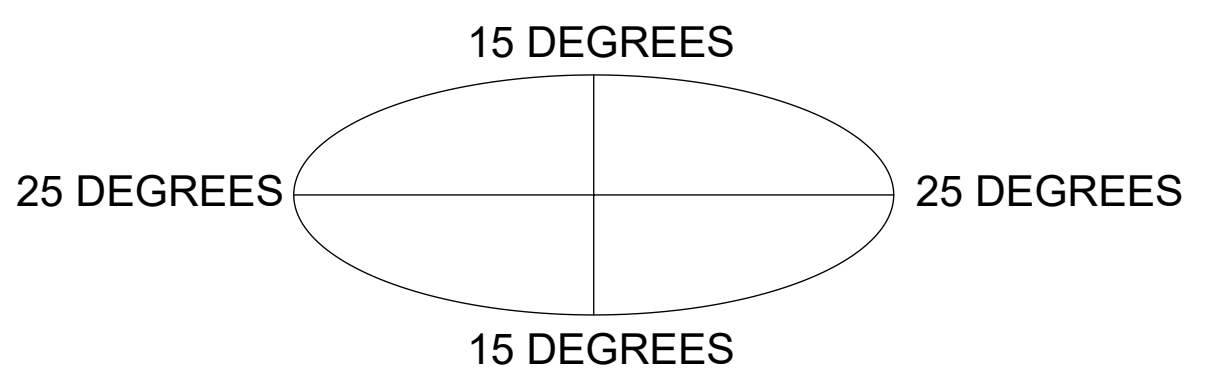
MCG22HDX-12M12-126 SHOWN FOR REFERENCE  
(NOT ALL CONFIGURATIONS INCLUDE ALL ITEMS SEE NOTES IN TABLE)

COMPONENT PART NUMBERS PROVIDED FOR ASSEMBLY PURPOSES;  
INDIVIDUAL COMPONENTS MAY BE SHIPPED AS PARTS WITHIN AN INCLUDED KIT.

ITEM	PART NO.	DESCRIPTION	QTY.	WEIGHT	NOTE NO.
1	MC-RM1550-3	15" - 50" OD RINGMOUNT	2	229.90 LBS	
2	SFG2270	BACK VERTICAL ARM MOUNT	3	36.96 LBS	
3	SFG2278	ARM, STANDOFF - SFG22	6	40.92 LBS	
4	XP-R	CROSSOVER PLATE, ROUND, UP TO 3.5" OD	6	6.20 LBS	
5	XP-2525	CROSSOVER PLATE KIT, 2-7/8 OD X 2-7/8 OD	24	12.61 LBS	QTY SEE INDIVIDUAL DRAWING
6	XAU01	ANGLE, CROSSOVER, 1.9-3.5" X 1.9-3.5" OD	6	2.98 LBS	
7	GB-05225	5/8" X 2-1/4" GALV BOLT KIT	30	0.28 LBS	
8	GWF-05	5/8" GALV FLAT WASHER, 1.7OD	6	0.06 LBS	
9	GUB-53560	5/8" X 3-5/8" X 6" GALV U-BOLT	12	1.30 LBS	
10	GUB-4240	1/2" X 2-1/2" X 4" GALV U-BOLT	6	0.56 LBS	PART NO. SEE INDIVIDUAL DRAWING
11	GUB-4352	1/2" X 3" X 5-1/4" GALV U-BOLT	12	0.71 LBS	
12	GB-04145	1/2" X 1-1/2" GALV BOLT KIT	6	0.13 LBS	
13	MT-651-84	2.375" OD X 84" PIPE	6	20.35 LBS	PART NO. SEE INDIVIDUAL DRAWING
14	MT546126120	PIPE, 2.875"OD X 126"	12	37.21 LBS	PART NO. AND QTY SEE INDIVIDUAL DRAWING
15	MT-546-150	PIPE, 2.875"OD X 150"	6	72.67 LBS	PART NO. SEE INDIVIDUAL DRAWING
16	SFG2255	LABEL, SFG22HDX	3	0.04 LBS	

**ALLOWABLE TIEBACK ANGLE**

± 15 DEGREES VERTICAL  
± 25 DEGREES HORIZONTAL



COMMSCOPE, INC. OF NORTH CAROLINA				
TITLE MCG22HDX SECTOR FRAME SERIES				
SIZE <b>C</b>	SCALE <b>1:18</b>	DOCUMENT NO. <b>MCG22HDX</b>		
DRAWING		VERSION	STATUS	REVISION
		08	RE	F
				SHEET 3 OF 8

© 2024 CommScope, Inc. Confidential

4

3

2

1

4

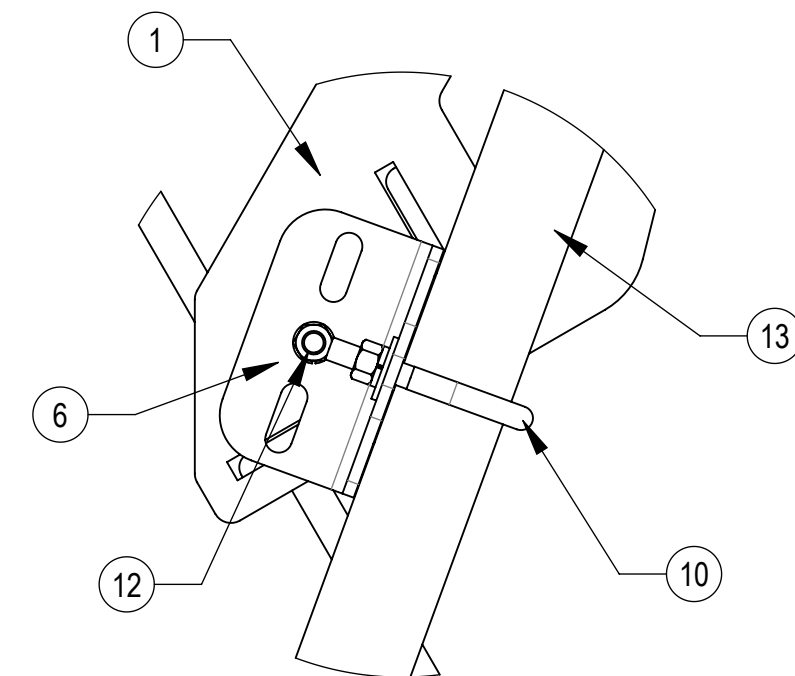
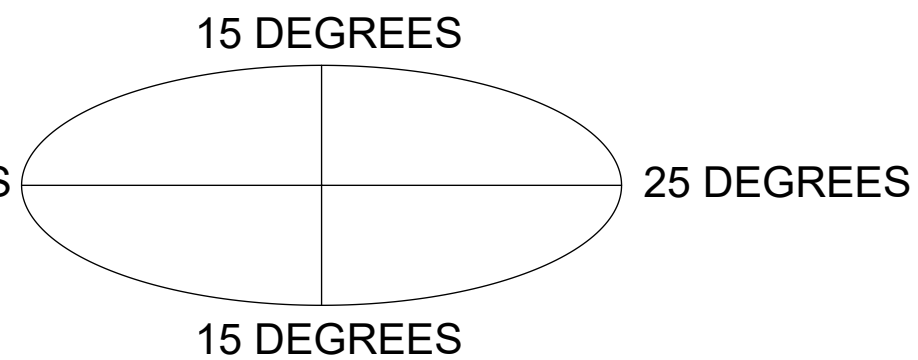
3

2

1

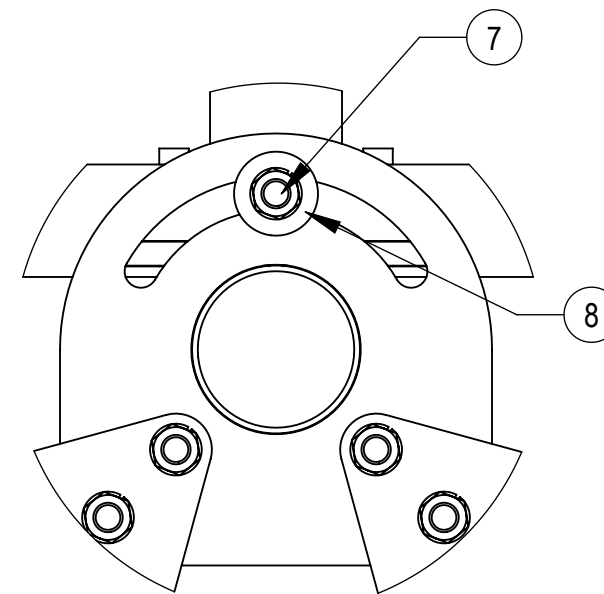
### ALLOWABLE TIEBACK ANGLE

±15 DEGREES VERTICAL  
±25 DEGREES HORIZONTAL

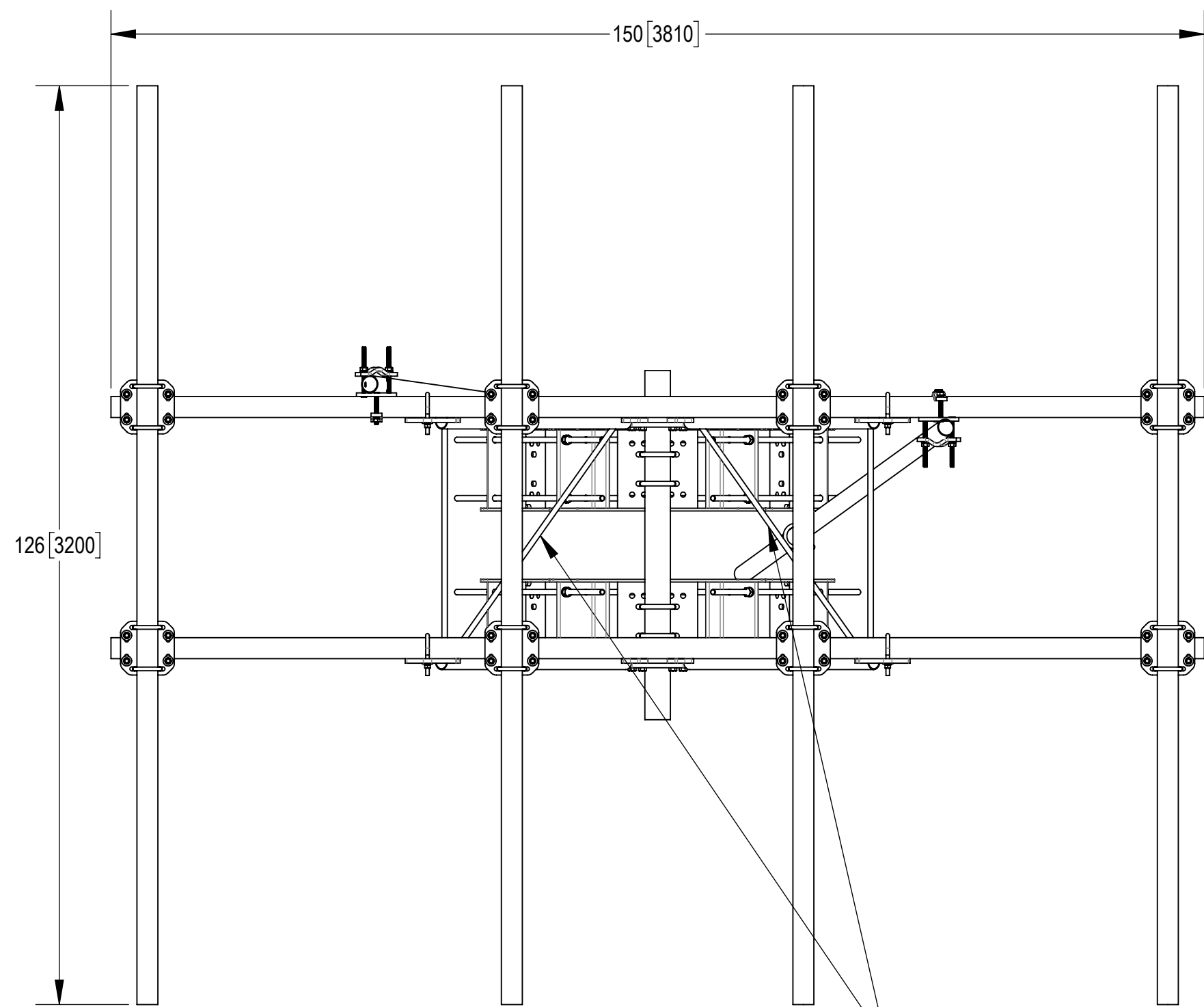
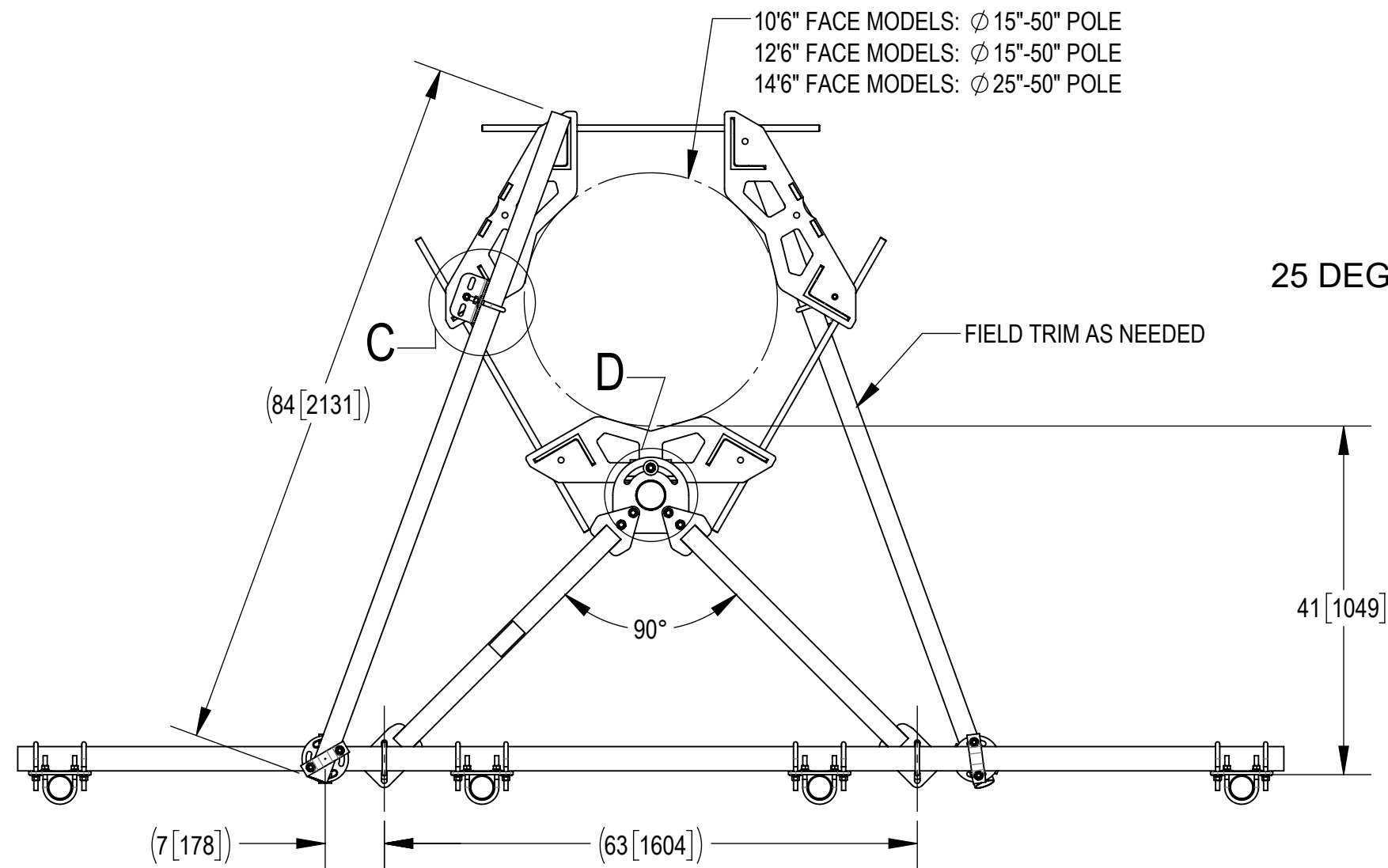


**DETAIL C**  
SCALE 1 : 4

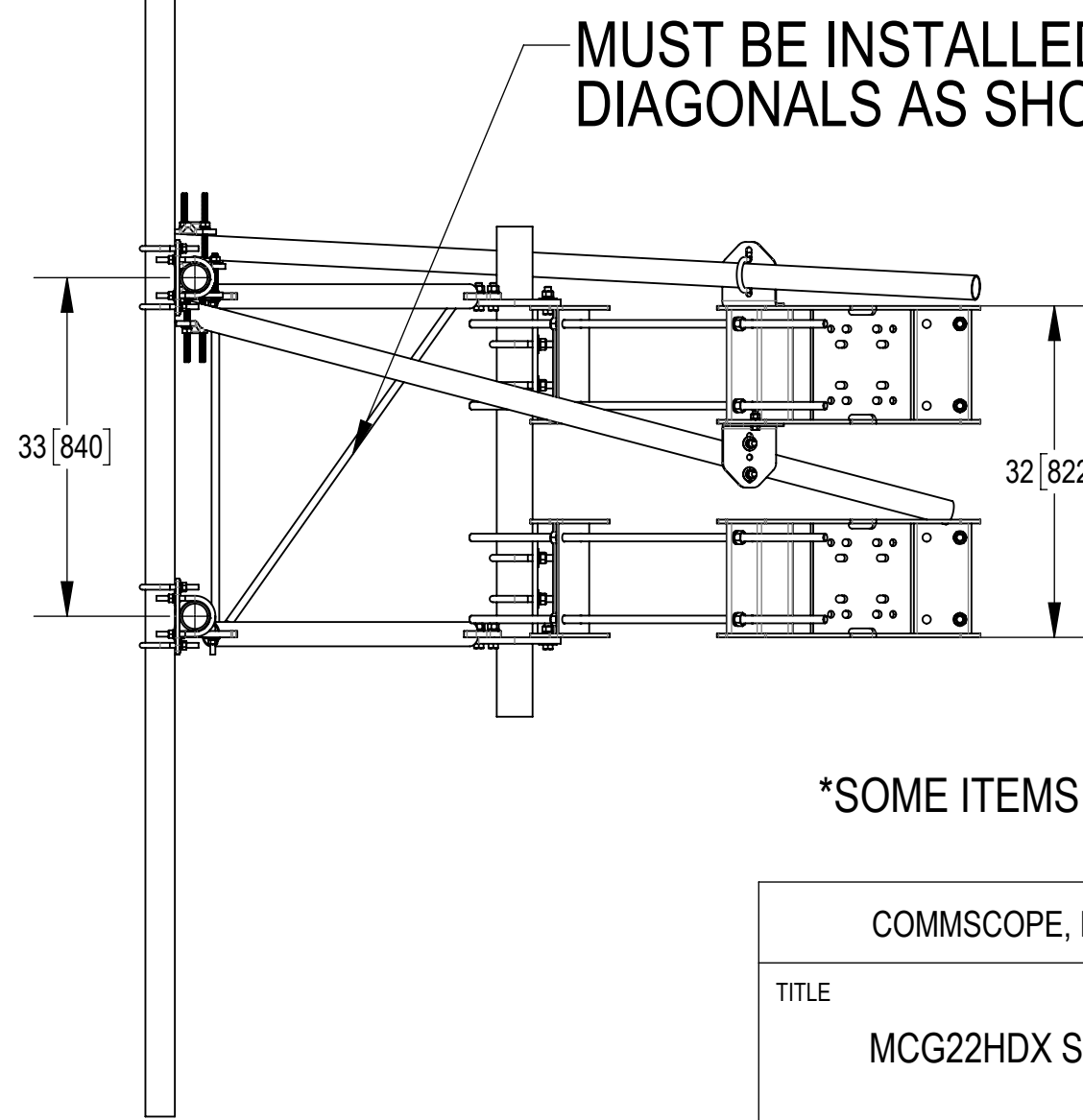
MCG22HDX-12M12-126 SHOWN FOR REFERENCE  
(NOT ALL CONFIGURATIONS INCLUDE ALL  
ITEMS SEE NOTES IN TABLE ON PAGE 3)



**DETAIL D**  
SCALE 1 : 4



TOP  
BOTTOM



\*SOME ITEMS OMITTED FOR CLARITY\*

**MUST BE INSTALLED WITH  
DIAGNALS AS SHOWN**

COMMSCOPE, INC. OF NORTH CAROLINA				
TITLE MCG22HDX SECTOR FRAME SERIES				
SIZE <b>C</b>	SCALE <b>1:20</b>	DOCUMENT NO. MCG22HDX		
DRAWING		VERSION	STATUS	REVISION
		08	RE	F
				SHEET 4 OF 8

4

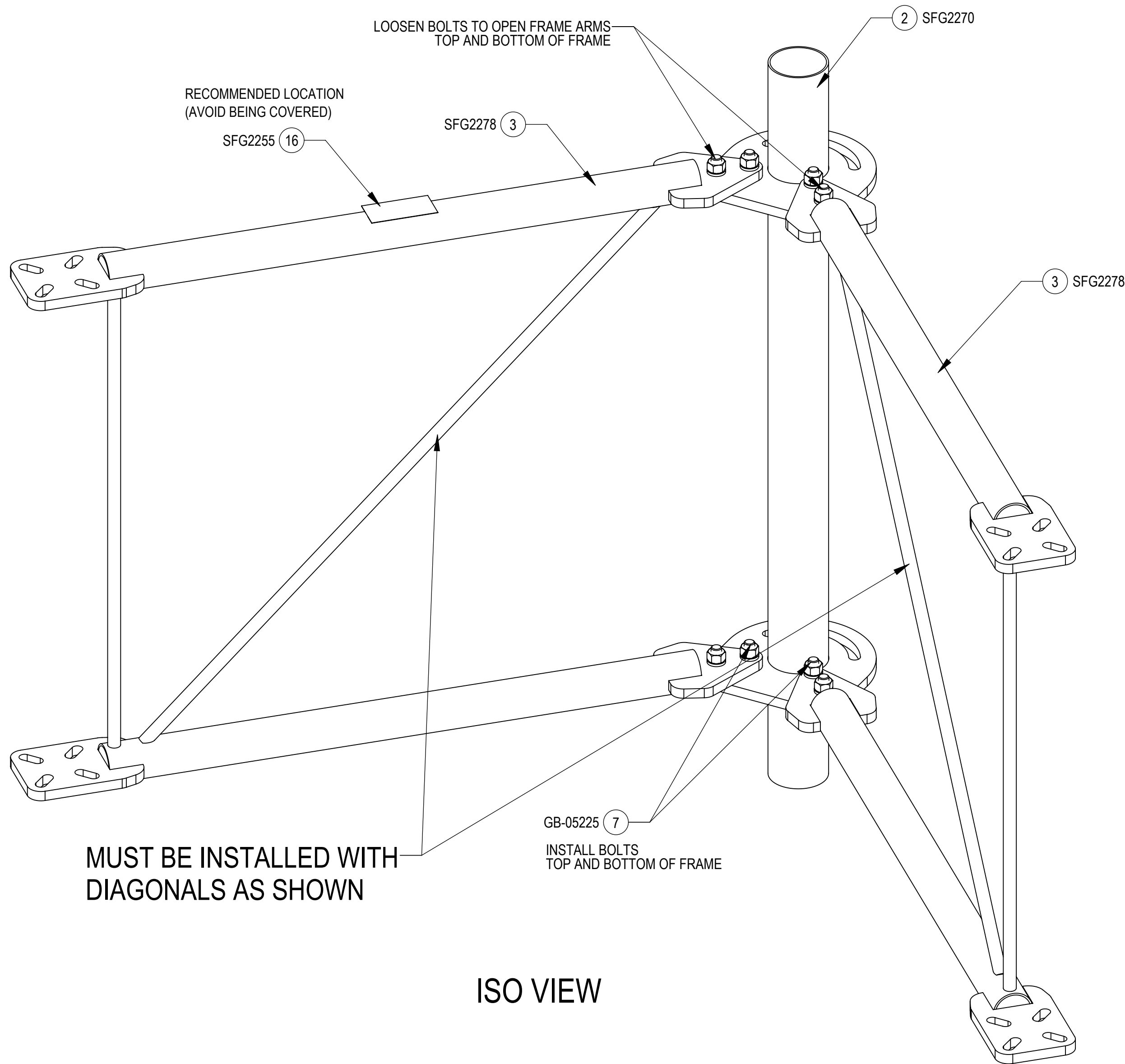
3

2

1

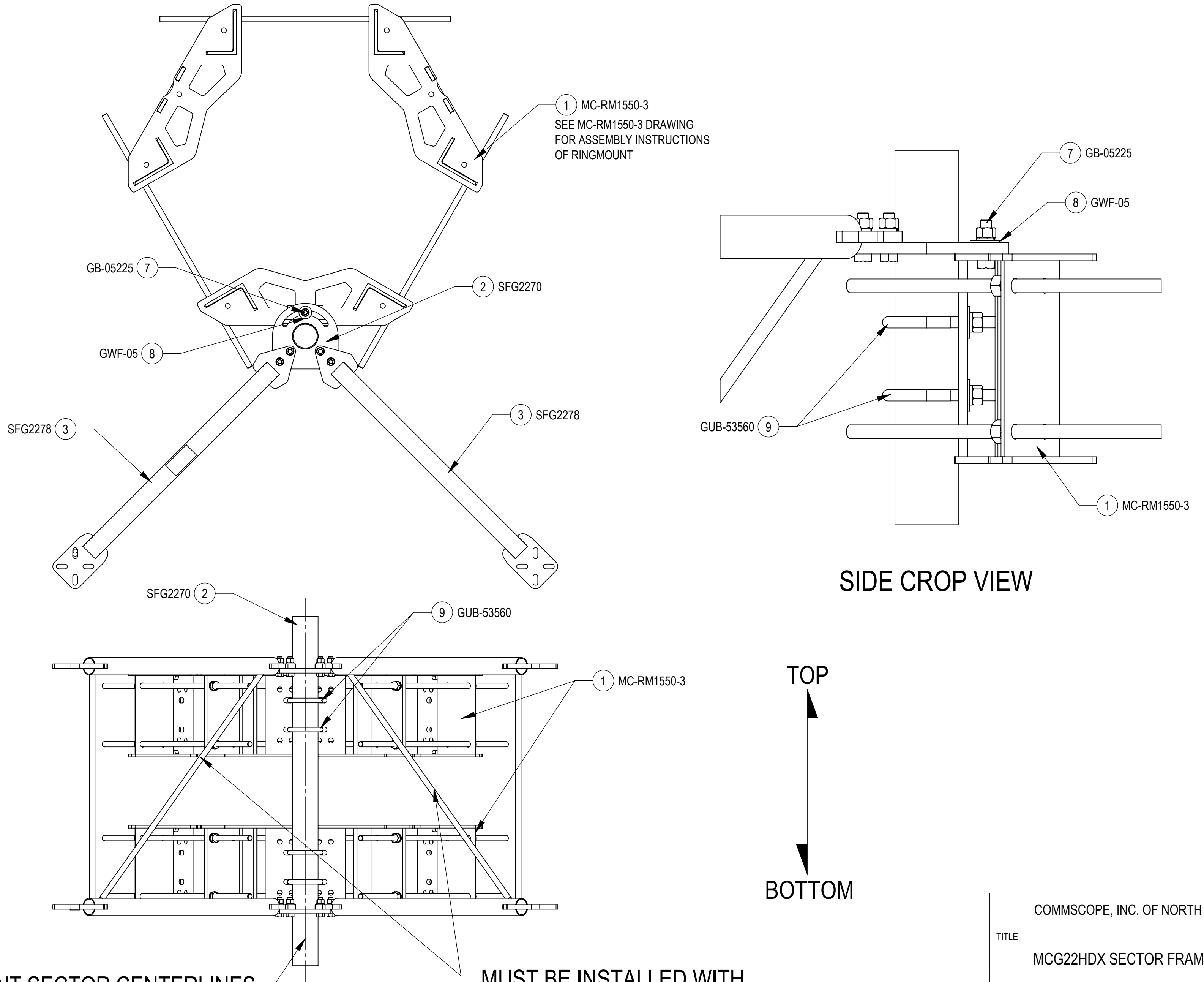
INSTALLATION SEQUENCE - REFERENCE ONLY

STEP 1: LOOSEN BOLT KITS (GB-05225) TO OPEN FRAME SUPPORT ARMS. INSTALL ADDITIONAL 4X BOLT KITS (GB-05225). ATTACH LABEL (SFG2255) ON TOP OF STANDOFF ARMS (SFG2278). (WIPE GALVANIZED SURFACE WITH ALCOHOL CLEANER BEFORE APPLYING LABEL)



COMMSCOPE, INC. OF NORTH CAROLINA				
TITLE MCG22HDX SECTOR FRAME SERIES				
SIZE C	SCALE 1:32	DOCUMENT NO. MCG22HDX		
		DRAWING		SHEET 5 OF 8
		VERSION 08	STATUS RE	

STEP 2: ATTACH BACK VERTICAL ARM MOUNT (SFG2270) TO RINGMOUNT (MC-RM1550-3) USING BOLT KITS (GB-05225), FLAT WASHERS (GWF-05) AND U-BOLTS (GUB-53560).



SIDE CROP VIEW

TOP  
 ↓  
 BOTTOM

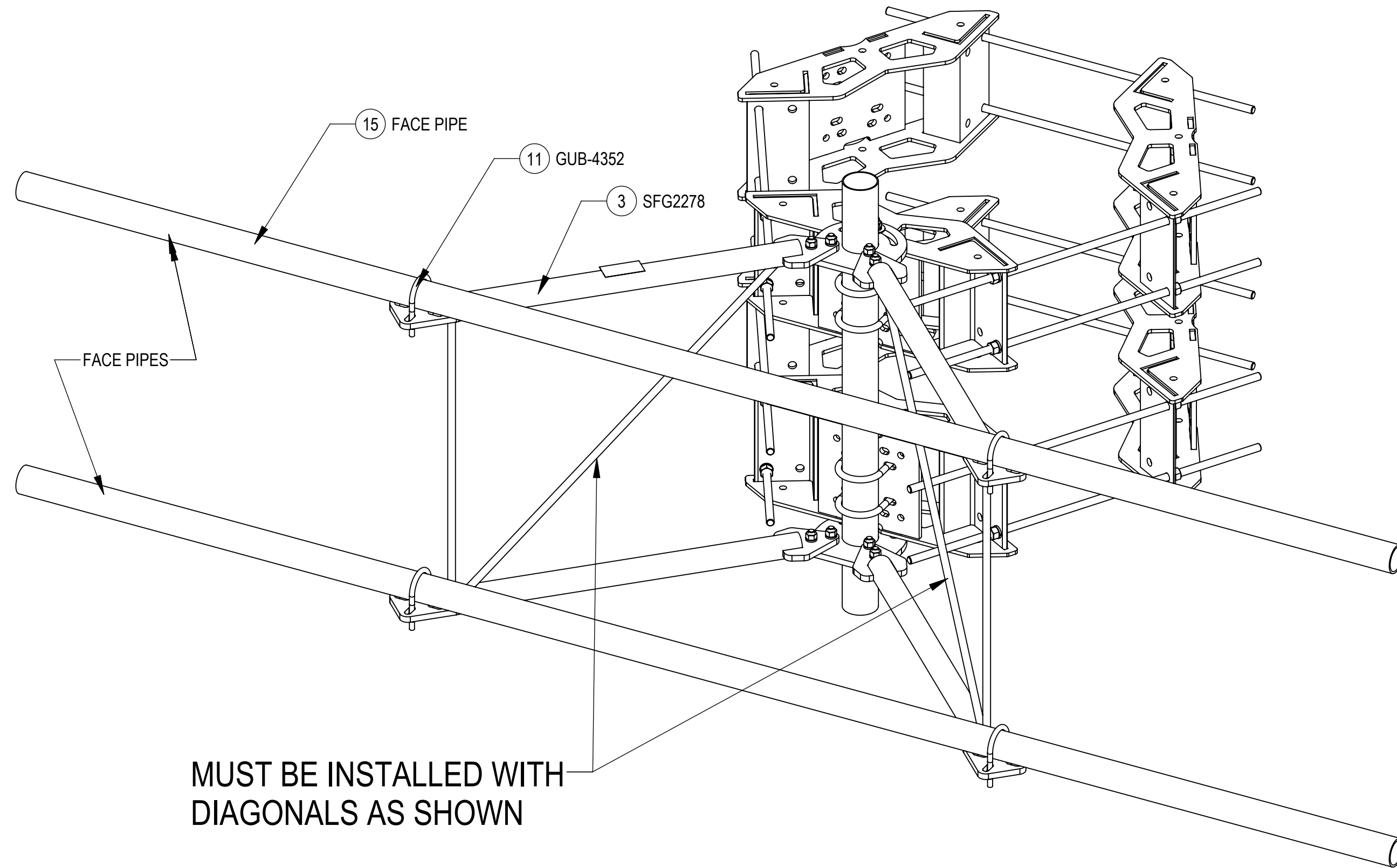
RINGMOUNT SECTOR CENTERLINES  
 MUST VERTICALLY ALIGN TO ALLOW  
 SECTOR FRAME SPINE PROPER MOUNTING

MUST BE INSTALLED WITH  
 DIAGONALS AS SHOWN

COMMSCOPE, INC. OF NORTH CAROLINA				
TITLE MCG22HDX SECTOR FRAME SERIES				
SIZE C	SCALE 1:32	DOCUMENT NO. MCG22HDX		
		DRAWING		SHEET
		VERSION	STATUS	REVISION
		08	RE	F
				6 OF 8

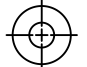
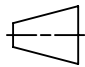


STEP 3: ATTACH FACE PIPES TO STANDOFF ARMS (SFG2278) USING U-BOLTS (GUB-4352)

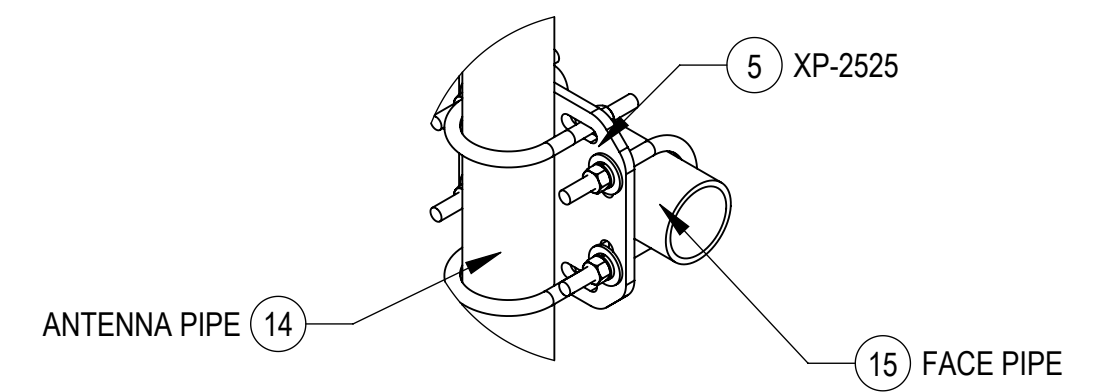
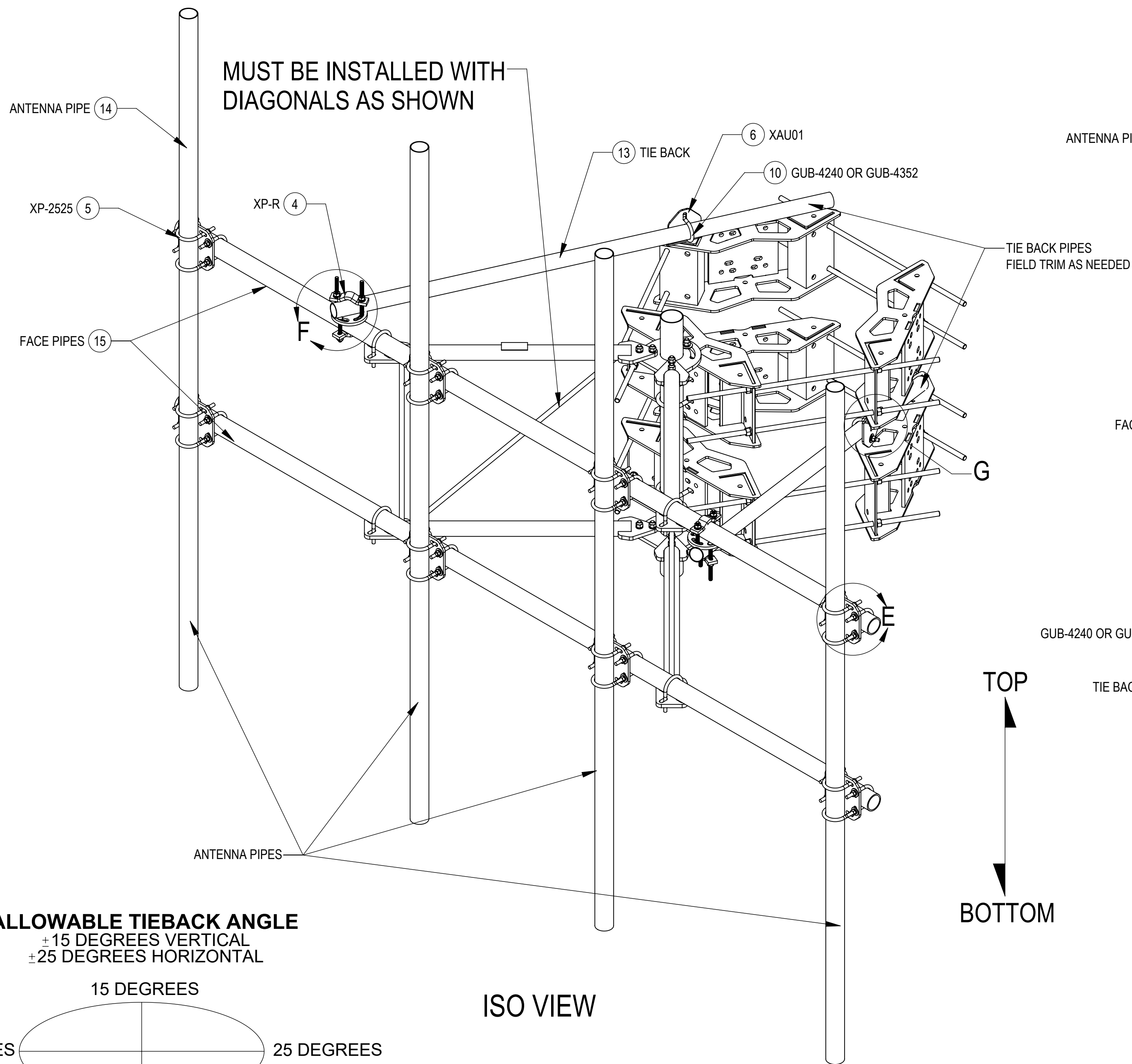


ISO VIEW

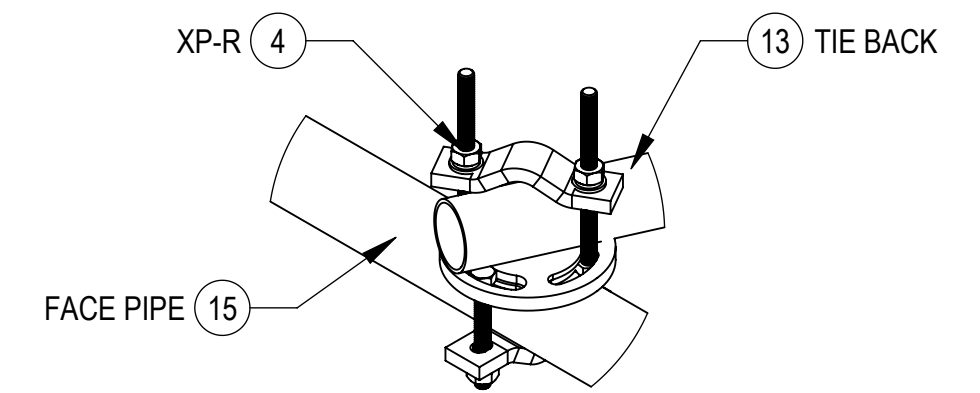
\*SOME ITEMS OMITTED FOR CLARITY\*

COMMSCOPE, INC. OF NORTH CAROLINA					
TITLE MCG22HDX SECTOR FRAME SERIES					
SIZE C	SCALE 1:10	DOCUMENT NO. MCG22HDX			
 		DRAWING			SHEET 7 OF 8
		VERSION 08	STATUS RE	REVISION F	

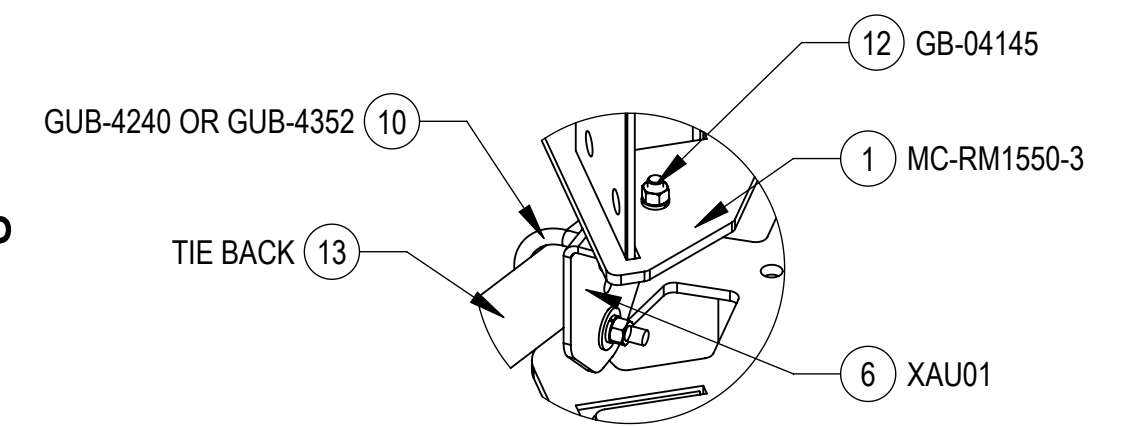
STEP 4: ATTACH ANTENNA PIPES TO FACE PIPES USING CROSSOVER PLATE KITS(XP-2525).  
 ATTACH TIE BACK PIPES TO FACE PIPES USING ROUND CROSSOVER PLATE KITS (XP-R).



DETAIL E  
SCALE 1 : 6



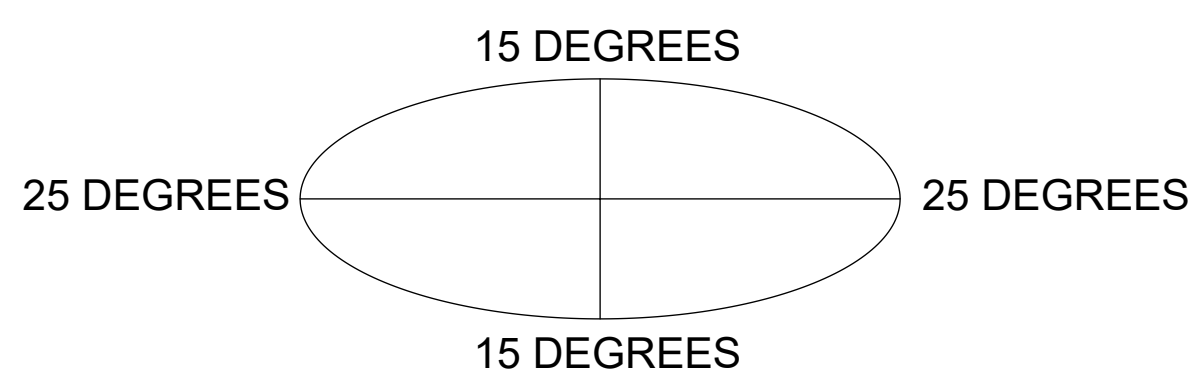
DETAIL F  
SCALE 1 : 6



DETAIL G  
SCALE 1 : 6

\*SOME ITEMS OMITTED FOR CLARITY\*

**ALLOWABLE TIEBACK ANGLE**  
 ±15 DEGREES VERTICAL  
 ±25 DEGREES HORIZONTAL



COMMSCOPE, INC. OF NORTH CAROLINA				
TITLE MCG22HDX SECTOR FRAME SERIES				
SIZE C	SCALE 1:10	DOCUMENT NO. MCG22HDX		
DRAWING		VERSION	STATUS	REVISION
		08	RE	F
				SHEET 8 OF 8