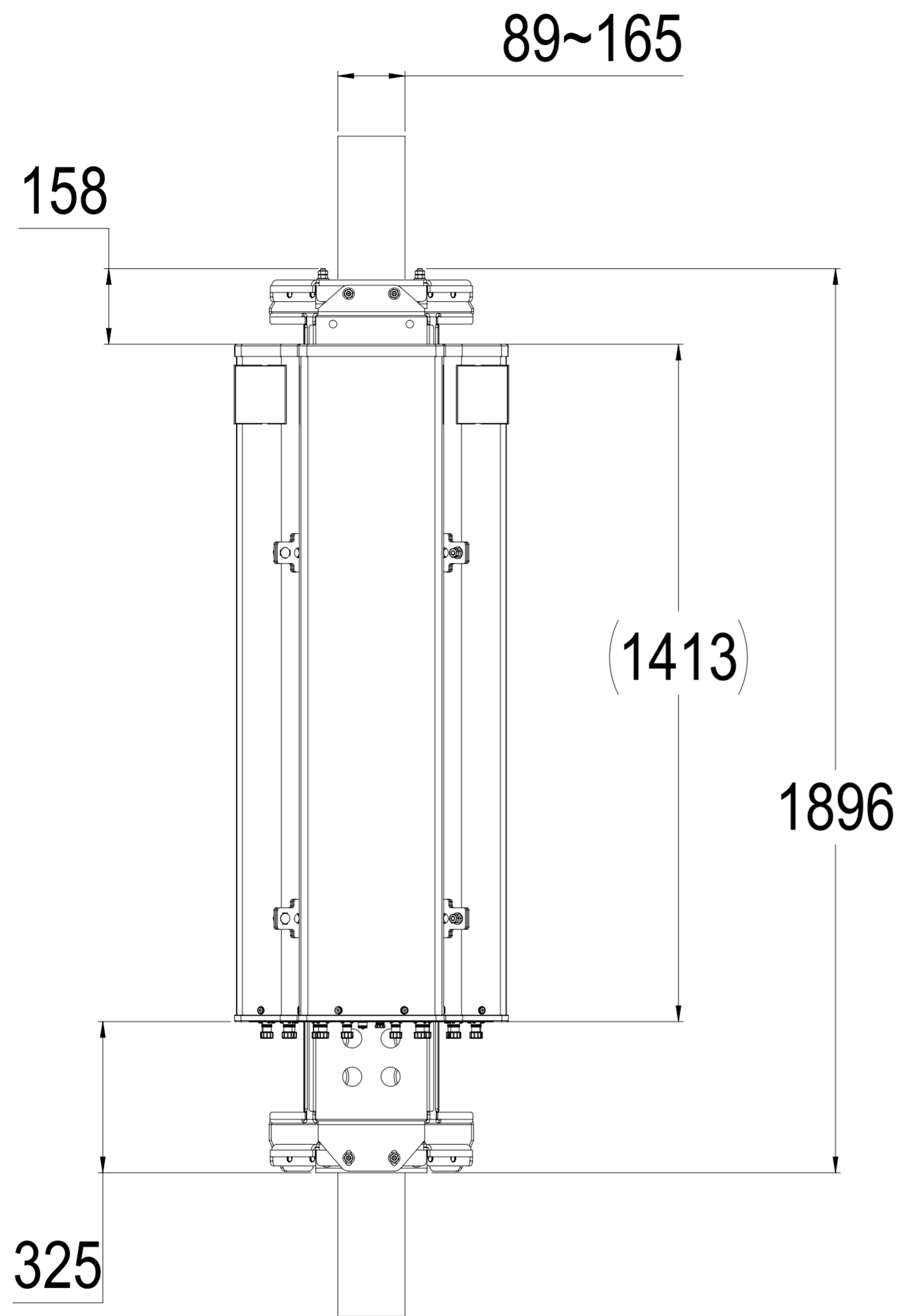
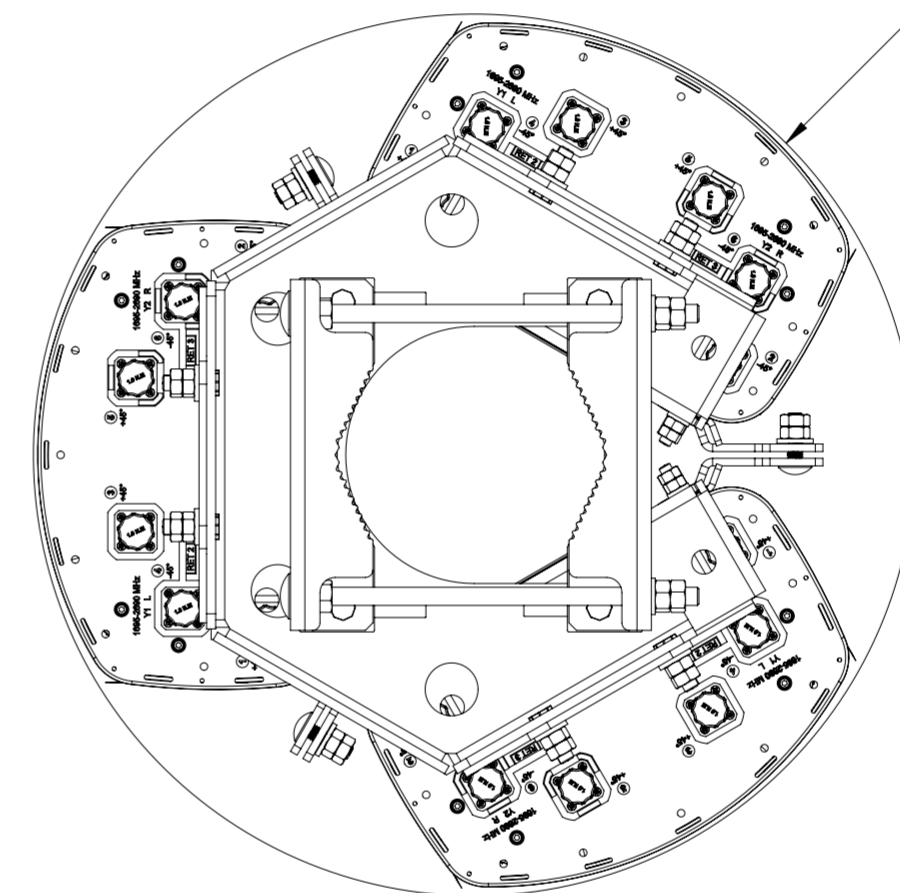


REVISIONS			
REV.	DESCRIPTION	DATE	APPROVED
A	ECR 17079: REL TO PRODUCTION PER EAO 610619.	16MAY22 GB	CM/UK



Max \varnothing 597
Nominal \varnothing 578



COMMSCOPE, INC. OF NORTH CAROLINA

TOLERANCES		SAP MATERIAL MASTER																										
0 PLACE .X ±	2 PLACE .XX ±																											
1 PLACE .X ±	ANGLES ±																											
FINISH		MATERIAL																										
<small>UNLESS OTHERWISE SPECIFIED DIMENSIONS ARE IN MILLIMETERS INTERPRET PER ISO STANDARDS HANDBOOK TECHNICAL DRAWINGS VOLUMES 1 & 2, THIRD EDITION (2002)</small>		<table border="1"> <thead> <tr> <th>NAME</th> <th>DATE</th> <th>TITLE</th> </tr> </thead> <tbody> <tr> <td>CE GBANDEKAR</td> <td>05/16/2022</td> <td rowspan="2">FVV-65A-3XKIT-L</td> </tr> <tr> <td>RW GBANDEKAR</td> <td>05/27/2022</td> </tr> <tr> <td>AD CM1117</td> <td>05/28/2022</td> <td></td> </tr> <tr> <td>RE RK1070</td> <td>06/03/2022</td> <td></td> </tr> <tr> <td colspan="2">ECN 17079PC</td> <td>SCALE</td> <td>DOCUMENT NO.</td> </tr> <tr> <td colspan="2"></td> <td>1:10</td> <td>FVV-65A-3XKIT-L</td> </tr> </tbody> </table>		NAME	DATE	TITLE	CE GBANDEKAR	05/16/2022	FVV-65A-3XKIT-L	RW GBANDEKAR	05/27/2022	AD CM1117	05/28/2022		RE RK1070	06/03/2022		ECN 17079PC		SCALE	DOCUMENT NO.			1:10	FVV-65A-3XKIT-L			
NAME	DATE	TITLE																										
CE GBANDEKAR	05/16/2022	FVV-65A-3XKIT-L																										
RW GBANDEKAR	05/27/2022																											
AD CM1117	05/28/2022																											
RE RK1070	06/03/2022																											
ECN 17079PC		SCALE	DOCUMENT NO.																									
		1:10	FVV-65A-3XKIT-L																									
<table border="1"> <thead> <tr> <th>SIZE</th> <th>Auth Group</th> <th>BSA</th> <th>MODEL</th> <th colspan="3">DRAWING</th> <th>SHEET</th> </tr> <tr> <th>VERSION</th> <th>STATUS</th> <th>REVISION</th> <th>VERSION</th> <th>STATUS</th> <th>REVISION</th> <th></th> </tr> </thead> <tbody> <tr> <td>A2</td> <td></td> <td></td> <td>00</td> <td>RE</td> <td>A</td> <td>00</td> <td>RE</td> <td>A</td> <td>1 OF 1</td> </tr> </tbody> </table>		SIZE	Auth Group	BSA	MODEL	DRAWING			SHEET	VERSION	STATUS	REVISION	VERSION	STATUS	REVISION		A2			00	RE	A	00	RE	A	1 OF 1		
SIZE	Auth Group	BSA	MODEL	DRAWING			SHEET																					
VERSION	STATUS	REVISION	VERSION	STATUS	REVISION																							
A2			00	RE	A	00	RE	A	1 OF 1																			