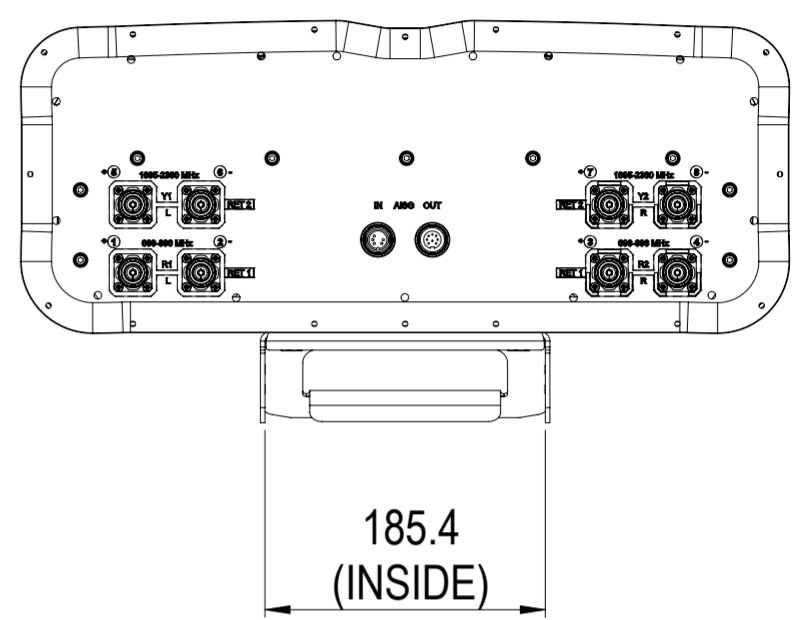
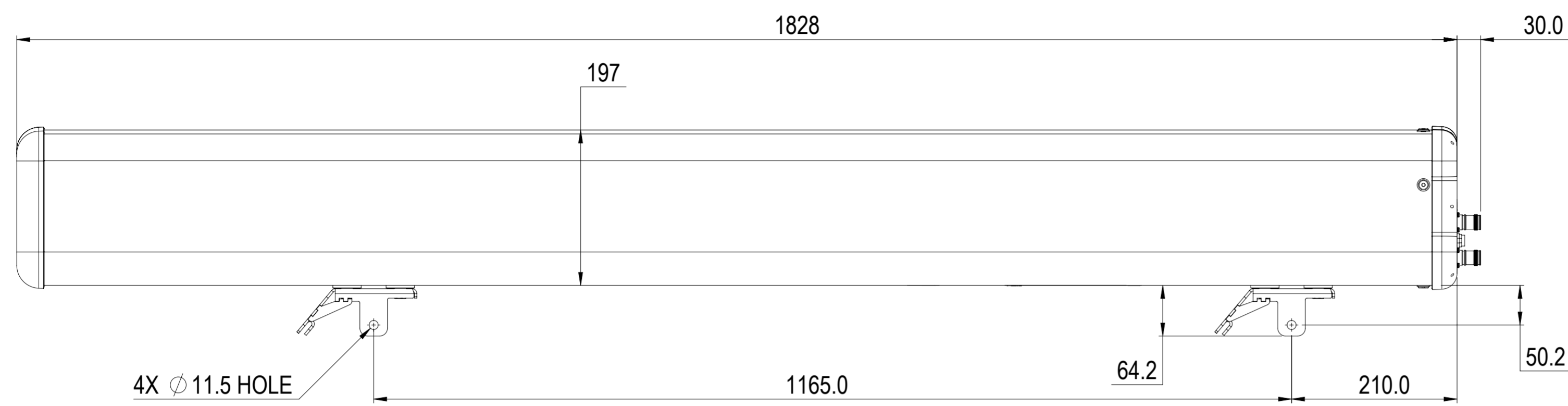


1 2 3 4 5 6 7 8 9 10 11 12

REVISIONS			
REV.	DESCRIPTION	DATE	APPROVED
A	ECR 40154078CMO : RELEASE TO PRODUCTION PER EAO 611324.	20SEP22 RGN	KR/VL



NNHH-65B-R2

COMMSCOPE, INC. OF NORTH CAROLINA

TOLERANCES		SAP MATERIAL MASTER	
0 PLACE X ±	2 PLACE .XX ±		
1 PLACE .X ±	ANGLES ±		
FINISH		MATERIAL	
UNLESS OTHERWISE SPECIFIED DIMENSIONS ARE IN MILLIMETERS INTERPRET PER ISO STANDARDS HANDBOOK TECHNICAL DRAWINGS VOLUMES 1 & 2, THIRD EDITION (2002)		PRODUCT DRAWING	
CE	RNAIK4	22SEP2022	
RW	TNAIK1	09/22/2022	
AD	RK1074	09/23/2022	
RE	RK1070	09/23/2022	
ECN 40154078CMO		SCALE	DOCUMENT NO.
		1:5	NNHH-65B-R2-L
SIZE	WORK AREA	BSA	MODEL
A2			VERSION STATUS REVISION
		VERSION STATUS REVISION	DRAWING
		00 RE A	00 RE A
			SHEET
			1 OF 1

DENSITY	g/mm <sup>3</sup>
MASS	kg
VOLUME	mm <sup>3</sup>
SURFACE AREA	mm <sup>2</sup>
HEIGHT	
LENGTH	
WIDTH	

1 2 3 4 5 6 7 8 9 10 11 12