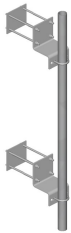


MT-223



Backing Plate Kit

Product Classification

Product Type Wall mount kit

General Specifications

Mounting Walls

Dimensions

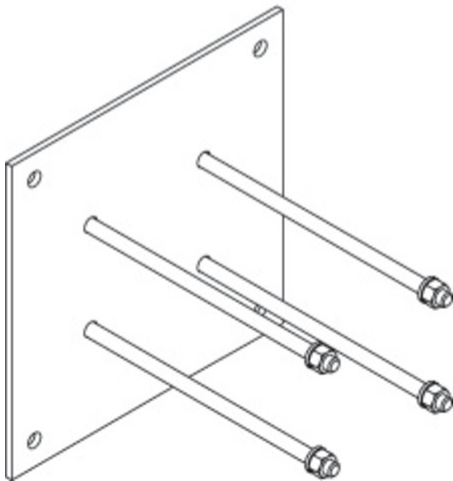
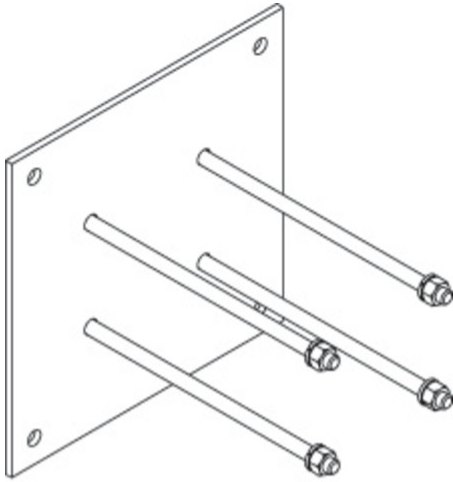
Height 254 mm | 10 in

Width 304.8 mm | 12 in

Length 304.8 mm | 12 in

MT-223

Outline Drawing



Material Specifications

Material Type Hot dip galvanized steel

Mechanical Specifications

Wind Rating For Specifications, please contact your local ANDREW representative

Packaging and Weights

Included Backing plates or anchors | Wall brackets (2)

Packaging quantity 2

Weight, net 10.5 kg | 23.149 lb

MT-223

Regulatory Compliance/Certifications

Agency

ISO 9001:2015

Classification

Designed, manufactured and/or distributed under this quality management system

* Footnotes

Wind Rating

BWS—Base Wind Speed; FBC—Florida Building Code