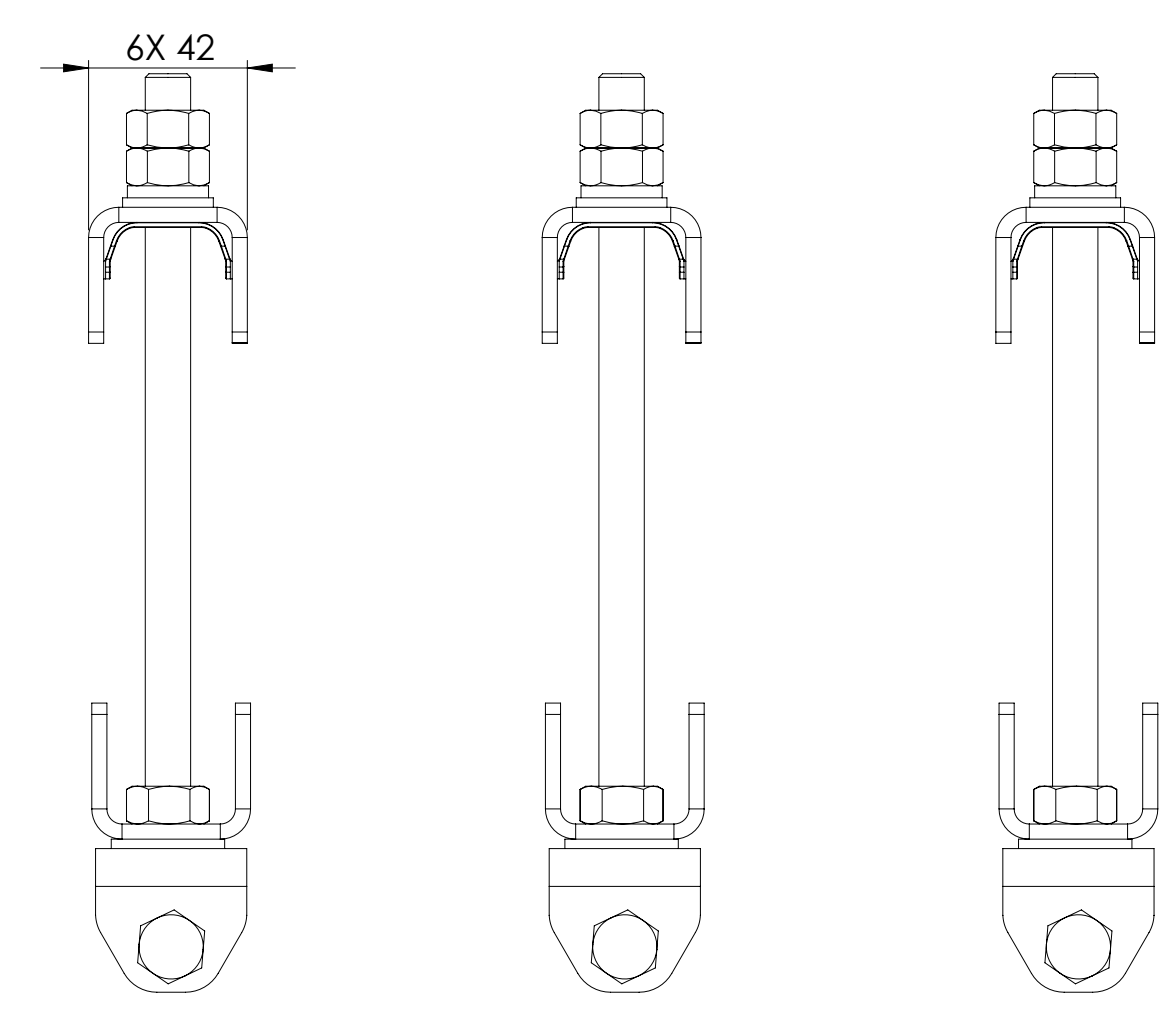
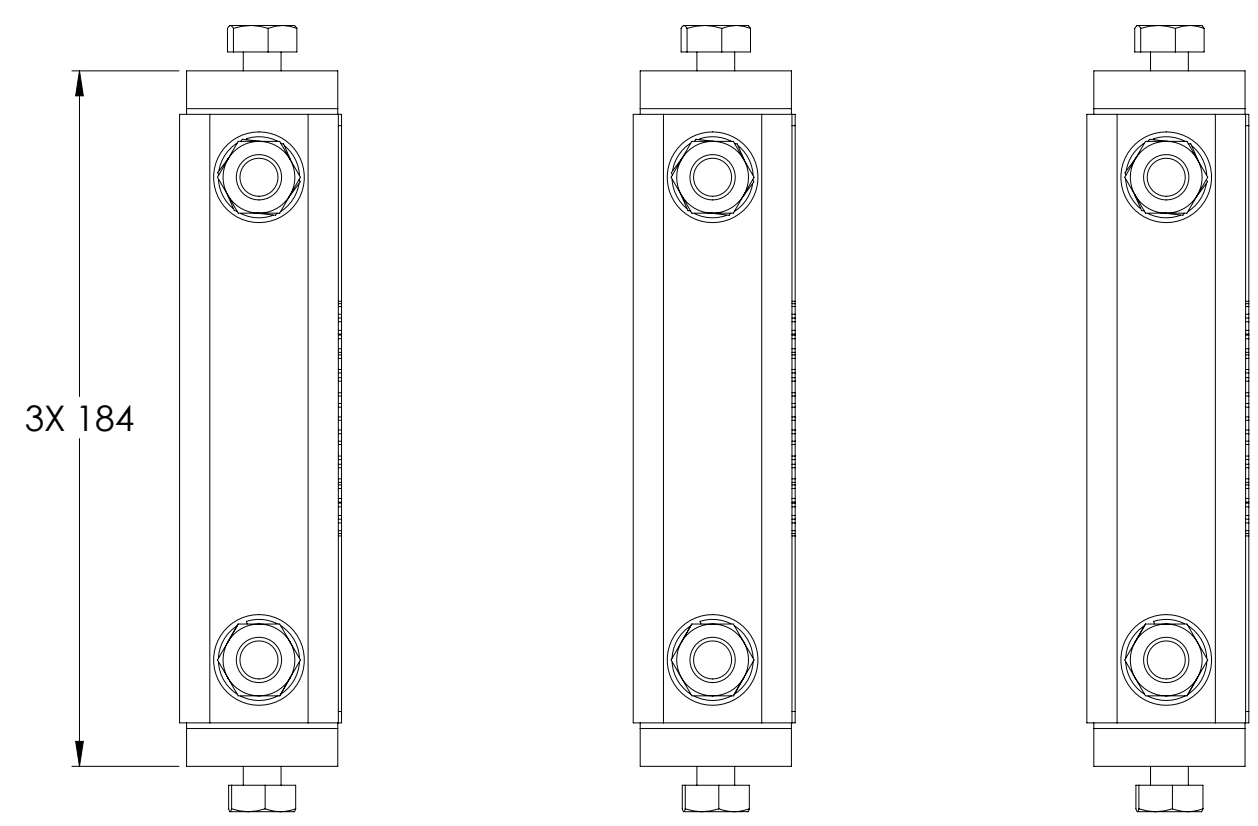
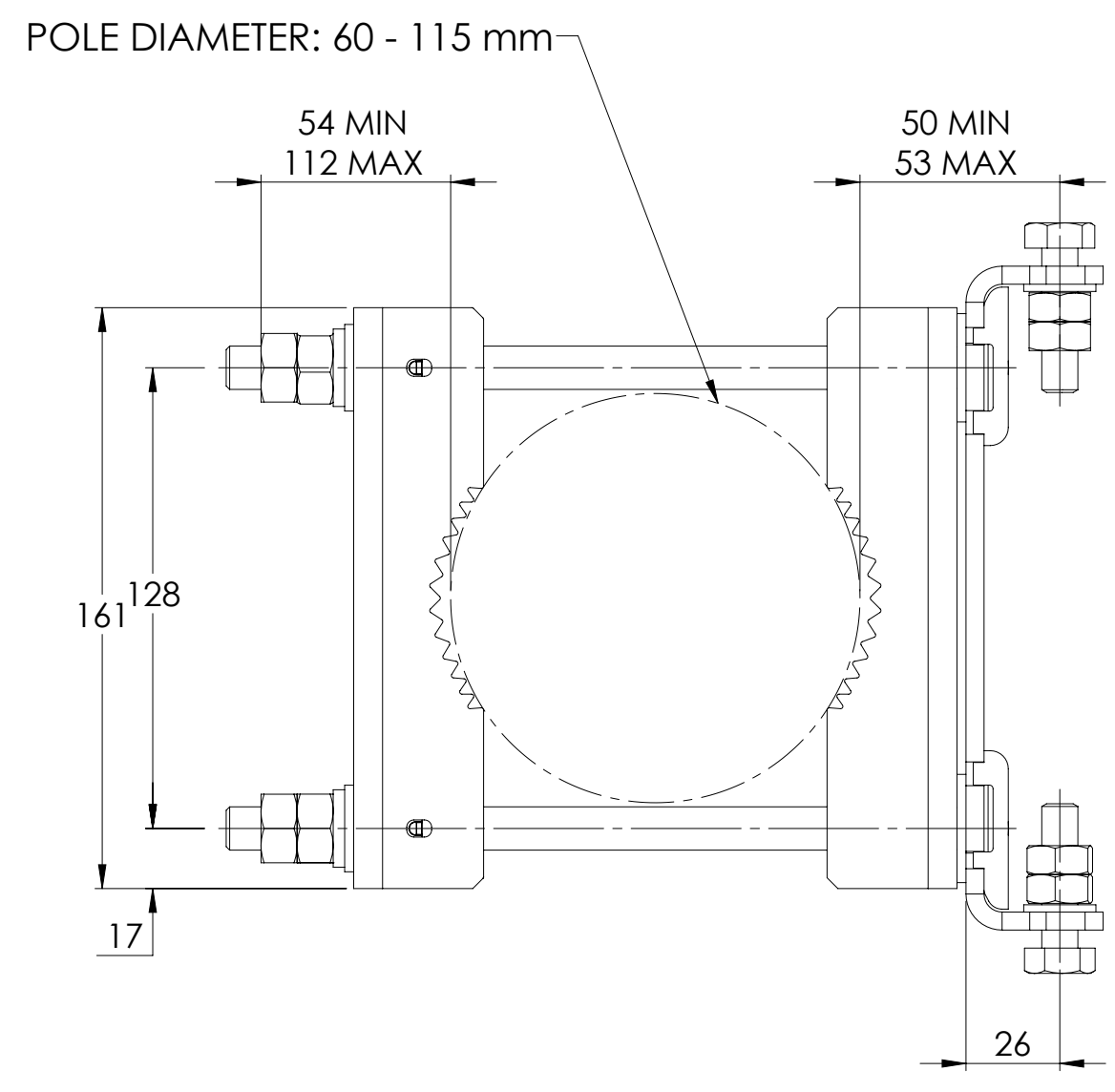


REVISIONS			
REV.	DESCRIPTION	DATE	APPROVED
A	ECR 40156924CMO: RELEASE TO PRODUCTION PER EAO 611593.	15SEP22 NH	RR/AA
B	ECR 40158025CMO: DRAWING UPDATED AS PER LATEST MODEL.	03OCT22 NH	RT/AA
C	ECR 40159240CMO: DRAWING UPDATED AS PER LATEST MODEL.	20OCT22 NH	RT/AA
D	ECR 40159907CMO: DRAWING UPDATED AS PER LATEST MODEL.	01NOV22 NH	RT/AA
E	ECR 40162356CMO: DRAWING UPDATED AS PER LATEST MODEL.	07DEC22 NH	RT/AA



BSAMNT-3F



COMMSCOPE, INC. OF NORTH CAROLINA

TOLERANCES		SAP MATERIAL MASTER	
0 PLACE X ±	2 PLACE .XX ±		
1 PLACE .X ±	ANGLES ±		
FINISH N/A	MATERIAL N/A		

NAME	DATE	TITLE
CE NH1031	08AUG2022	MNT-KIT, FIXED, 3 POINT
RW NH1031	12/07/2022	
AD RT1047	12/07/2022	
RE DL1048	12/08/2022	
ECN 40162356CMO		

SCALE: 1:2 DOCUMENT NO. BSAMNT-3F-L

DENSITY	g/mm ³
MASS	grams
VOLUME	mm ³
SURFACE AREA	mm ²
HEIGHT	
LENGTH	
WIDTH	

SIZE	Auth Group	BSA	MODEL			DRAWING			SHEET
A2			VERSION	STATUS	REVISION	VERSION	STATUS	REVISION	1 OF 1
			04	RE	E	04	RE	E	