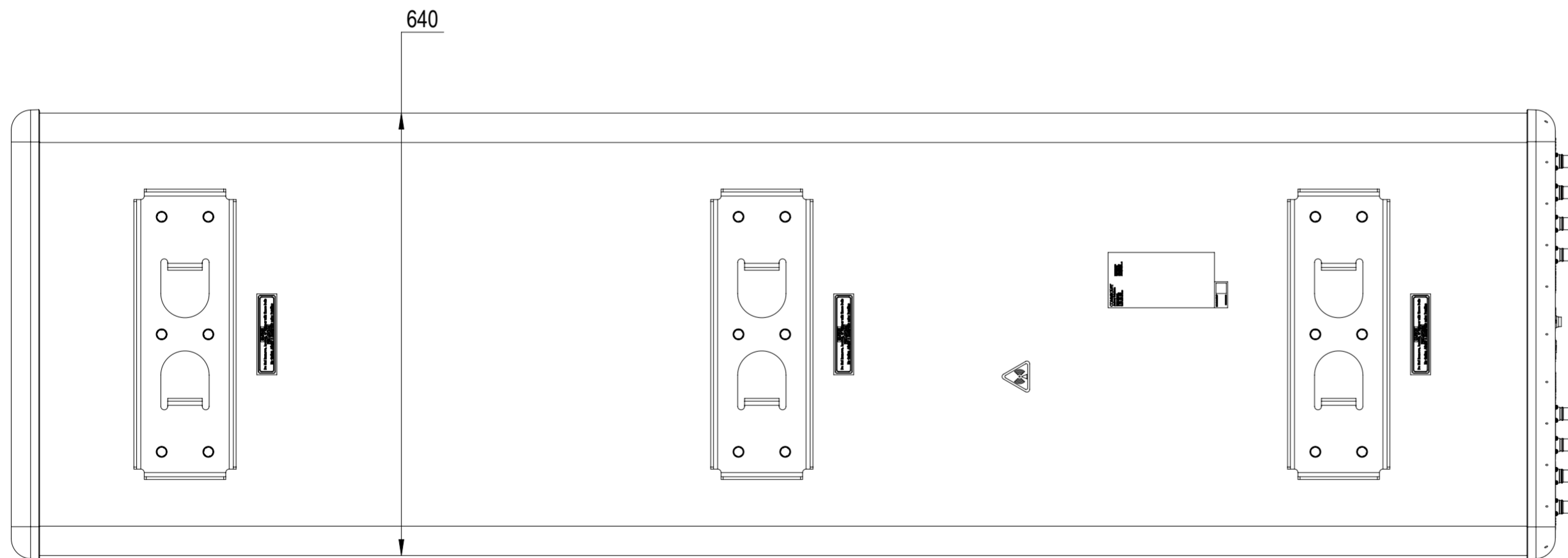
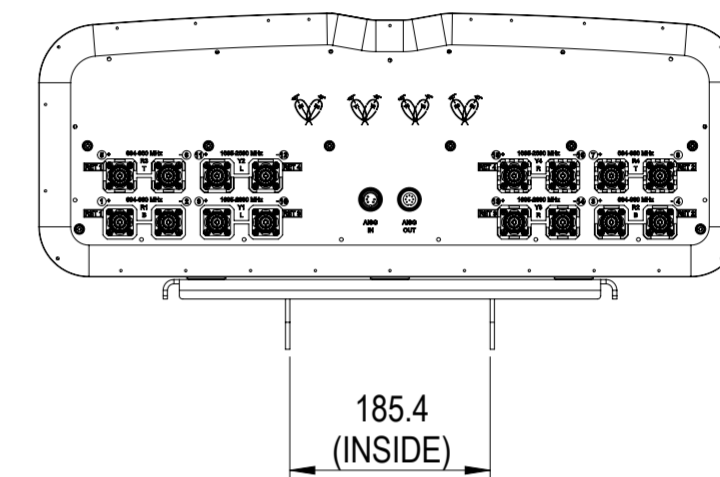
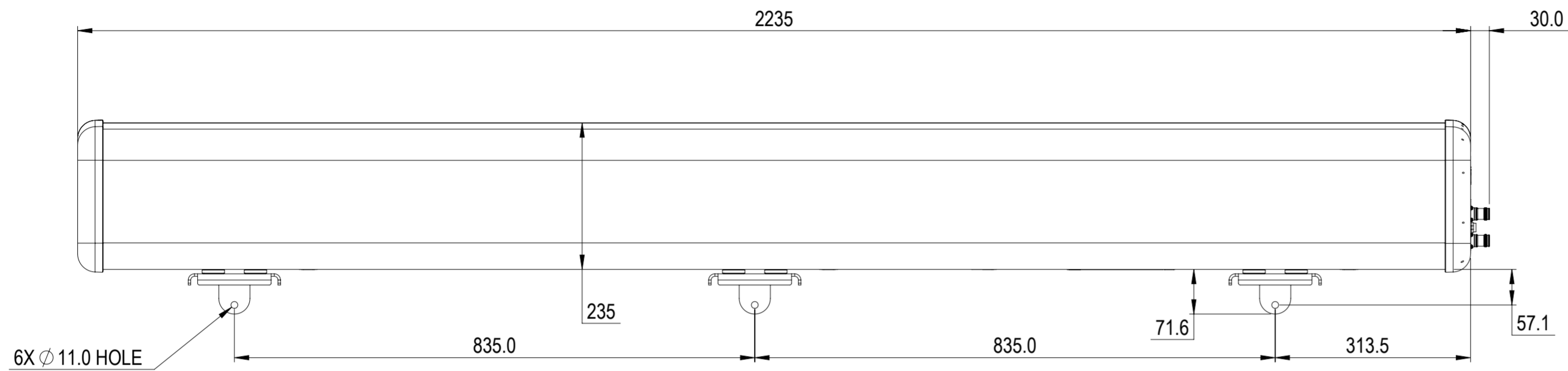


REVISIONS			
REV.	DESCRIPTION	DATE	APPROVED
A	ECR 40153715CMO: RELEASE TO PRODUCTION PER EAO 611151.	23NOV22 SBK	VS/AR



2RR2VV-33C-R4

**COMMSCOPE, INC. OF NORTH CAROLINA**

TOLERANCES		SAP MATERIAL MASTER																									
0 PLACE X ±	2 PLACE .XX ±																										
1 PLACE .X ±	ANGLES ±																										
FINISH		MATERIAL																									
<b>PRODUCT DRAWING</b>																											
<small>UNLESS OTHERWISE SPECIFIED DIMENSIONS ARE IN MILLIMETERS INTERPRET PER ISO STANDARDS HANDBOOK TECHNICAL DRAWINGS VOLUMES 1 &amp; 2, THIRD EDITION (2002)</small>		<table border="1"> <thead> <tr> <th>NAME</th> <th>DATE</th> <th>TITLE</th> </tr> </thead> <tbody> <tr> <td>CE SK1195</td> <td>11/23/2022</td> <td rowspan="4" style="text-align: center; vertical-align: middle;"><b>2RR2VV-33C-R4-L</b></td> </tr> <tr> <td>RW SK1195</td> <td>11/25/2022</td> </tr> <tr> <td>AD VS1101</td> <td>11/25/2022</td> </tr> <tr> <td>RE RK1070</td> <td>11/28/2022</td> </tr> </tbody> </table>		NAME	DATE	TITLE	CE SK1195	11/23/2022	<b>2RR2VV-33C-R4-L</b>	RW SK1195	11/25/2022	AD VS1101	11/25/2022	RE RK1070	11/28/2022												
NAME	DATE	TITLE																									
CE SK1195	11/23/2022	<b>2RR2VV-33C-R4-L</b>																									
RW SK1195	11/25/2022																										
AD VS1101	11/25/2022																										
RE RK1070	11/28/2022																										
ECN 40153715CMO		SCALE <b>1:7</b>	DOCUMENT NO.																								
<table border="1"> <thead> <tr> <th>SIZE</th> <th>Auth Group</th> <th>BSA</th> <th>MODEL</th> <th colspan="3">DRAWING</th> <th>SHEET</th> </tr> </thead> <tbody> <tr> <td rowspan="2"><b>A2</b></td> <td rowspan="2"></td> <td rowspan="2"></td> <td>VERSION</td> <td>STATUS</td> <td>REVISION</td> <td>VERSION</td> <td>STATUS</td> <td>REVISION</td> <td rowspan="2">1 OF 1</td> </tr> <tr> <td>00</td> <td>RE</td> <td>A</td> <td>00</td> <td>RE</td> <td>A</td> </tr> </tbody> </table>		SIZE	Auth Group	BSA	MODEL	DRAWING			SHEET	<b>A2</b>			VERSION	STATUS	REVISION	VERSION	STATUS	REVISION	1 OF 1	00	RE	A	00	RE	A		
SIZE	Auth Group	BSA	MODEL	DRAWING			SHEET																				
<b>A2</b>			VERSION	STATUS	REVISION	VERSION	STATUS	REVISION	1 OF 1																		
			00	RE	A	00	RE	A																			

DENSITY	g/mm <sup>3</sup>
MASS	grams
VOLUME	mm <sup>3</sup>
SURFACE AREA	mm <sup>2</sup>
HEIGHT	
LENGTH	
WIDTH	