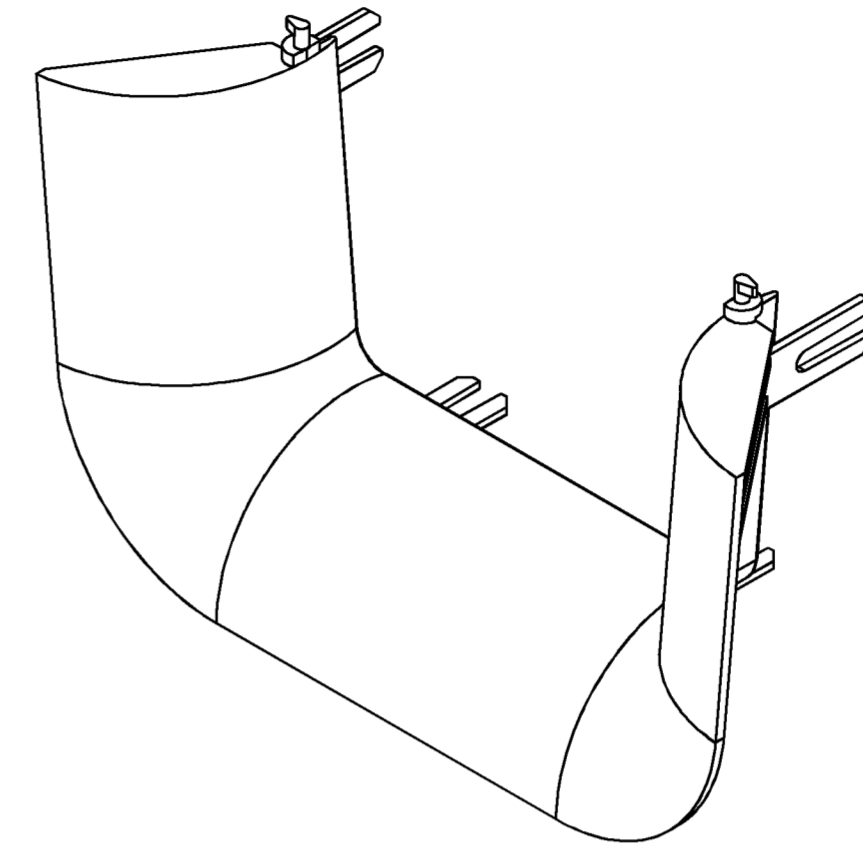
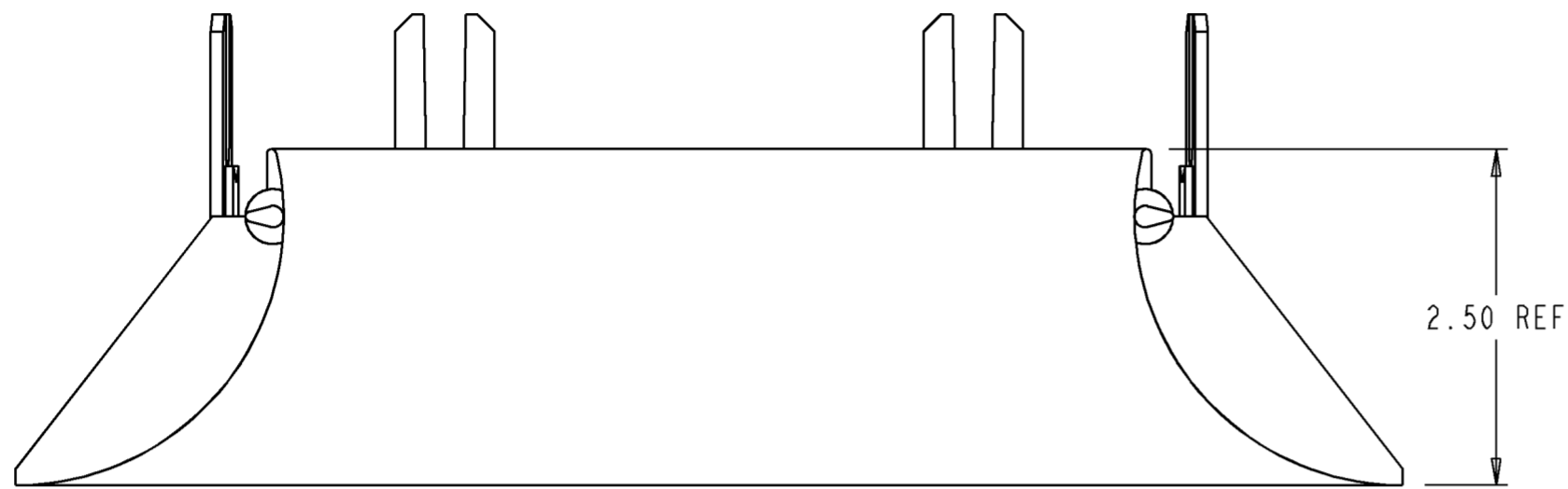
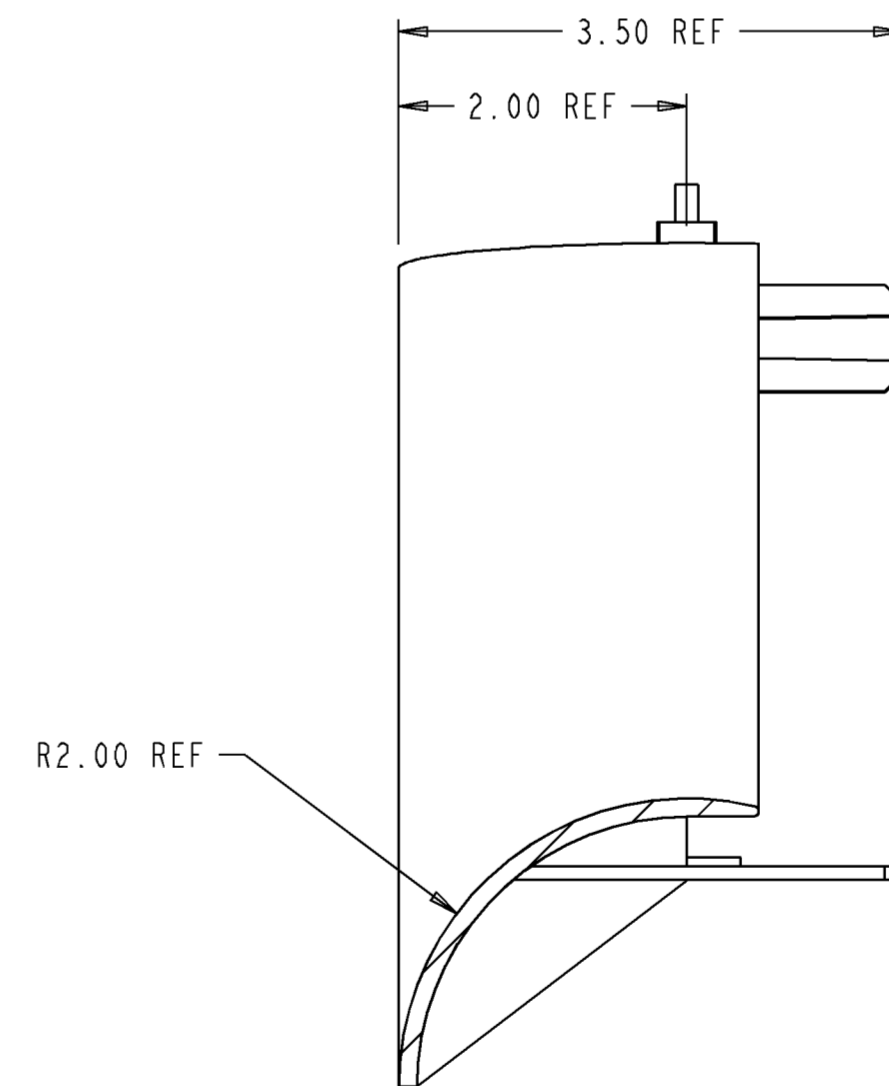
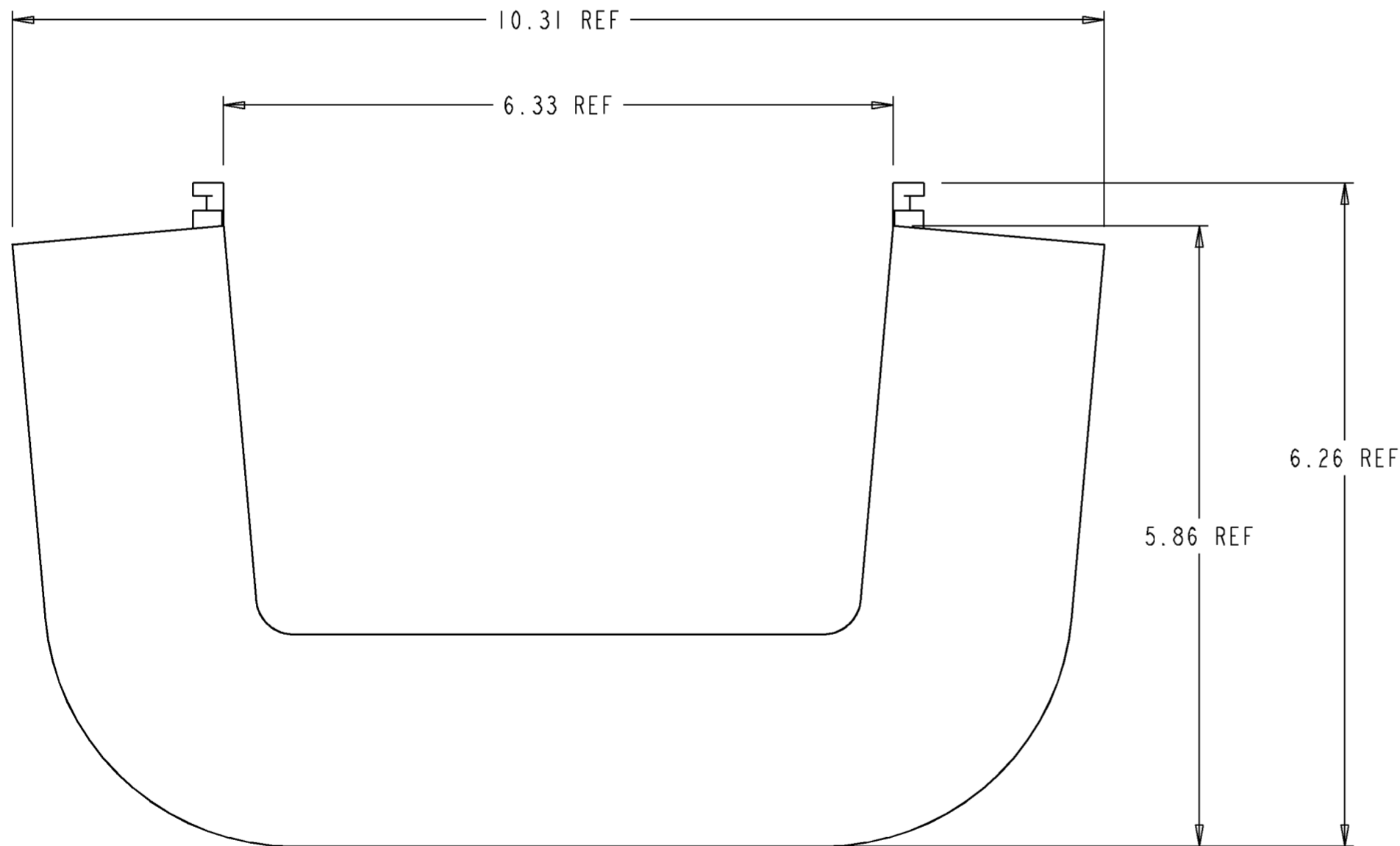


REV	MCO	DWN	DATE
B	20235601	OCM	12-MAR-08
C	20273560	RCR	04-FEB-10



SCALE 0.500



NOTES:

1. MOUNTING HARDWARE INCLUDED WITH KIT.
2. MATERIAL IS SELF EXTINGUISHING WITH A UL 94 RATING OF V-0.

CATALOG NO.	COLOR
FGSB-MTRM-B	BLACK
FGS-MTRM-B	YELLOW
FGSO-MTRM-B	ORANGE



INFORMATION ON THIS DOCUMENT IS PROPRIETARY TO ADC AND SHALL NOT BE USED, COPIED, REPRODUCED OR DISCLOSED IN WHOLE OR IN PART WITHOUT WRITTEN CONSENT OF ADC.

ALL DIMS AND TOLERANCES ARE INCHES UNLESS OTHERWISE SPECIFIED

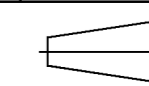
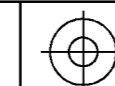
DO NOT SCALE DRAWING

TITLE  
KIT, TRUMPET, 4X6  
INSTALLATION DWG

DRAWING NUMBER 1045822	C REV
---------------------------	-------

ENGR: T. HAATAJA  
DWN: T. HAATAJA

SHT. 1 OF 1



**DIMENSIONS IN INCHES  
THIRD ANGLE PROJECTION**