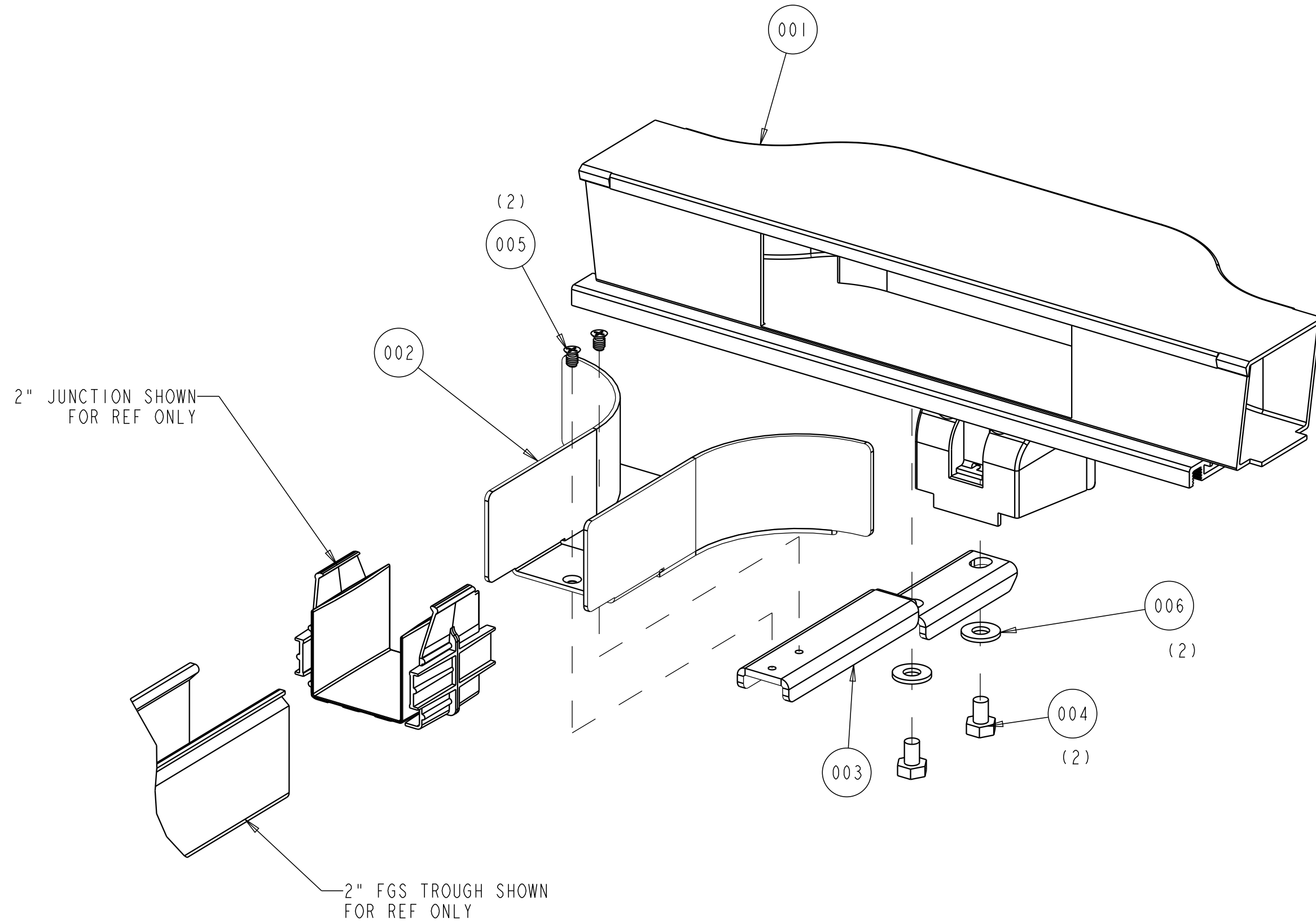


REV	MCO	DWN	DATE
B	40031893MCO	OAVL	30-JUN-16
C	40031790MCO	VFV	19-JUL-16



NOTES:

1. INCLUDED WITH UNIT:
 1. (1) 2" CUT DOWNSPOUT
 2. (1) 2" CUT IN TEE
 3. (1) TEE SUPPORT BRACKET
 4. (2) .375 X 1/4-20 HEX CAP SCREW
 5. (2) #6-32 FLAT HEAD SCREW
 6. (2) LOCK WASHER
 7. (1) COPY OF THIS DRAWING
2. THE LABEL ITEM 009 IS ATTACHED IN BAG.
3. WARNING:
NEVER INSTALL TELEPHONE EQUIPMENT IN A WET LOCATION OR DURING A LIGHTNING STORM. WHEN INSTALLING OR MODIFYING TELEPHONE LINES, DISCONNECT LINES AT THE NETWORK INTERFACE BEFORE WORKING WITH UNINSULATED LINES OR TERMINALS.
4. FOR ADDITIONAL INFORMATION, PLEASE CALL THE COMMSCOPE PRODUCT INFORMATION CENTER AT (TOLL FREE) 1-800-366-3891.

CATALOG NUMBER: FGS-MHIS-C

COMMSCOPE, INC.

© 2016 COMMSCOPE, INC. CONFIDENTIAL NOTICE: THESE DRAWINGS AND SPECIFICATIONS ARE THE PROPRIETARY PROPERTY OF COMMSCOPE, INC. AND MAY BE USED ONLY FOR THE SPECIFIC PURPOSE AUTHORIZED IN WRITING BY COMMSCOPE, INC.		TITLE KIT, DOWNSPT, 2 X 2, FGS	
ALL DIMS AND TOLERANCES ARE INCHES UNLESS OTHERWISE SPECIFIED	.XX:±N/A .XXX:±N/A ANGULAR:±N/A	C SIZE	DRAWING NUMBER 1264707_ADC
DO NOT SCALE DRAWING	ENGR: RUBEN ARVILLA DWN: VICTOR FLORES	SHT. 1 OF 2	

**DIMENSIONS IN INCHES
THIRD ANGLE PROJECTION**

A

B

C

D

1

1

2

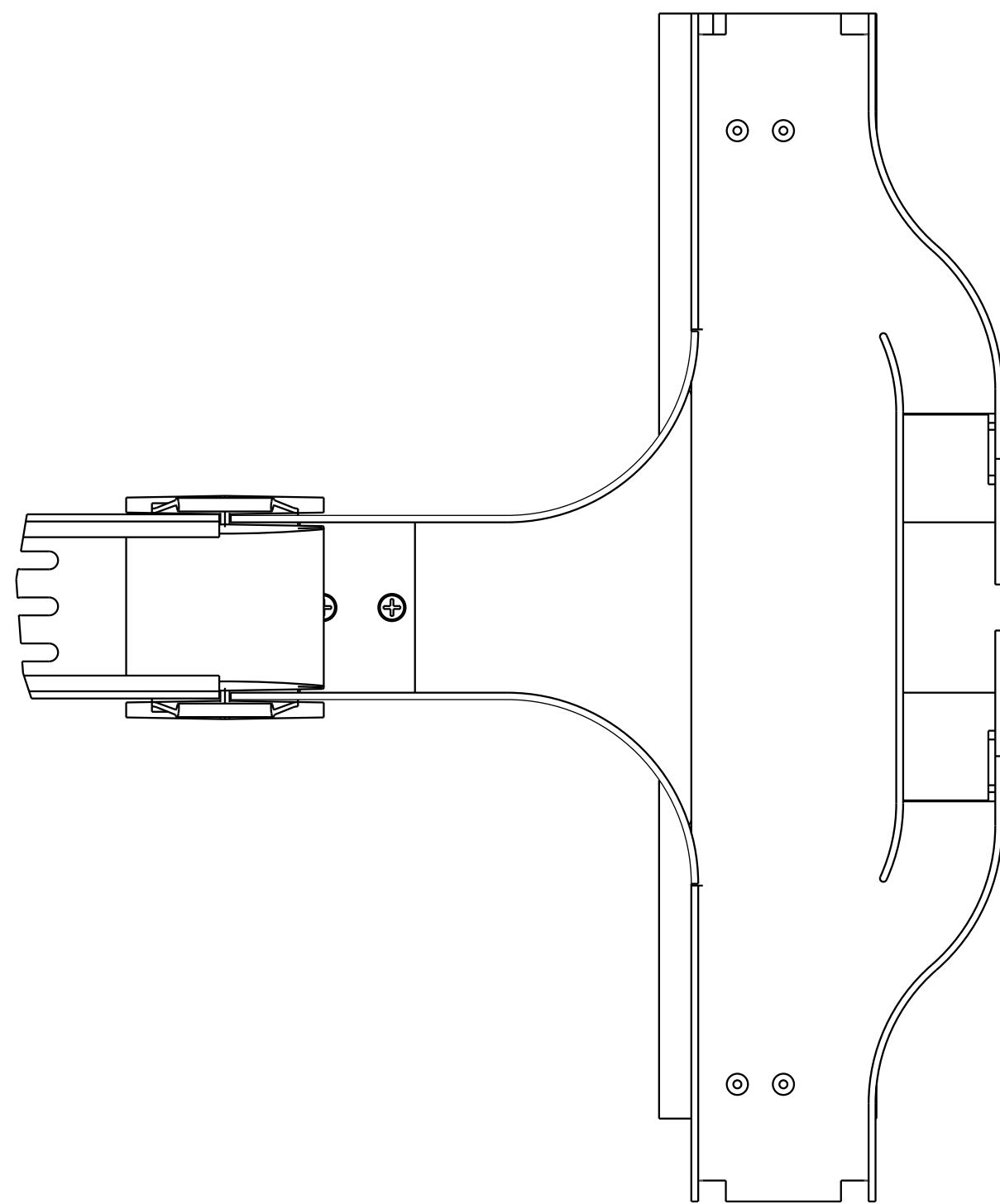
2

3

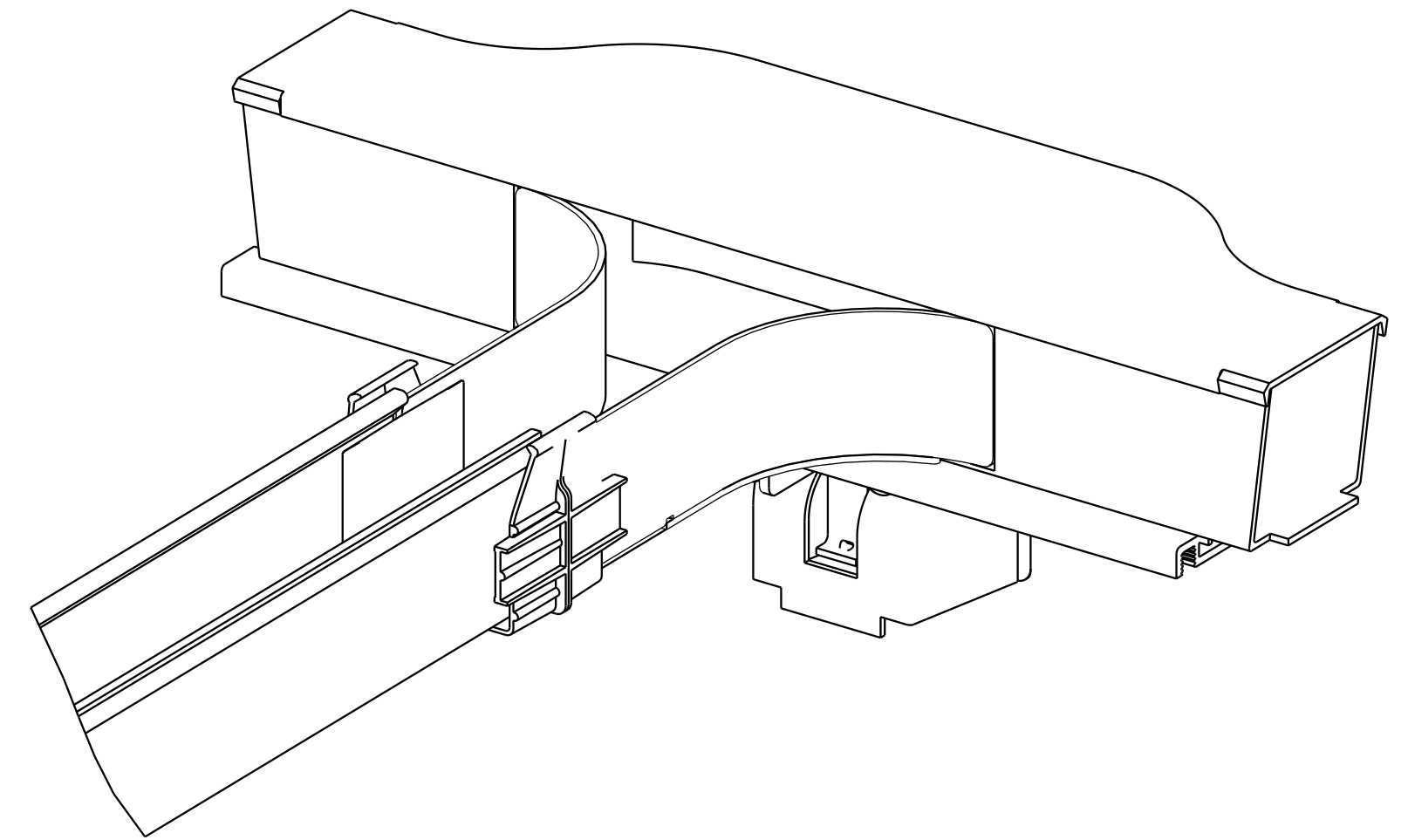
3

4

4

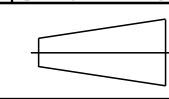
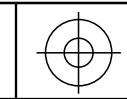


TOP VIEW
COVER REMOVED FOR MORE DETAIL



COMMSCOPE, INC.

<small>© 2016 COMMSCOPE, INC. CONFIDENTIAL NOTICE: THESE DRAWINGS AND SPECIFICATIONS ARE THE PROPRIETARY PROPERTY OF COMMSCOPE, INC. AND MAY BE USED ONLY FOR THE SPECIFIC PURPOSE AUTHORIZED IN WRITING BY COMMSCOPE, INC.</small>		TITLE KIT, DWNSPT, 2 X 2, FGS	
<small>ALL DIMS AND TOLERANCES .XX:±N/A ARE INCHES UNLESS .XXX:±N/A OTHERWISE SPECIFIED ANGULAR:±N/A</small>		C SIZE	DRAWING NUMBER 1264707_ADC
DO NOT SCALE DRAWING		ENGR: RUBEN ARVILLA DWN: VICTOR FLORES	SHT. 2 OF 2



DIMENSIONS IN INCHES
THIRD ANGLE PROJECTION

A

B

C

