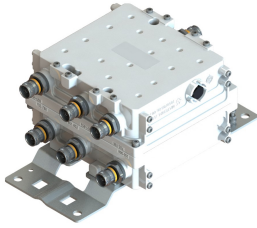


E14F11P17



2X Triplexer 703-788/801-852/890-951, No DC/AISG Bypass, with 4.3-10 connectors

- Industry leading PIM performance
- Twin configuration
- New 4.3-10 connectors for improved PIM performance and size reduction
- Designed for network modernization application, introduction of LTE700 and LTE800 on existing site
- dc/AISG blocking on all ports

Product Classification

Product Type Triplexer

General Specifications

Color Gray

Modularity 2-Twin

Mounting Pole | Wall

Mounting Pipe Hardware Band clamps (2)

RF Connector Interface 4.3-10 Female

Dimensions

Height 175 mm | 6.89 in

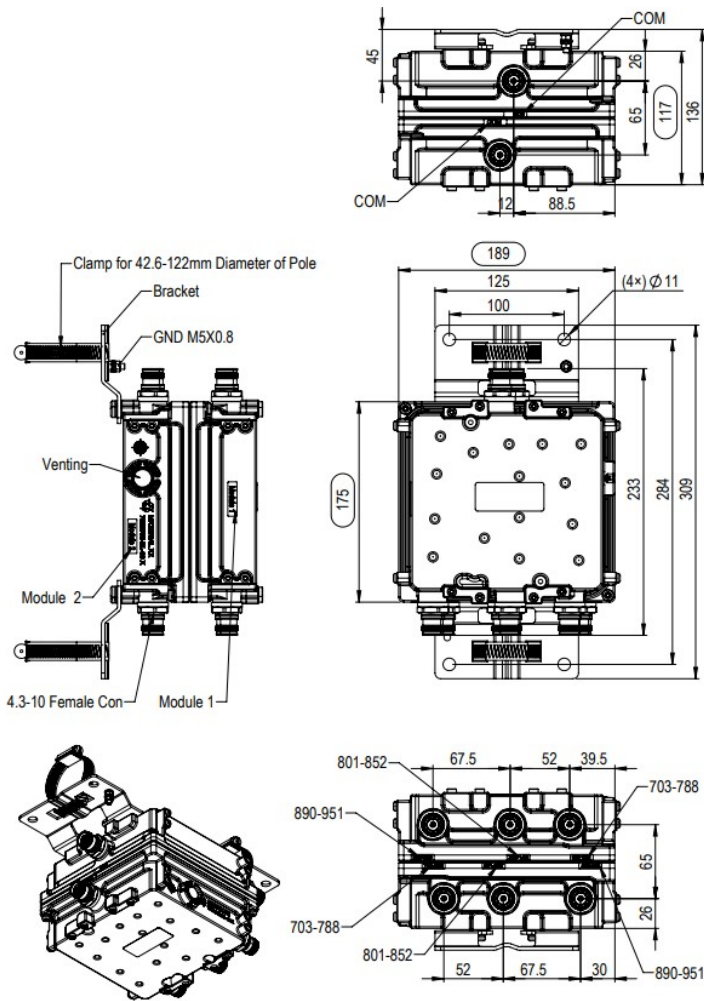
Width 189 mm | 7.441 in

Depth 117 mm | 4.606 in

Mounting Pipe Diameter Range 43–122 mm

Outline Drawing

E14F11P17



Electrical Specifications

Impedance 50 ohm

Electrical Specifications, dc Power/Alarm

dc/AISG Pass-through, combiner dc/AISG blocking on all ports

dc/AISG Pass-through, demultiplexer dc/AISG blocking on all ports

Lightning Surge Current 10 kA

Lightning Surge Current Waveform 8/20 waveform

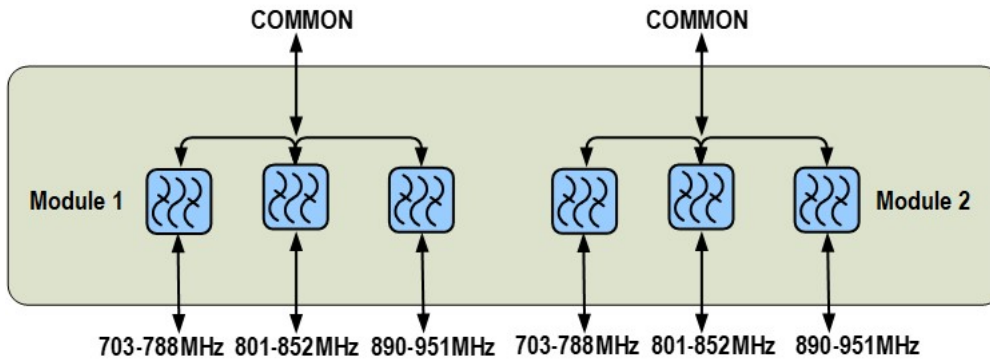
Electrical Specifications

Sub-module	1 2	1 2	1 2
Branch	1	2	3

E14F11P17

Port Designation	703-788	801-852	890-951
Electrical Specifications, Band Pass			
Frequency Range, MHz	703-788	801-852	890-951
Insertion Loss, typical, dB	0.15	0.2	0.2
Return Loss, typical, dB	20	20	20
Isolation, typical, dB	32	32	32
Input Power, RMS, maximum, W	150	150	150
Input Power, PEP, maximum, W	1000	1000	1000
3rd Order PIM, typical, dBc	-162	-162	-162
3rd Order PIM Test Method	Two +43 dBm carriers	Two +43 dBm carriers	Two +43 dBm carriers

Block Diagram



Environmental Specifications

Operating Temperature	-40 °C to +65 °C (-40 °F to +149 °F)
Corrosion Test Method	IEC 60068-2-11, 30 days
Environmental Test Method	ETSI EN 300 019-1-4
Ingress Protection Test Method	IEC 60529:2001, IP67

Packaging and Weights

Included	Mounting hardware
Volume	3.9 L
Weight, with mounting hardware	4.5 kg 9.921 lb
Weight, without mounting hardware	4 kg 8.818 lb

Regulatory Compliance/Certifications

E14F11P17

Agency

ISO 9001:2015

**Classification**

Designed, manufactured and/or distributed under this quality management system