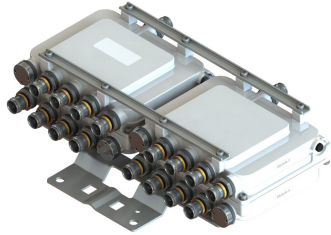


# E14F15P44

---



Quad Quadplexer 617-960/1350-2200/2300-2400/2496-2700 MHz,  
4.3-10 connectors,dc bypass on all ports

- Industry leading PIM performance
- Designed for network modernization application, introduction of LTE2300 and LTE2600 on existing site
- New 4.3-10 connectors for improved PIM performance and size reduction
- Suitable for feeders cables reduction

## Product Classification

**Product Type** Quadplexer

## General Specifications

**Color** Gray

**Modularity** 4-Quad

**Mounting** Pole | Wall

**Mounting Pipe Hardware** Band clamps (2)

**RF Connector Interface** 4.3-10 Female

## Dimensions

**Height** 88 mm | 3.465 in

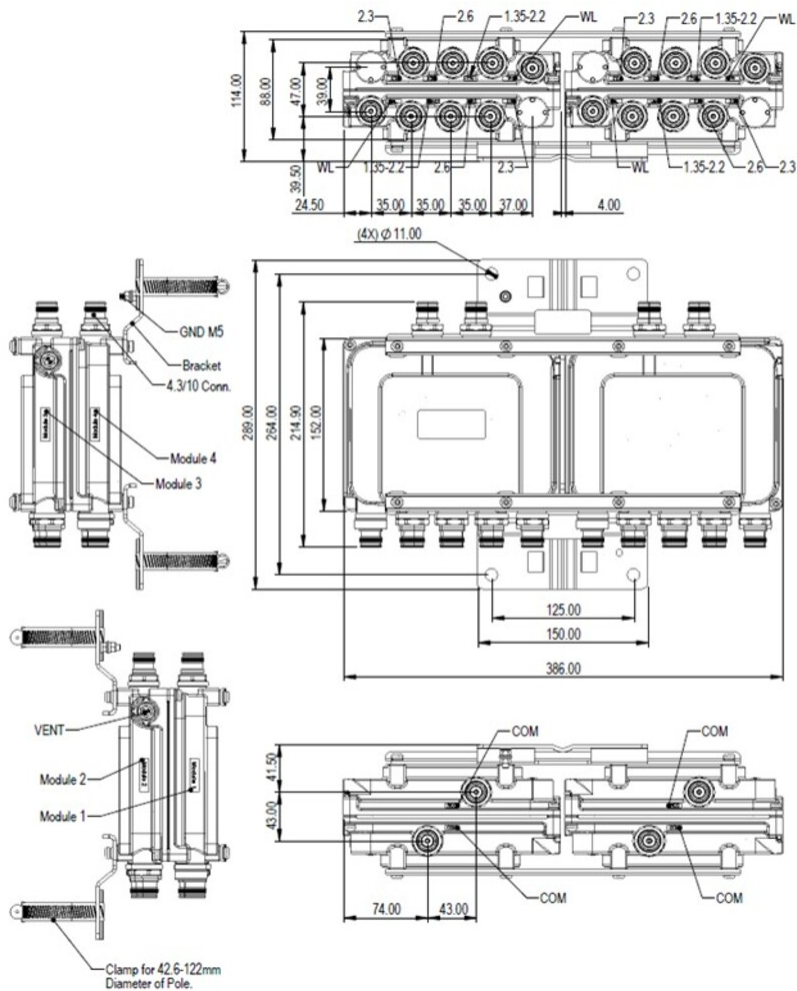
**Width** 386 mm | 15.197 in

**Depth** 152 mm | 5.984 in

**Mounting Pipe Diameter Range** 43–122 mm

## Outline Drawing

# E14F15P44



## Electrical Specifications

<b>Impedance</b>	50 ohm
<b>License Band, Band Pass</b>	APT 700   CEL 850   CEL 900   DCS 1800   EDD 800   IMT 2100   IMT 2600   LMR 800   LMR 900   SDL 1400   TDD 2300   USA 600

## Electrical Specifications, dc Power/Alarm

<b>dc/AISG Pass-through, combiner</b>	Branch 1   Branch 2   Branch 3   Branch 4
<b>dc/AISG Pass-through, demultiplexer</b>	Branch 1   Branch 2   Branch 3   Branch 4
<b>Lightning Surge Current</b>	5 kA
<b>Lightning Surge Current Waveform</b>	8/20 waveform

## Electrical Specifications, AISG

<b>AISG Carrier</b>	2176 KHz $\pm$ 100 ppm
---------------------	------------------------

# E14F15P44

<b>Insertion Loss, maximum</b>	0.1 dB
<b>Return Loss, minimum</b>	18 dB

## Electrical Specifications

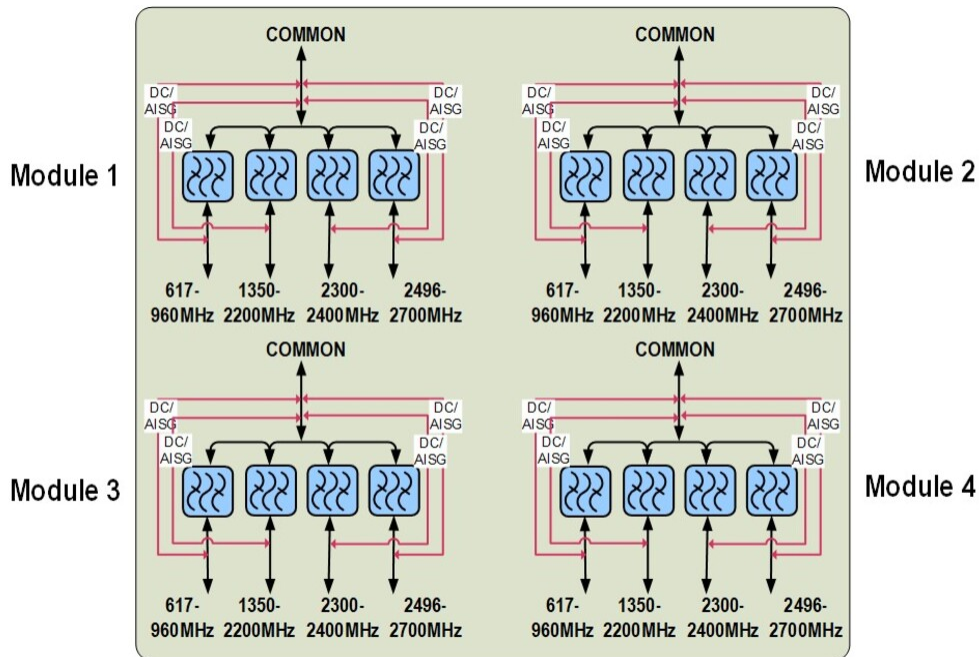
<b>Sub-module</b>	<b>1   2</b>	<b>1   2</b>	<b>1   2</b>	<b>1   2</b>
<b>Branch</b>	1	2	3	4
<b>Port Designation</b>	PORT 1 617-960	PORT 2 1350-2200	PORT 3 2300-2400	PORT 4 2496-2700
<b>License Band</b>	APT 700, Band Pass LMR 750, Band Pass LMR 800, Band Pass LMR 900, Band Pass USA 600, Band Pass CEL 850, Band Pass CEL 900, Band Pass EDD 800, Band Pass	LMR 900, Band Pass PDC 1500, Band Pass SDL 1400, Band Pass DCS 1800, Band Pass IMT 2100, Band Pass	TDD 2300, Band Pass	TDD 2600, Band Pass IMT 2600, Band Pass

## Electrical Specifications, Band Pass

<b>Frequency Range, MHz</b>	<b>617–960</b>	<b>1350–2200</b>	<b>2300–2400</b>	<b>2496–2700</b>
<b>Insertion Loss, typical, dB</b>	0.15	0.1	0.2	0.15
<b>Return Loss, typical, dB</b>	20	20	20	20
<b>Isolation, typical, dB</b>	38	38	38	38
<b>Input Power, RMS, maximum, W</b>	125	125	125	125
<b>Input Power, PEP, maximum, W</b>	1250	1250	1250	1250
<b>3rd Order PIM, typical, dBc</b>	-155	-155	-155	-155
<b>3rd Order PIM Test Method</b>	Two +43 dBm carriers	Two +43 dBm carriers	Two +43 dBm carriers	Two +43 dBm carriers

## Block Diagram

# E14F15P44



## Mechanical Specifications

**Wind Speed, maximum** 200 km/h | 124.274 mph

## Environmental Specifications

**Operating Temperature** -40 °C to +65 °C (-40 °F to +149 °F)

**Corrosion Test Method** IEC 60068-2-11, 30 days

**Environmental Test Method** ETSI EN 300 019-1-4

**Ingress Protection Test Method** IEC 60529:2001, IP67

**Vibration Test Method** IEC 60068-2-6

## Packaging and Weights

**Included** Mounting hardware

**Volume** 5.2 L

**Weight, with mounting hardware** 8.45 kg | 18.629 lb

**Weight, without mounting hardware** 7.5 kg | 16.535 lb