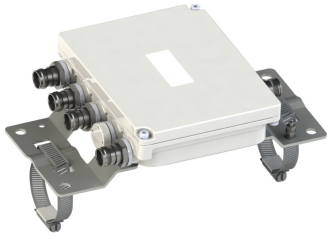


E14F15P47



Single Quadplexer 612-960/1350-2200/2300-2400,2496-2700/3300-4200 MHz, with 4.3-10 connectors,dc bypass on low band port

- Industry leading PIM performance
- Designed for network modernization application, introduction of LTE700 and LTE800 on existing site
- New 4.3-10 connectors for improved PIM performance and size reduction
- Suitable for feeders cables reduction
- New Combining Solution to introduce 5G, 3.5GHz band

Product Classification

Product Type Quadplexer

General Specifications

Modularity 1-Single

Mounting Pole | Wall

Mounting Pipe Hardware Band clamps (2)

RF Connector Interface 4.3-10 Female

Dimensions

Height 152 mm | 5.984 in

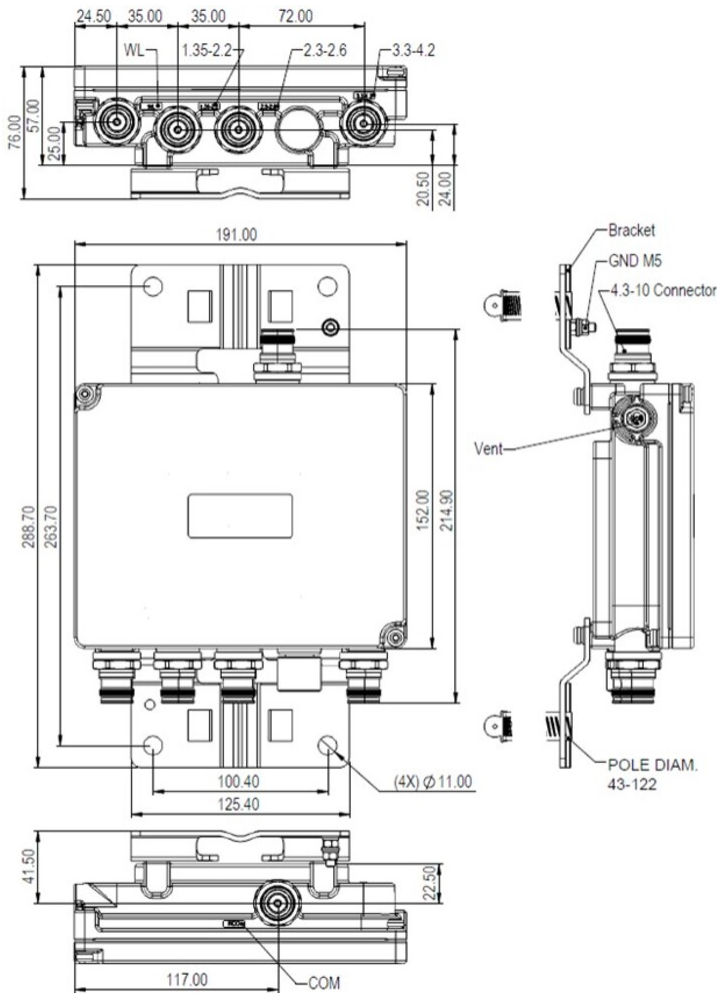
Width 191 mm | 7.52 in

Depth 57 mm | 2.244 in

Mounting Pipe Diameter Range 43-122 mm

Outline Drawing

E14F15P47



Electrical Specifications

Impedance	50 ohm
License Band, Band Pass	APT 700 AWS 1700 CEL 850 CEL 900 DCS 1800 EDD 800 IMT 2100 IMT 2600 LMR 800 LMR 900 SDL 1400 TDD 2300 TDD 3500 USA 600

Electrical Specifications, dc Power/Alarm

dc/AISG Pass-through, combiner	Branch 1
dc/AISG Pass-through, demultiplexer	Branch 1
Lightning Surge Current	5 kA
Lightning Surge Current Waveform	8/20 waveform

Electrical Specifications, AISG

E14F15P47

AISG Carrier	2176 KHz ± 100 ppm
Insertion Loss, maximum	0.1 dB
Return Loss, minimum	18 dB

Electrical Specifications

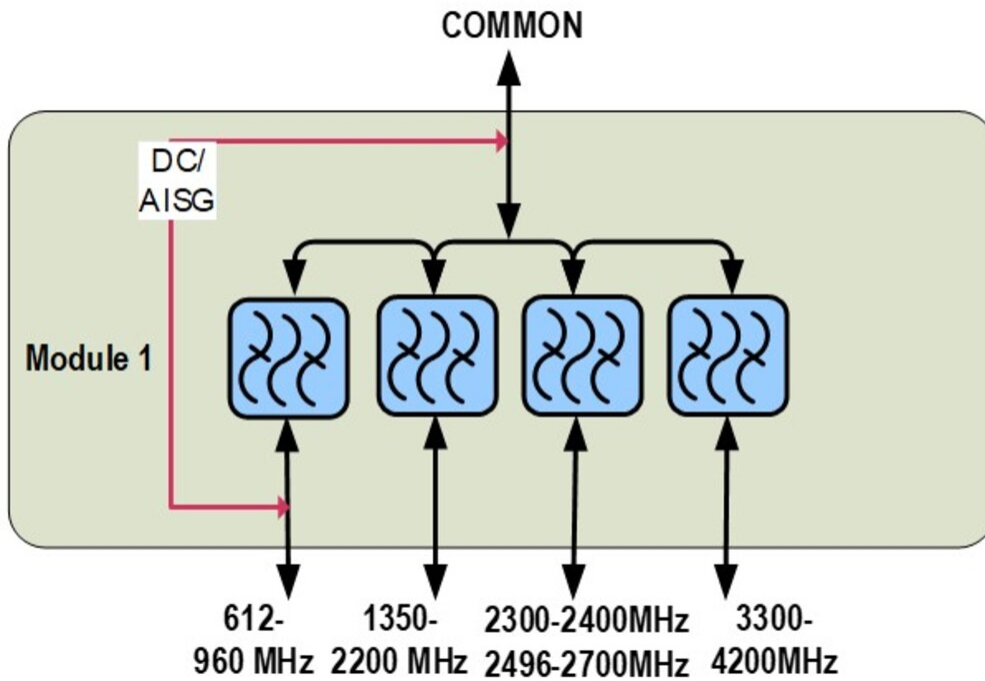
Sub-module	1 2	1 2	1 2	1 2
Branch	1	2	3	4
Port Designation	PORT 1 612-960	PORT 2 1350-2200	PORT 3 2300-2400, 2496-2700	PORT 4 3300-4200
License Band	APT 700, Band Pass LMR 800, Band Pass USA 600, Band Pass CEL 850, Band Pass CEL 900, Band Pass EDD 800, Band Pass	PCS 1900, Band Pass AWS 1700, Band Pass SDL 1400, Band Pass AWS 2000, Band Pass DCS 1800, Band Pass IMT 2100, Band Pass	TDD 2300, Band Pass TDD 2600, Band Pass IMT 2600, Band Pass	TDD 3500, Band Pass

Electrical Specifications, Band Pass

Frequency Range, MHz	612–960	1350–2200	2300–2400 2496–2700	3300–4200
Insertion Loss, typical, dB	0.15	0.1	0.25	0.15
Return Loss, typical, dB	20	20	20	20
Isolation, typical, dB	38	38	45	55
Input Power, RMS, maximum, W	125	125	125	125
Input Power, PEP, maximum, W	1250	1250	1250	1250
3rd Order PIM, typical, dBc	-160	-160		
3rd Order PIM Test Method	Two +43 dBm carriers	Two +43 dBm carriers		

Block Diagram

E14F15P47



Mechanical Specifications

Wind Speed, maximum 200 km/h | 124.274 mph

Environmental Specifications

Operating Temperature -40 °C to +65 °C (-40 °F to +149 °F)

Corrosion Test Method IEC 60068-2-11, 30 days

Environmental Test Method ETSI EN 300 019-1-4

Ingress Protection Test Method IEC 60529:2001, IP67

Vibration Test Method IEC 60068-2-6

Packaging and Weights

Included Mounting hardware

Weight, net 2.74 kg | 6.041 lb

Weight, without mounting hardware 2.3 kg | 5.071 lb