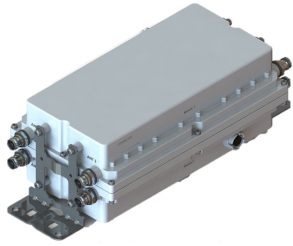


# IMFQ-LMR-43 | E14V00P23

---



Quad IMF 700-750MHz Reject guard 757-758 MHz, DC Pass, 4.3-10 connectors

- Pass USA 700 & LMR 750 bands
- Reject any emission in LMR guard band 757-758 MHz
- DC/AISG passing capability from BTS port to ANT port
- New 4.3-10 connectors for improved PIM performance and size reduction

## Product Classification

**Product Type** Interference mitigation filter

## General Specifications

**Color** Gray

**Modularity** 4-Quad

**Mounting Pipe Hardware** Band clamps (2)

**RF Connector Interface** 4.3-10 Female

## Dimensions

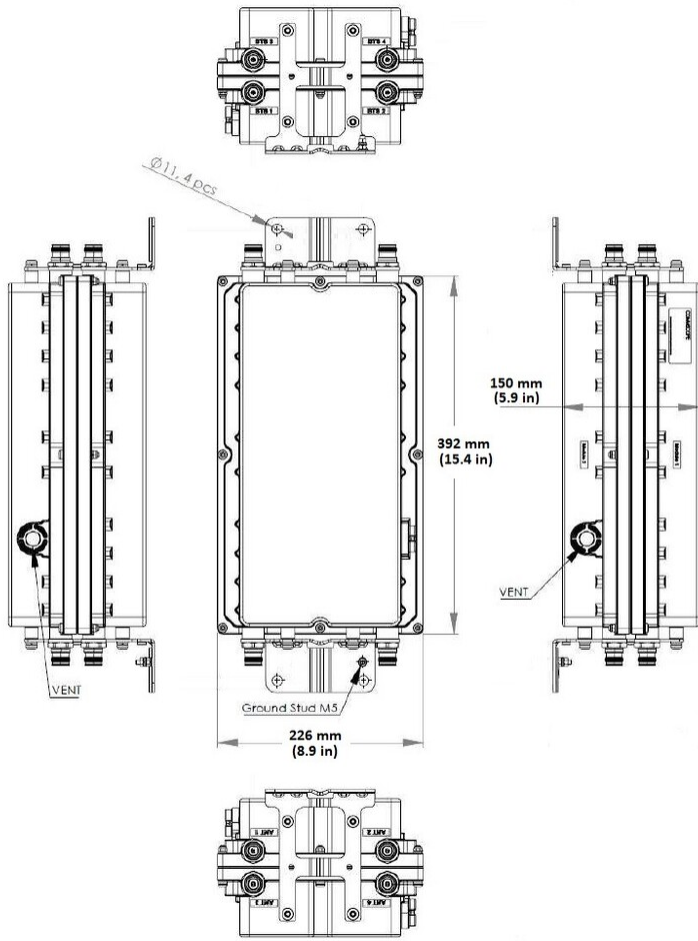
**Height** 392 mm | 15.433 in

**Width** 226 mm | 8.898 in

**Depth** 150 mm | 5.906 in

## Outline Drawing

# IMFQ-LMR-43 | E14V00P23



## Electrical Specifications, dc Power/Alarm

<b>dc/AISG Pass-through Path</b>	Branch 1
<b>Lightning Surge Current</b>	8 kA
<b>Lightning Surge Current Waveform</b>	8/20 waveform

## Electrical Specifications

<b>Sub-module</b>	<b>1   2   3   4</b>	<b>1   2   3   4</b>
<b>Branch</b>	1	1
<b>Port Designation</b>	Band 12	Band 14
<b>License Band</b>	USA 700, Band Pass	USA 750, Band Pass

## Electrical Specifications, Band Pass

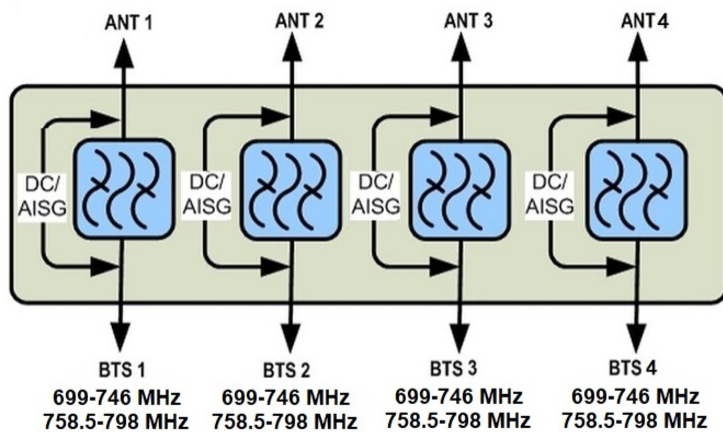
# IMFQ-LMR-43 | E14V00P23

<b>Frequency Range, MHz</b>	<b>699–746</b>	<b>758.5–798</b>
<b>Insertion Loss, maximum, dB</b>	0.3	2.8
<b>Insertion Loss, typical, dB</b>	0.15	0.25
<b>Total Group Delay, maximum, ns</b>	10	600
<b>Return Loss, minimum, dB</b>	18	18
<b>Input Power, RMS, maximum, W</b>	160	
<b>Input Power, PEP, maximum, W</b>	1600	
<b>3rd Order PIM, maximum, dBc</b>	-161	

## Electrical Specifications, Band Reject

<b>Frequency Range, MHz</b>	<b>757–758</b>
<b>Attenuation, minimum, dB</b>	30

## Block Diagram



## Environmental Specifications

<b>Operating Temperature</b>	-40 °C to +65 °C (-40 °F to +149 °F)
<b>Relative Humidity</b>	Up to 100%
<b>Ingress Protection Test Method</b>	IEC 60529:2001, IP67

## Packaging and Weights

<b>Included</b>	Mounting hardware
<b>Mounting Hardware Weight</b>	0.9 kg   1.984 lb
<b>Weight, without mounting hardware</b>	10.4 kg   22.928 lb

