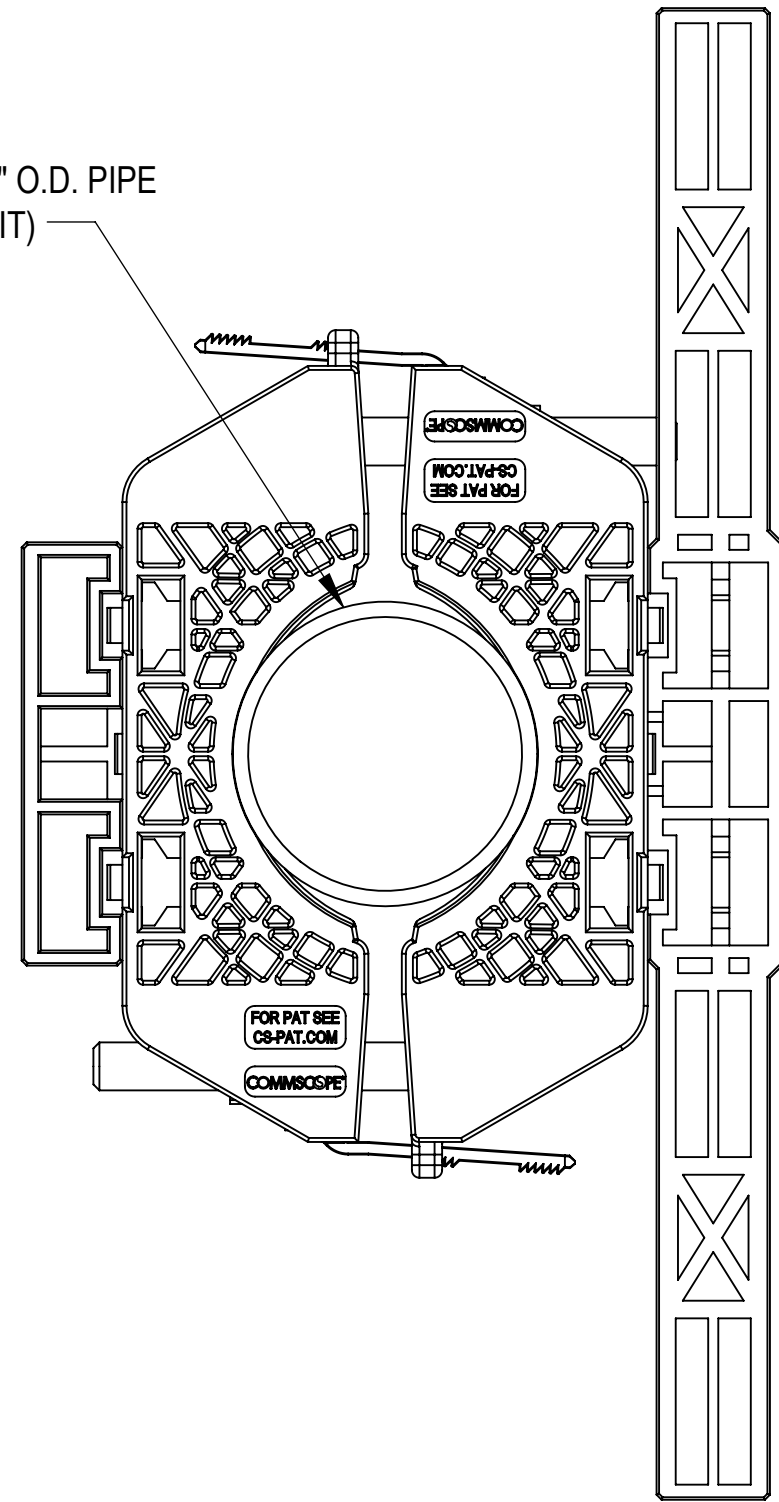


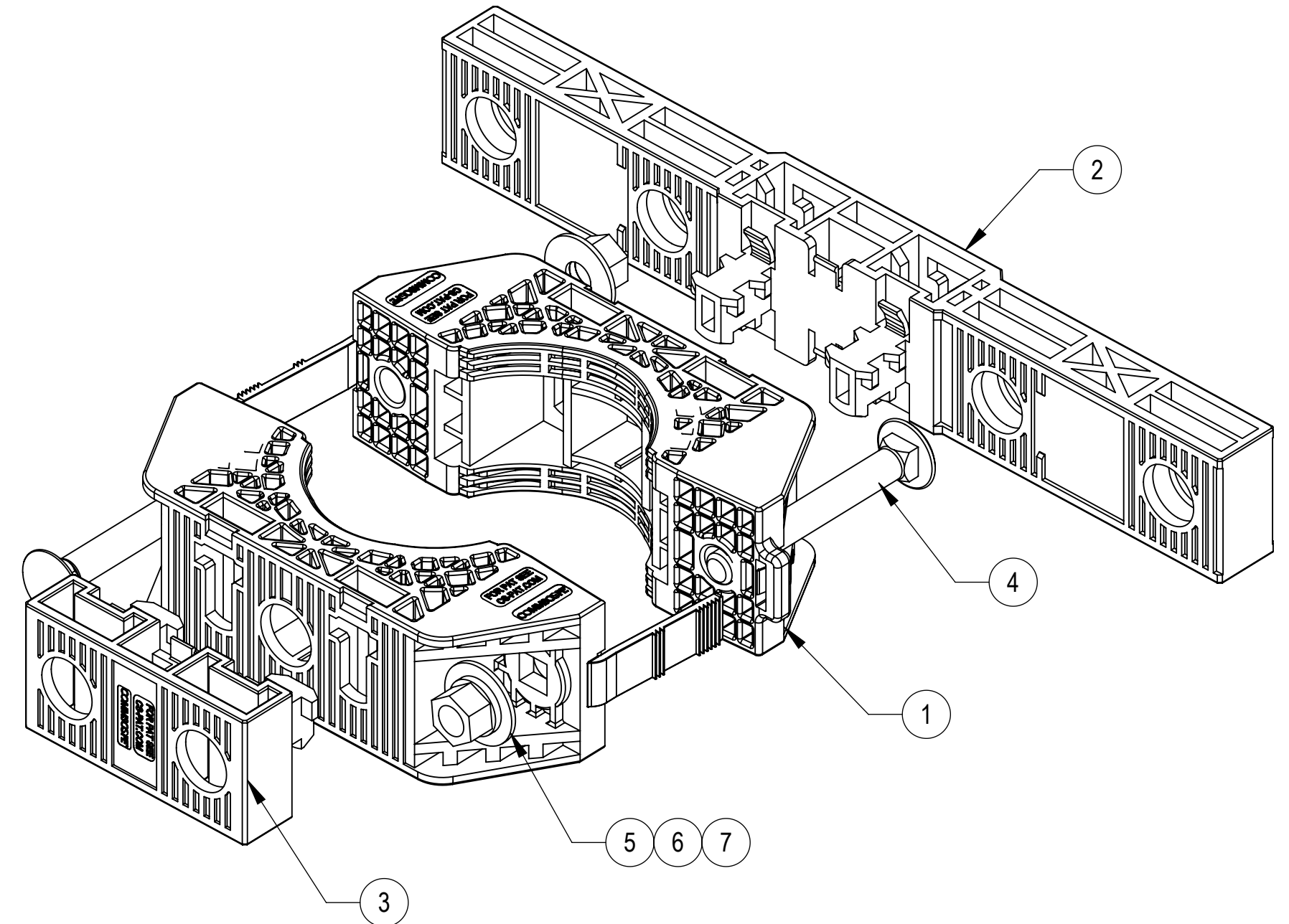
- 1.0 GENERAL NOTES
 - 1.1 ALL METRIC DIMENSIONS ARE IN BRACKETS [X.X]
 - 1.2 FEATURES CRITICAL TO QUALITY ARE INDICATED IN ROUNDED BOX (X.X)
- 2.0 DESIGN NOTES
- 3.0 MANUFACTURING/SPECIAL REQUIREMENTS
 - 3.1 TIGHTEN ALL BOLTS SECURING FLAT PLATES BY THE TURN-OF-NUT METHOD.
- 4.0 TEST
- 5.0 PACKAGING
 - 5.1 PACKAGING MUST BE AGREED TO IN WRITING BY COMMSCOPE PRIOR TO MASS-PRODUCTION APPROVAL.
 - 5.2 PARTS ARE TO BE PACKAGING IN A MANNER OT PREVENT DAMAGE DURING SHIPMENT & STORAGE.
 - 5.3 PACKAGING TO ADHERE TO ALL COMMSCOPE, LOCAL & FOREIGN (WHERE APPLICABLE) SHIPPING REQUIREMENTS.
 - 5.4 PACKAGING & PARTS TO BE FREE OF ALL CONTAMINANTS INCLUDING PAPER FROM BOX, DIRT, DUST, OILS, MOLD RELEASE, DETERGENT AND ALL OTHER FOREIGN MATERIALS.

REVISIONS			
REV.	DESCRIPTION	DATE	APPROVED
A	INITIAL RELEASE	JL1183 19DEC22	JW1064 40157351CMO
B	REDESIGNED MODEL	YMENG 23MAY23	JX1030 40171556CMO

FIT $\phi 2.375$ " O.D. TO $\phi 3.0$ " O.D. PIPE
(NOT INCLUDED IN THIS KIT)



ASSEMBLY TOP VIEW



INSTALLATION ASSEMBLY

COMPONENT PART NUMBERS PROVIDED FOR ASSEMBLY PURPOSES;
INDIVIDUAL COMPONENTS MAY BE SHIPPED AS PARTS WITHIN AN INCLUDED KIT.

ITEM NO.	PART NUMBER	DESCRIPTION	QTY.
1	PGCS-1000	CLAMP,FRONT-REAR, POLYMER 4CP	2
2	PGCS-3000	PANEL, POLYMER, 8CP	1
3	PGCS-4000	PANEL, POLYMER, 2CP	1
4	9615-15	BOLT,CARRIAGE,3/8-16,3,STL GALV	2
5	GWF-03	3/8" FLAT WASHER	2
6	GWL-03	3/8" GALV LOCK WASHER	2
7	GN-03	3/8" GALV HEX NUT	2

DENSITY		lbs/in ³
MASS	1.16	lbs
VOLUME	27.30	in ³
SURFACE AREA	449.75	in ²
HEIGHT	6.0"	
LENGTH	12.0"	
WIDTH	2.0"	

COMMSCOPE, INC. OF NORTH CAROLINA									
TOLERANCES					SAP MATERIAL MASTER				
1 PLACE .X[X] ± 0.2[6.3]		3 PLACE .XXX[X] ± 0.060[1.5]			PGP-CS08				
2 PLACE .XX[X] ± 0.12[3.0]		ANGLES ± 2°							
FINISH					MATERIAL				
UNLESS OTHERWISE SPECIFIED DIMENSIONS ARE IN INCHES INTERPRET PER ANSI Y 14.5M-1994	NAME	DATE	TITLE						
	CE JL1183	19DEC22	PG PREMIUM,CBL-SUPPORT,8-HOLE						
	RW YMENG	06/13/2023							
	AD JX1030	06/18/2023							
	RE YMENG	06/19/2023							
ECN 40171556CMO			SCALE	DOCUMENT NO.					
			1:5	PGP-CS08					
SIZE	Auth Group	INSL	MODEL			DRAWING			
C			VERSION	STATUS	REVISION	VERSION	STATUS	REVISION	SHEET
			01	RE	B	01	RE	B	1 OF 1