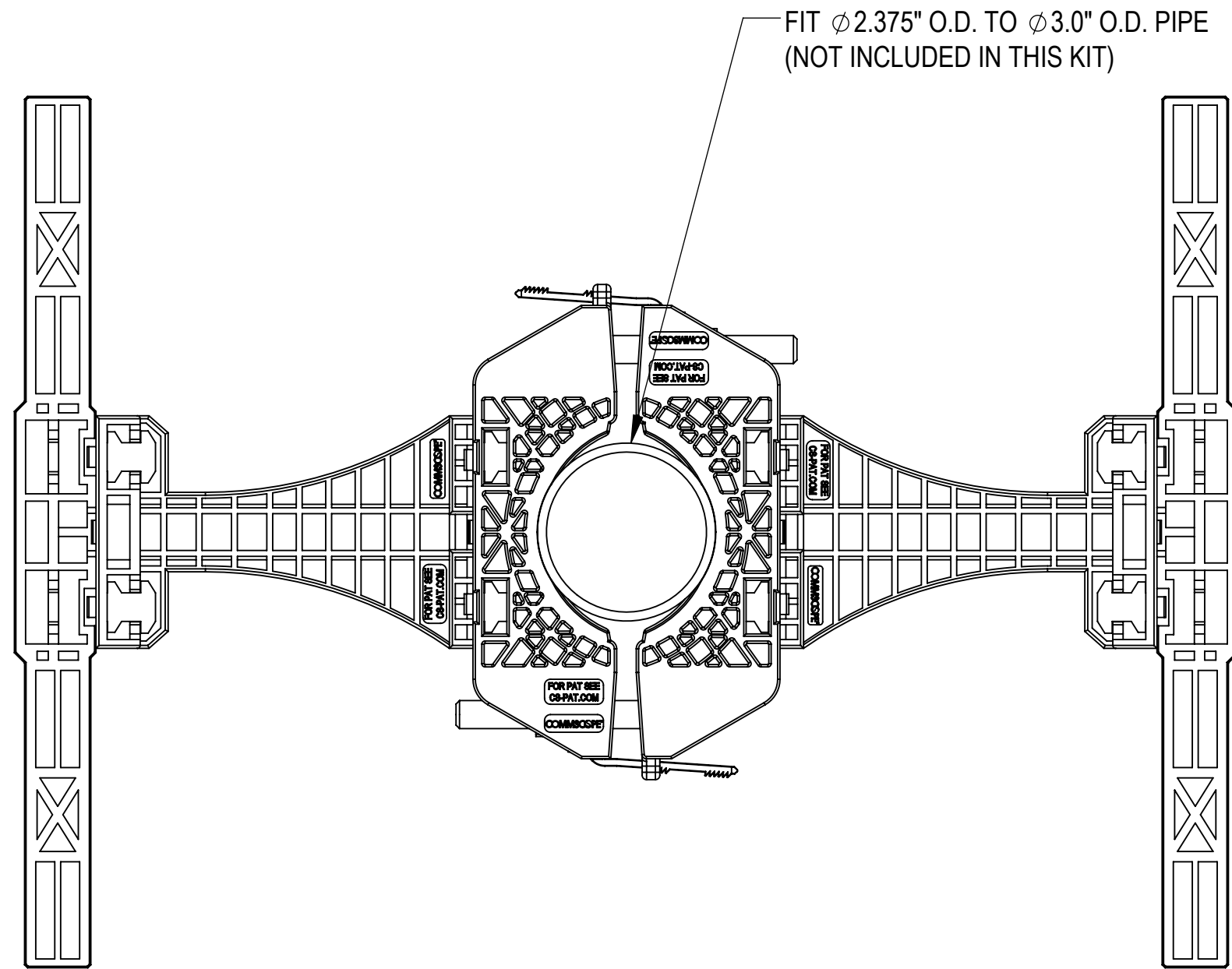
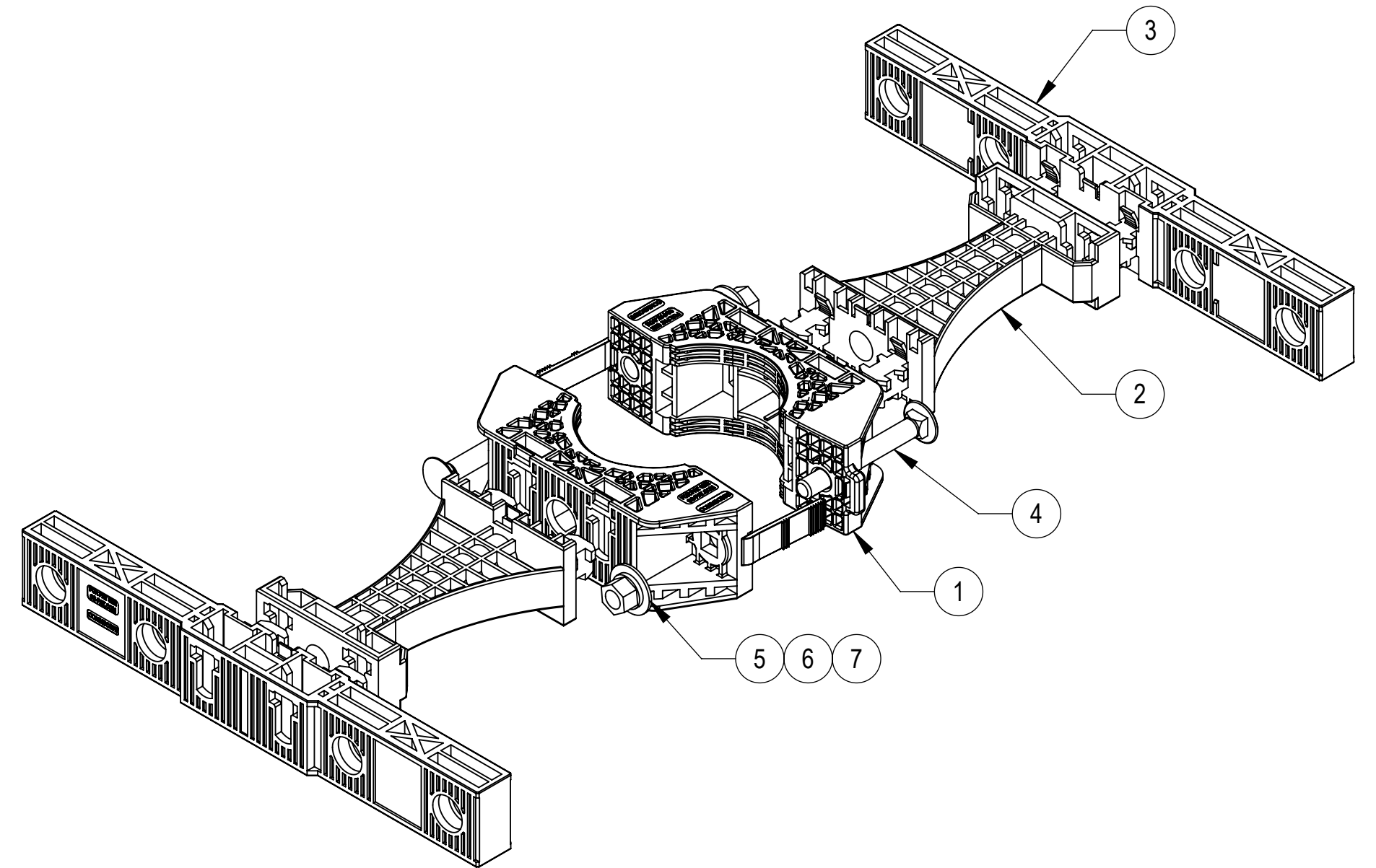


- 1.0 GENERAL NOTES
 - 1.1 ALL METRIC DIMENSIONS ARE IN BRACKETS [X.X]
 - 1.2 FEATURES CRITICAL TO QUALITY ARE INDICATED IN ROUNDED BOX (X.X)
- 2.0 DESIGN NOTES
- 3.0 MANUFACTURING/SPECIAL REQUIREMENTS
 - 3.1 TIGHTEN ALL BOLTS SECURING FLAT PLATES BY THE TURN-OF-NUT METHOD.
- 4.0 TEST
- 5.0 PACKAGING
 - 5.1 PACKAGING MUST BE AGREED TO IN WRITING BY COMMSCOPE PRIOR TO MASS-PRODUCTION APPROVAL.
 - 5.2 PARTS ARE TO BE PACKAGING IN A MANNER OT PREVENT DAMAGE DURING SHIPMENT & STORAGE.
 - 5.3 PACKAGING TO ADHERE TO ALL COMMSCOPE, LOCAL & FOREIGN (WHERE APPLICABLE) SHIPPING REQUIREMENTS.
 - 5.4 PACKAGING & PARTS TO BE FREE OF ALL CONTAMINANTS INCLUDING PAPER FROM BOX, DIRT, DUST, OILS, MOLD RELEASE, DETERGENT AND ALL OTHER FOREIGN MATERIALS.

REVISIONS			
REV.	DESCRIPTION	DATE	APPROVED
A	INITIAL RELEASE	JL1183 19DEC22	JW1064 40157351CMO
B	UPDATE ASSY PER ITEM 2 PGCS-2000 CHANGE	JL1183 07MAR23	JW1064 40167376CMO
C	REDESIGNED MODEL	YMENG 23MAY23	JX1030 40171556CMO



ASSEMBLY TOP VIEW



INSTALLATION ASSEMBLY

COMPONENT PART NUMBERS PROVIDED FOR ASSEMBLY PURPOSES; INDIVIDUAL COMPONENTS MAY BE SHIPPED AS PARTS WITHIN AN INCLUDED KIT.

ITEM NO.	PART NUMBER	DESCRIPTION	QTY.
1	PGCS-1000	CLAMP, FRONT-REAR, POLYMER 4CP	2
2	PGCS-2000	ADAPTER, POLYMER, 4P	2
3	PGCS-3000	PANEL, POLYMER, 8CP	2
4	9615-15	BOLT, CARRIAGE, 3/8-16, 3, STL GALV	2
5	GWF-03	3/8" FLAT WASHER	2
6	GWL-03	3/8" GALV LOCK WASHER	2
7	GN-03	3/8" GALV HEX NUT	2

DENSITY		lbs/in ³
MASS	1.78	lbs
VOLUME	42.78	in ³
SURFACE AREA	769.80	in ²
HEIGHT	12.0"	
LENGTH	17.0"	
WIDTH	2.0"	

COMMSCOPE, INC. OF NORTH CAROLINA											
TOLERANCES						SAP MATERIAL MASTER					
1 PLACE .X[X] ± 0.2[6.3]			3 PLACE .XXX[X] ± 0.060[1.5]			PGP-CS16					
2 PLACE .XX[X] ± 0.12[3.0]			ANGLES ± 2°			FINISH					
MATERIAL						PG PREMIUM, CBL-SUPPORT, 16-HOLE					
UNLESS OTHERWISE SPECIFIED DIMENSIONS ARE IN INCHES INTERPRET PER ANSI Y 14.5M-1994	NAME	DATE	TITLE								
	CE JL1183	19DEC22	PG PREMIUM, CBL-SUPPORT, 16-HOLE								
	RW YMENG	06/13/2023	SCALE								
	AD JX1030	06/18/2023	DOCUMENT NO.								
	RE YMENG	06/19/2023	PGP-CS16								
ECN 40171556CMO			SIZE			Auth Group			INSL		
MODEL			DRAWING			VERSION			STATUS		
02			RE			C			02		
REVISION			VERSION			STATUS			REVISION		
C			⊕			⚡			1 OF 1		