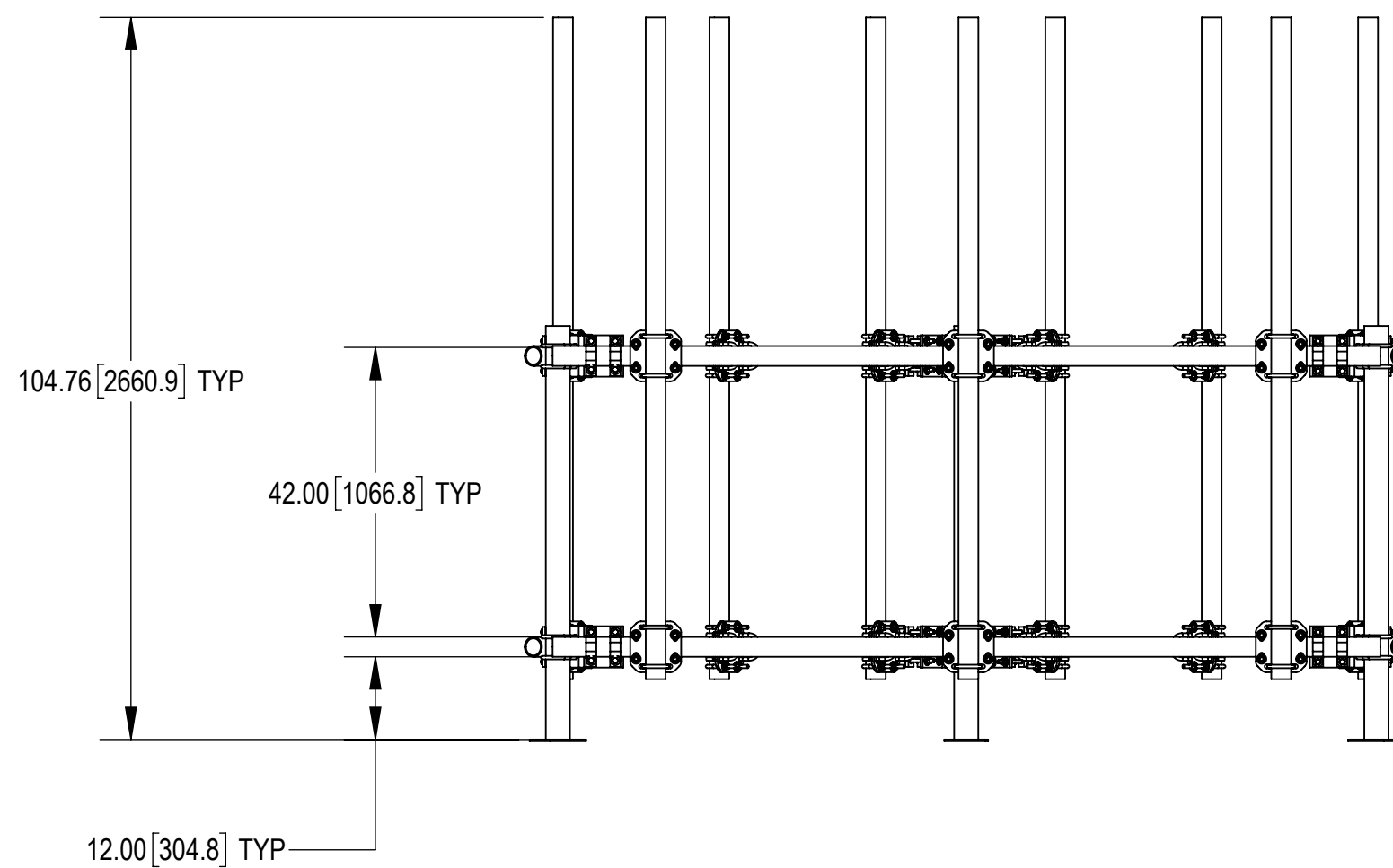
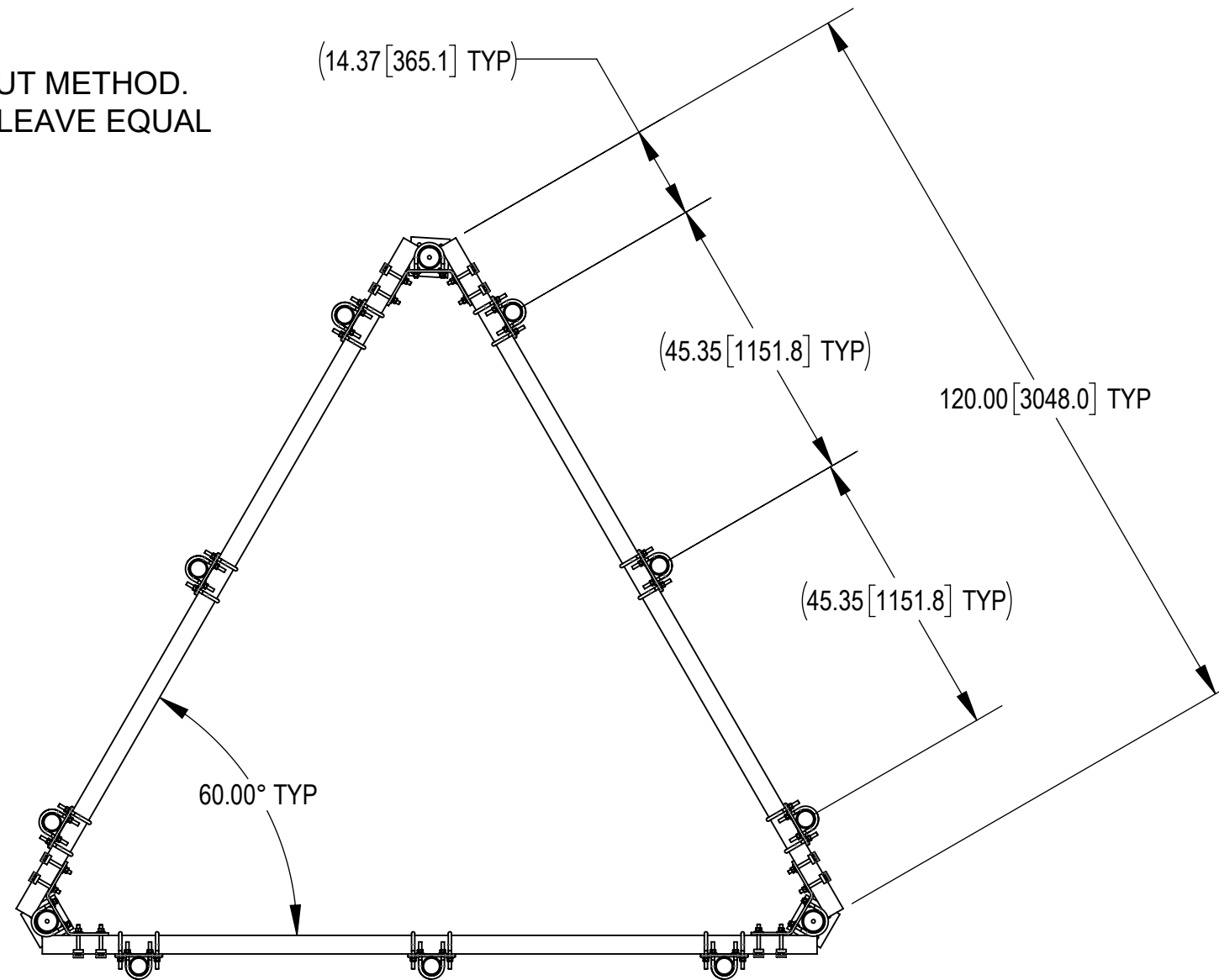


NOTES:

- 1. GENERAL
 - 1.1 ALL METRIC DIMENSIONS ARE IN BRACKETS
 - 1.2 MARK PART WITH IDENTIFICATION NUMBER
- 2. DESIGN NOTES
 - 2.1 ALL DIMENSIONS SHOWN ARE FOR REFERENCE ONLY
ALL CONNECTIONS ARE ADJUSTABLE. FINAL INSTALLED APPLICATION DICTATES FINISHED DIMENSIONS
- 3. MANUFACTURING/SPECIAL REQUIREMENTS
 - 3.1 TORQUE: TIGHTEN ALL BOLTS SECURING FLAT PLATES BY THE TURN-OF-NUT METHOD.
TIGHTEN ALL U-BOLTS USING TURN-OF-NUT METHOD WITH ATTENTION TO LEAVE EQUAL DISTANCE AND EQUAL FORCE ON EACH LEG OF THE U-BOLT
 - 3.2 FINISH: GALVANIZE ASTM A123
- 4. TEST
- 5. PACKAGING
 - 5.1 PACKAGING SHALL MEET COMMSCOPE REQUIREMENTS PER DOCUMENT IS-PL-3005

REVISIONS				
REV.	ECN	DESCRIPTION	BY	DATE
A	40138952CMO	NEW RELEASED.	XZ1054	11/9/2021

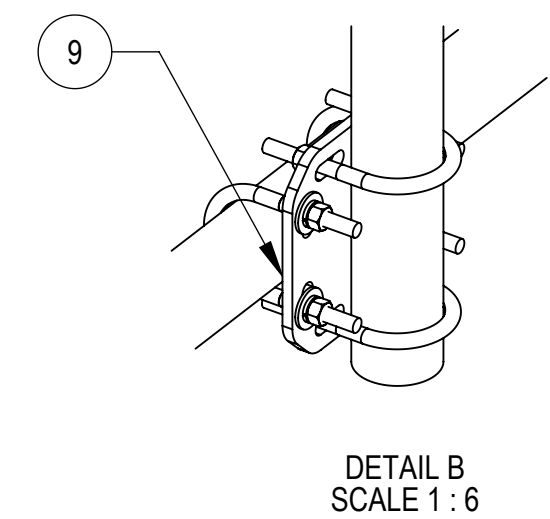
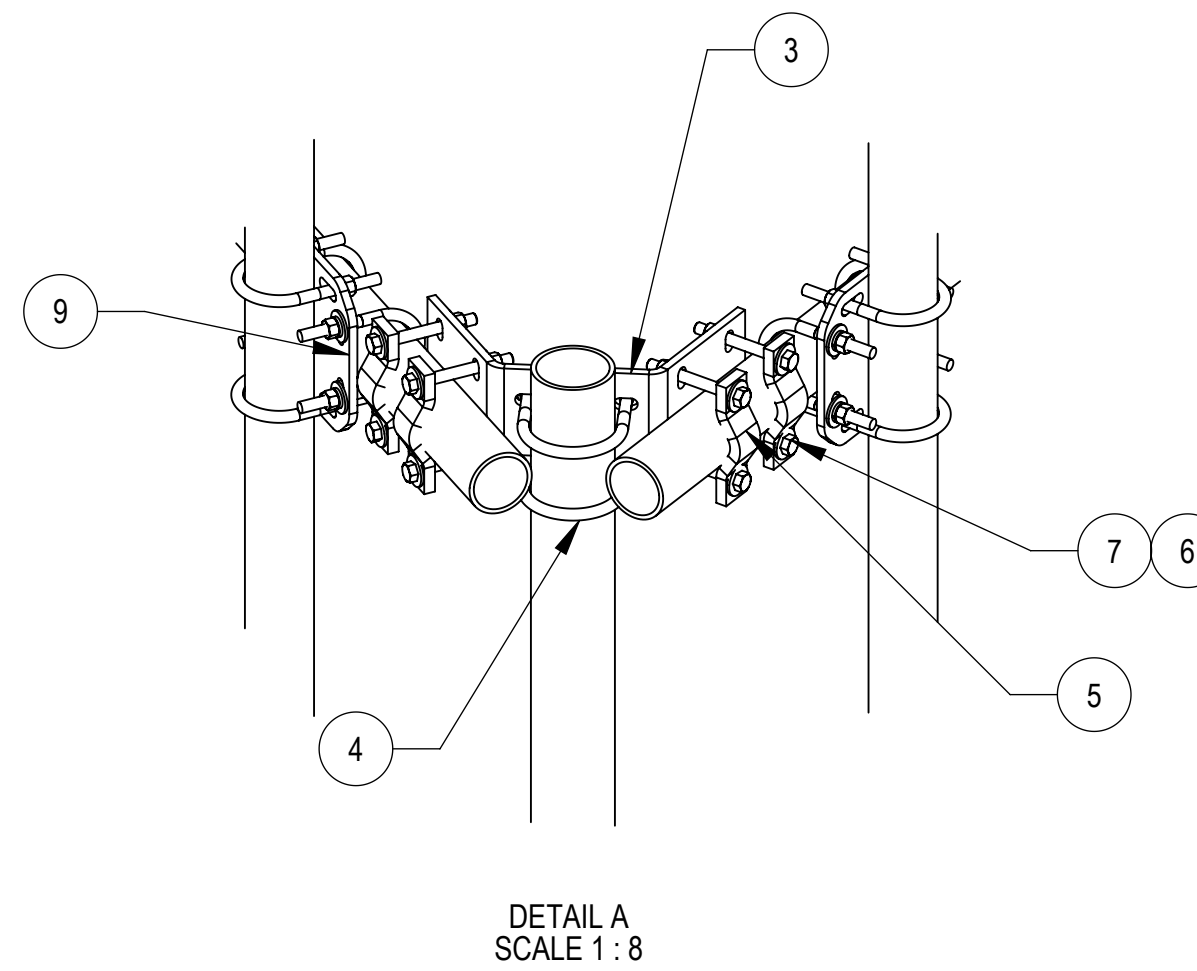
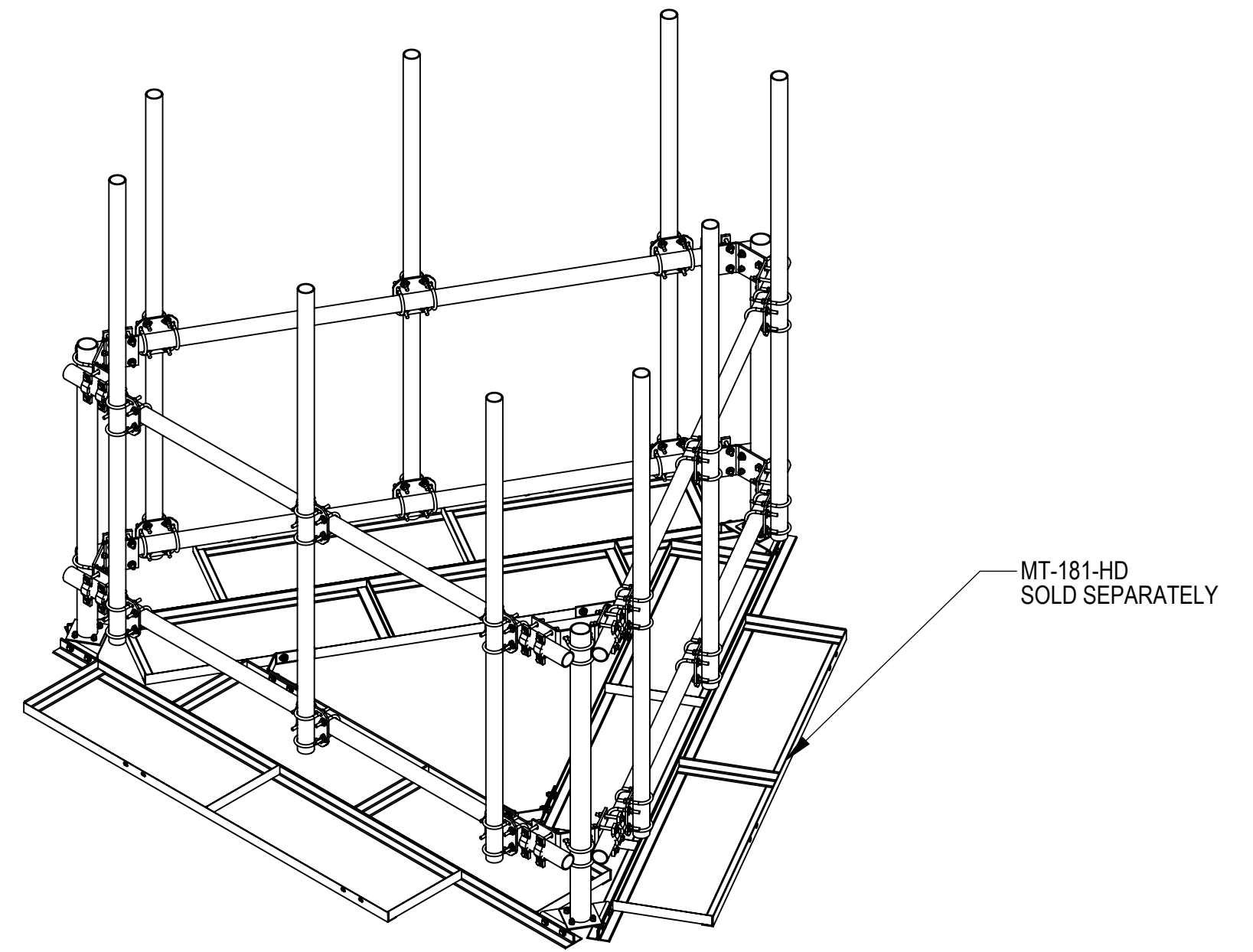
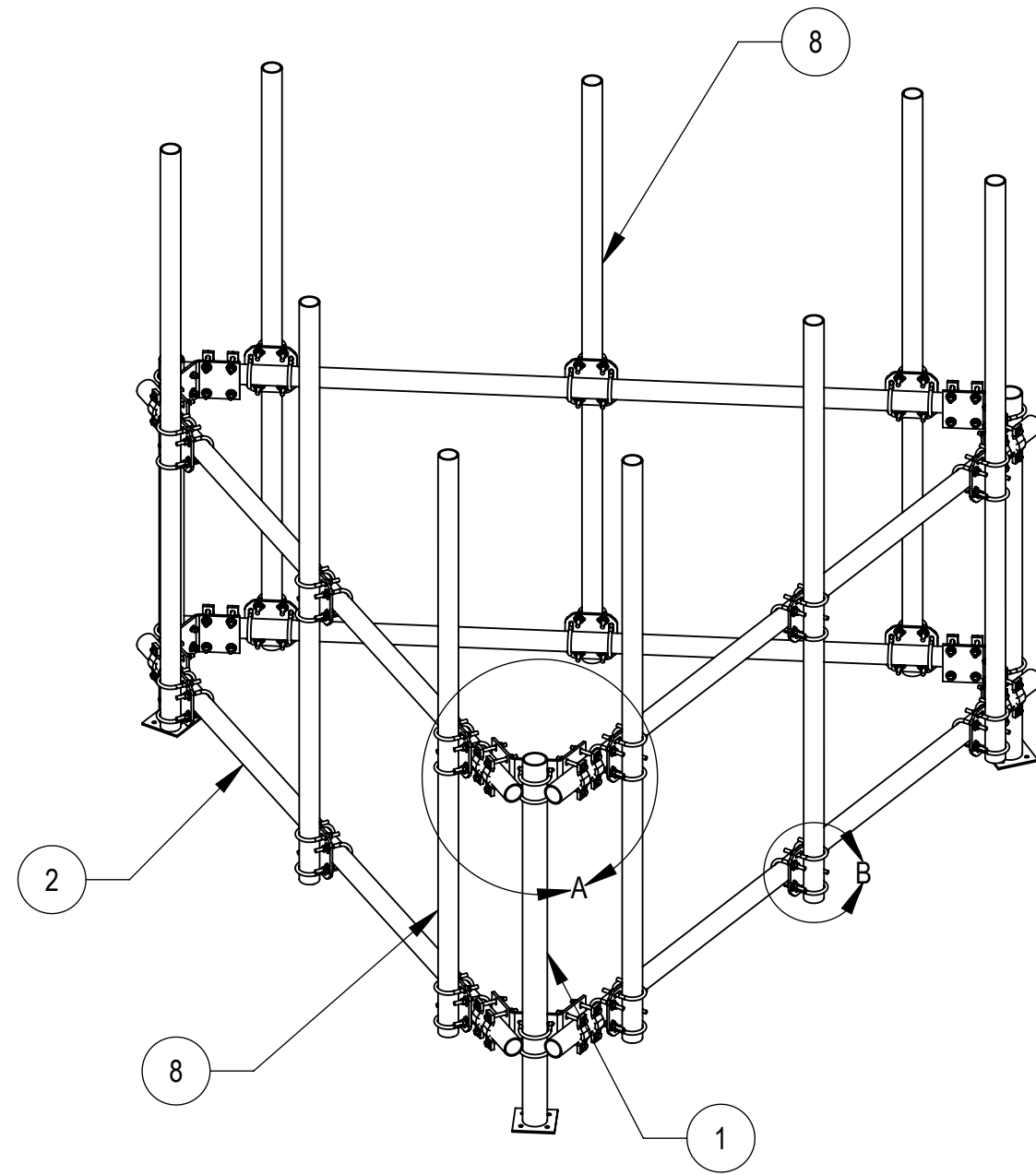


DENSITY	0.28	lbs/in ³
MASS	1157.12	lbs
VOLUME	4080.47	in ³
SURFACE AREA	38559.90	in ²
HEIGHT	100.57"	
LENGTH	132.19"	
WIDTH	115.19"	

COMMSCOPE, INC. OF NORTH CAROLINA

TOLERANCES		SAP MATERIAL MASTER						
1 PLACE .X ± 0.06	3 PLACE .XXX ± 0.010	MT-180-HD						
2 PLACE .XX ± 0.03	ANGLES ± 2°	MATERIAL SEE BOM						
FINISH SEE NOTE 3.2		MATERIAL SEE BOM						
UNLESS OTHERWISE SPECIFIED DIMENSIONS ARE IN INCHES INTERPRET PER ANSI Y 14.5M-1994		TRI SECTOR RT FRAME 10' FACE W/9 96" AP						
CE	XZ1054 11/11/2021							
RW	XZ1054 11/26/2021	SCALE: 1:25 DOCUMENT NO. MT-180-HD						
AD	BA1025 11/26/2021							
RE	XZ1054 11/28/2021	DRAWING						
ECN	40138952CMO							
SIZE	Auth Group INSL	VERSION STATUS REVISION						
C								
		00	RE	A	00	RE	A	SHEET 1 OF 2

NOTES:



ITEM NO.	PART NUMBER	DESCRIPTION	QTY.	WEIGHT	NOTE NO.
1	MT180.01	CORNER UPRIGHT (WELDMENT)	3	40.07 LBS	
2	MT546120	2.875" O.D. X 120" PIPE	6	30.45 LBS	
3	MT180HD-1000	MTC3150 BRACKET	6	11.36 LBS	
4	GUB-4355	1/2" X 3-5/8" X 5" GALV U-BOLT	12	0.166 LBS	
5	SCP10	SMALL DISH CLAMP HALF	24	1.2 LBS	
6	GWF-04	1/2" GALV FLAT WASHER	96	0.04 LBS	
7	GB-0444A	1/2" X 4-1/2" GALV BOLT KIT (A325)	48	0.28 LBS	
8	MT54696	Ø 2.875" O.D. X 96 SCH40 PIPE	9	45.96 LBS	
9	XP-2525	CROSSOVER PLATE 2.875" O.D. TO 2.875" O.D.	18	12.67 LBS	

COMMSCOPE, INC. OF NORTH CAROLINA				
TITLE TRI SECTOR RT FRAME 10' FACE W/9 96" AP				
SIZE C	SCALE 1:25	DOCUMENT NO. MT-180-HD		
		DRAWING		SHEET
		VERSION	STATUS	REVISION
		00	RE	A
				2 OF 2