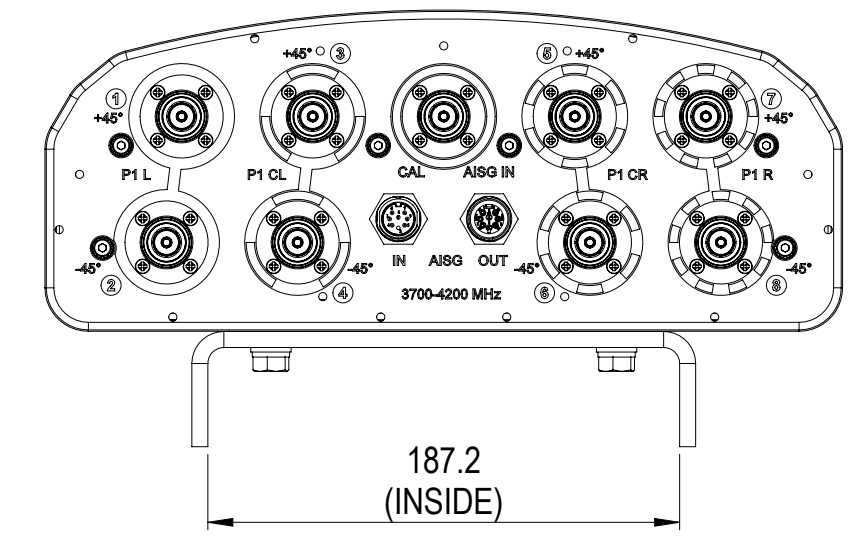


S4-90M-R1B

REVISIONS			
REV.	DESCRIPTION	DATE	APPROVED
A	ECR 8000043245: RELEASE TO PRODUCTION PER EAO 608759.	11NOV20 PBS	PA/SAS



COMMSCOPE, INC. OF NORTH CAROLINA

TOLERANCES		SAP MATERIAL MASTER	
0 PLACE X ±	2 PLACE .XX ±		
1 PLACE .X ±	ANGLES ±		
FINISH		MATERIAL	
<small>UNLESS OTHERWISE SPECIFIED DIMENSIONS ARE IN MILLIMETERS INTERPRET PER ISO STANDARDS HANDBOOK TECHNICAL DRAWINGS VOLUMES 1 & 2, THIRD EDITION (2002)</small>		NAME	DATE
		CE PSHARMA2	11/02/2020
		RW PSHARMA2	01/28/2021
		AD RM1142	01/28/2021
		RE AC1095	01/28/2021
ECN 8000043245-O		SCALE	DOCUMENT NO.
		1:3	S4-90M-R1B-L
		SIZE	WORK AREA
A2		23	
		MODEL	
VERSION	STATUS	REVISION	DRAWING
00	RE	A	VERSION STATUS REVISION
			00 RE A
			SHEET
			1 OF 1

DENSITY	g/mm ³
MASS	grams
VOLUME	mm ³
SURFACE AREA	mm ²
HEIGHT	
LENGTH	
WIDTH	