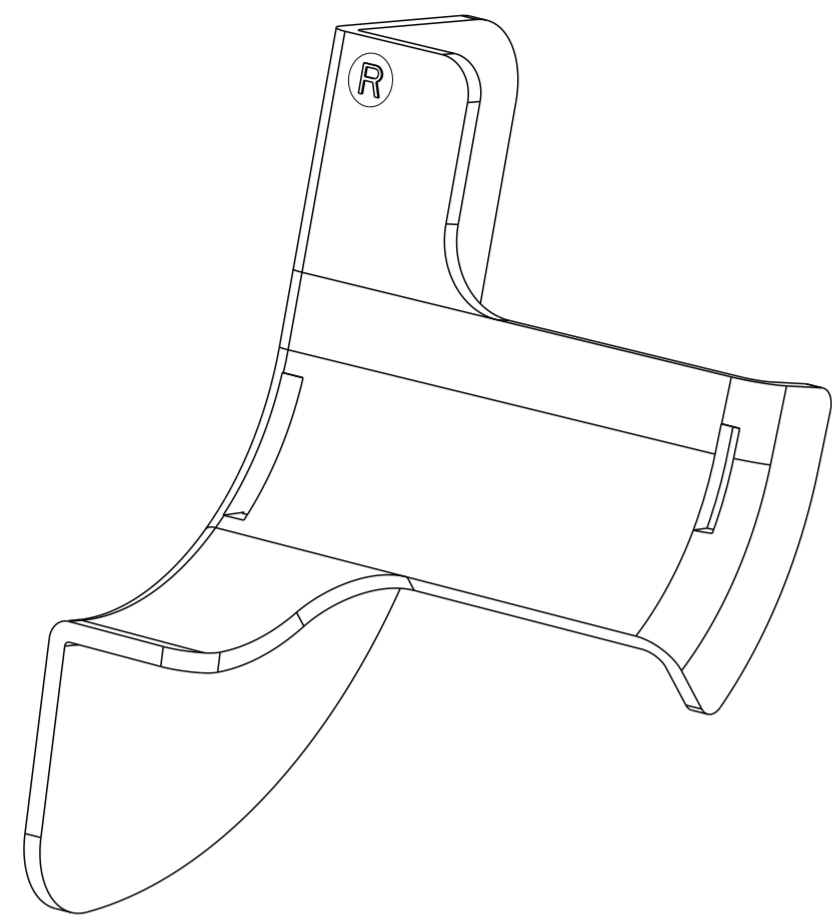
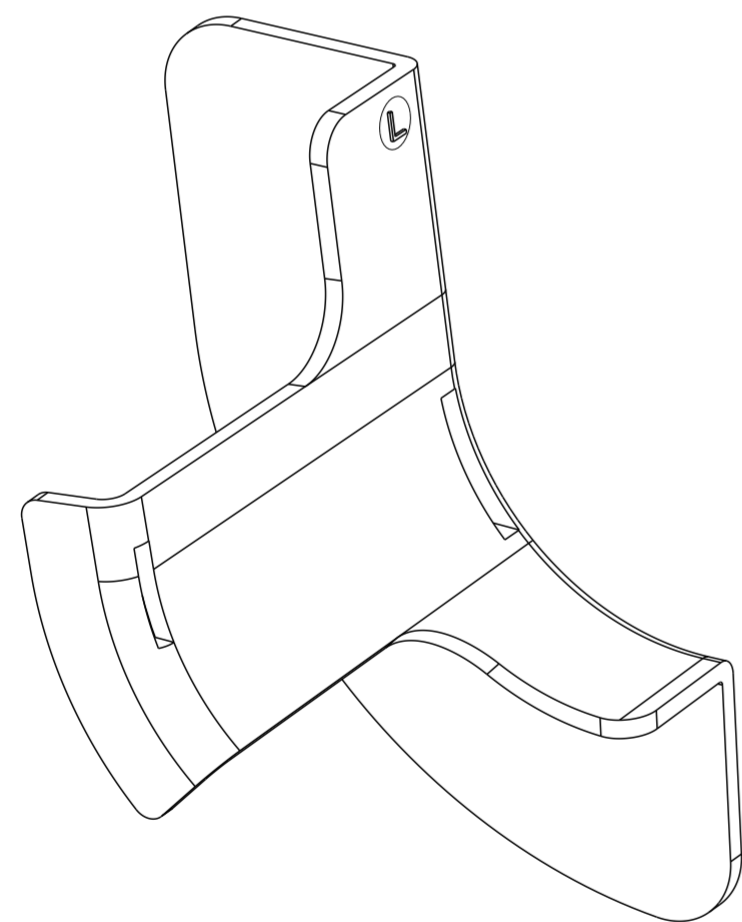


REVISIONS			
REV	CMO	DATE	APPROVED
A	40169734CMO	18-MAY-2023	JDG

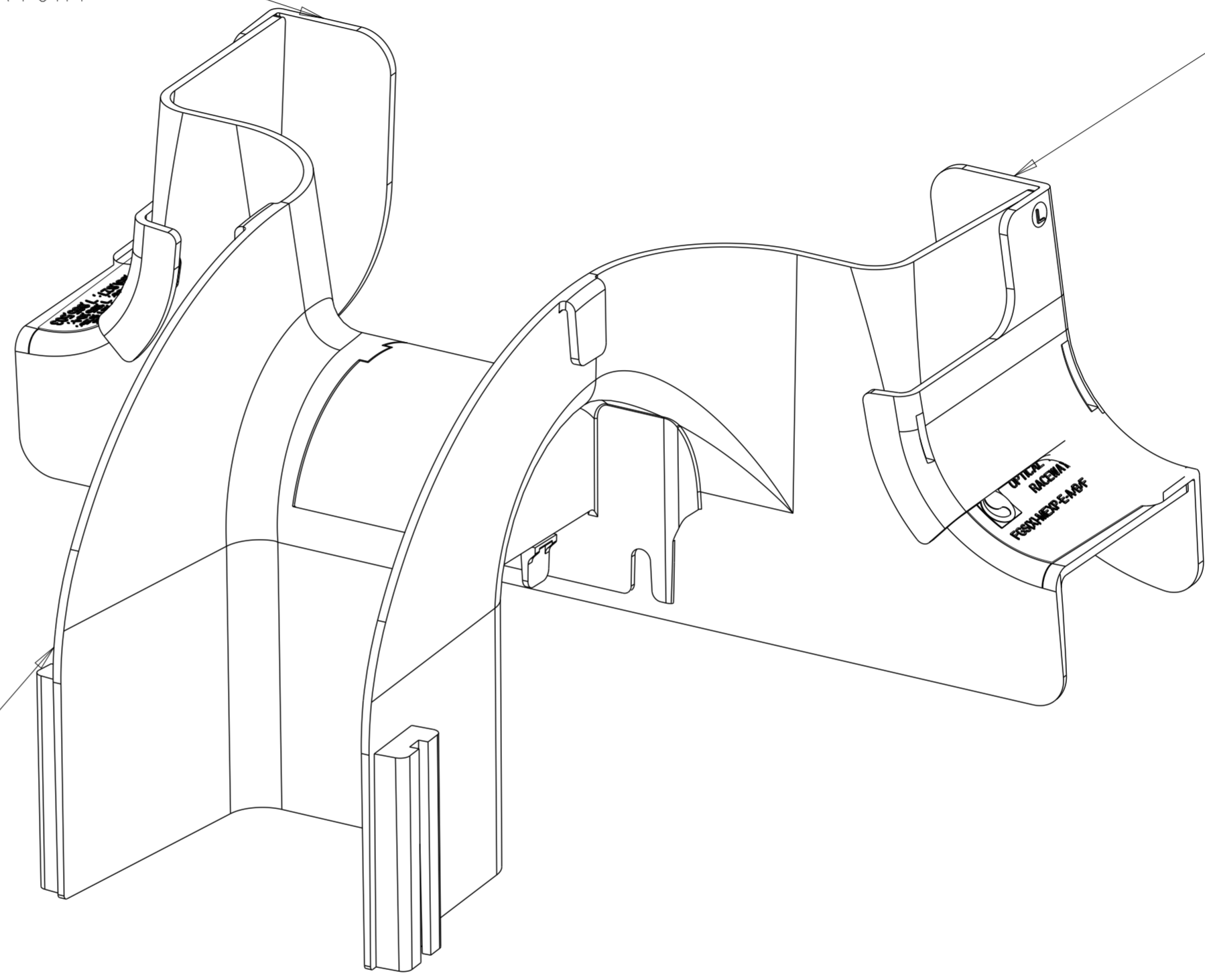


VIEW SIZE (R)
ONLY REF



VIEW SIZE (L)
ONLY REF

BRACKET, FIBER
RETAINING RIGHT



BRACKET, FIBER
RETAINING LEFT

REF ONLY

COMPONENT LIST #1	
DESCRIPTION	QTY
BRACKET, RETAINING FIBER RIGHT	1
BRACKET, RETAINING FIBER LEFT	1

FGSB-ACC002	BLACK
CATALOG NO.	COLOR

INSTALLATION INSTRUCTIONS:

- PLACE FIBER RETAINING BRACKETS ON EXPRESS EXIT BY ALIGNING RAISED TAB ON BRACKET WITH CUT OUT ON EXPRESS EXIT AND ROTATE TOWARDS EXPRESS EXIT UNTIL SNAPPED INTO PLACE.

COMMSCOPE, INC.			
DRAFTER JAVIER GARCIA		TITLE KIT, BRACKET, RESTRAINING, L/R, FGS (CUSTOMER DRAWING)	
ENGINEER RUBEN ARVILLA		SIZE A2	SCALE 1.000
		DOCUMENT NO. 660106039	
CUSTOMER DRAWING			REVISION A
			SHEET 1 OF 1