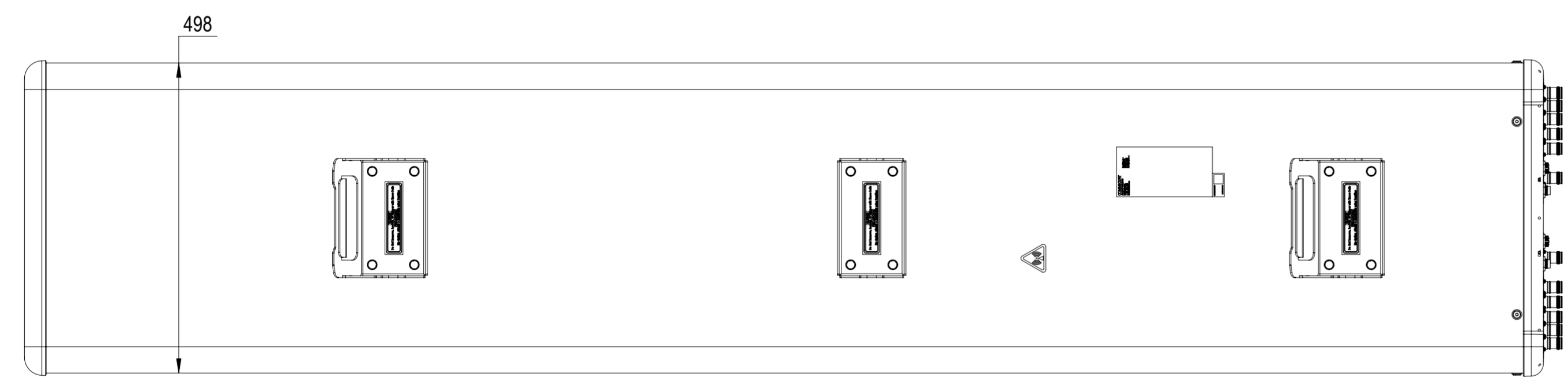
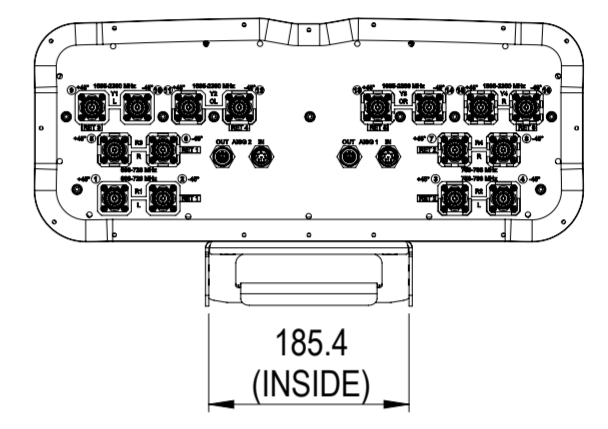
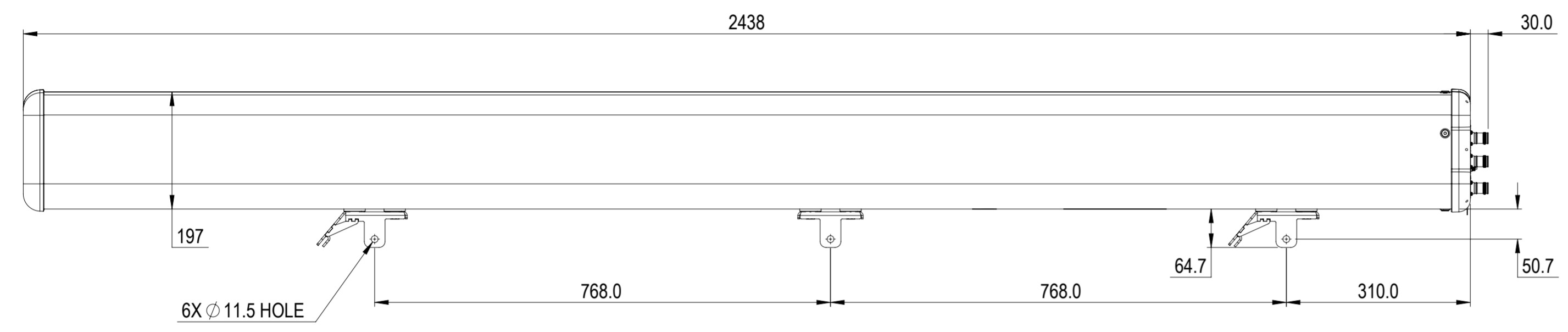


REVISIONS			
REV.	DESCRIPTION	DATE	APPROVED
A	ECR 40167930CMO: RELEASE TO PRODUCTION PER EAO 612202.	20MAR23 NH	PA/AA



J4H4-65C-R6

COMMSCOPE, INC. OF NORTH CAROLINA

TOLERANCES		SAP MATERIAL MASTER	
0 PLACE X ±	2 PLACE .XX ±		
1 PLACE .X ±	ANGLES ±		
FINISH		MATERIAL	

UNLESS OTHERWISE SPECIFIED DIMENSIONS ARE IN MILLIMETERS INTERPRET PER ISO STANDARDS HANDBOOK TECHNICAL DRAWINGS VOLUMES 1 & 2, THIRD EDITION (2002)	NAME	DATE	PRODUCT DRAWING
	CE NH1031	02/28/2023	
	RW NH1031	04/05/2023	
	AD AN1072	04/05/2023	
	RE RK1070	04/05/2023	
ECN 40167930CMO			SCALE: 1:7
			DOCUMENT NO. J4H4-65C-R6-L

DENSITY	g/mm ³		
MASS	grams		
VOLUME	mm ³		
SURFACE AREA	mm ²		
HEIGHT		SIZE	Auth Group BSA
LENGTH		MODEL	VERSION STATUS REVISION
WIDTH		A2	00 RE A

DRAWING			SHEET		
VERSION	STATUS	REVISION	VERSION	STATUS	REVISION
00	RE	A	00	RE	A

1 OF 1