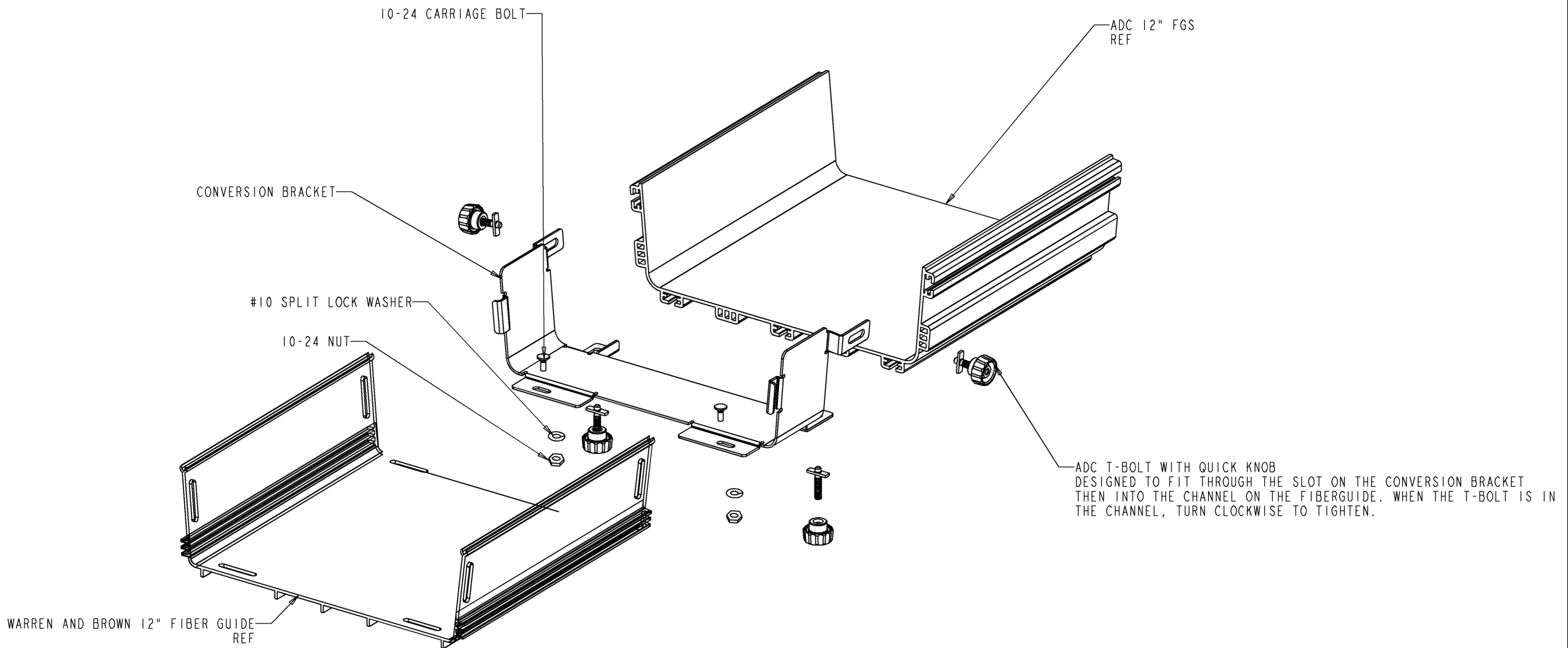


REV	MCO	DWN	DATE
A	20245861	GTC	05-AUG-08



- NOTES:
- THIS CONVERSION KIT INCLUDES THE FOLLOWING:
    - CONVERSION BRACKET (1)
    - 1/4-20 X 1.00 T-BOLT (4)
    - QUICK KNOB (4)
    - 10-24 CARRIAGE BOLT (2)
    - #10 LOCK WASHER (2)
    - 10-24 NUT (2)

**CATALOG NUMBER: FGS-ACC155**



INFORMATION ON THIS DOCUMENT IS PROPRIETARY TO ADC AND SHALL NOT BE USED, COPIED, REPRODUCED OR DISCLOSED IN WHOLE OR IN PART WITHOUT WRITTEN CONSENT OF ADC.		TITLE 12" FGS ADAPTER INSTALLATION	
ALL DIMS AND TOLERANCES ARE INCHES UNLESS OTHERWISE SPECIFIED	.XX:±.XX .XXX:±.XXX ANGULAR:±N/A	C SIZE	DRAWING NUMBER 1450016
DO NOT SCALE DRAWING		ENGR: DEREK SAYRES DWN: GLEN CORDLE	A REV
		SHT. 1 OF 1	

**DIMENSIONS IN INCHES  
THIRD ANGLE PROJECTION**