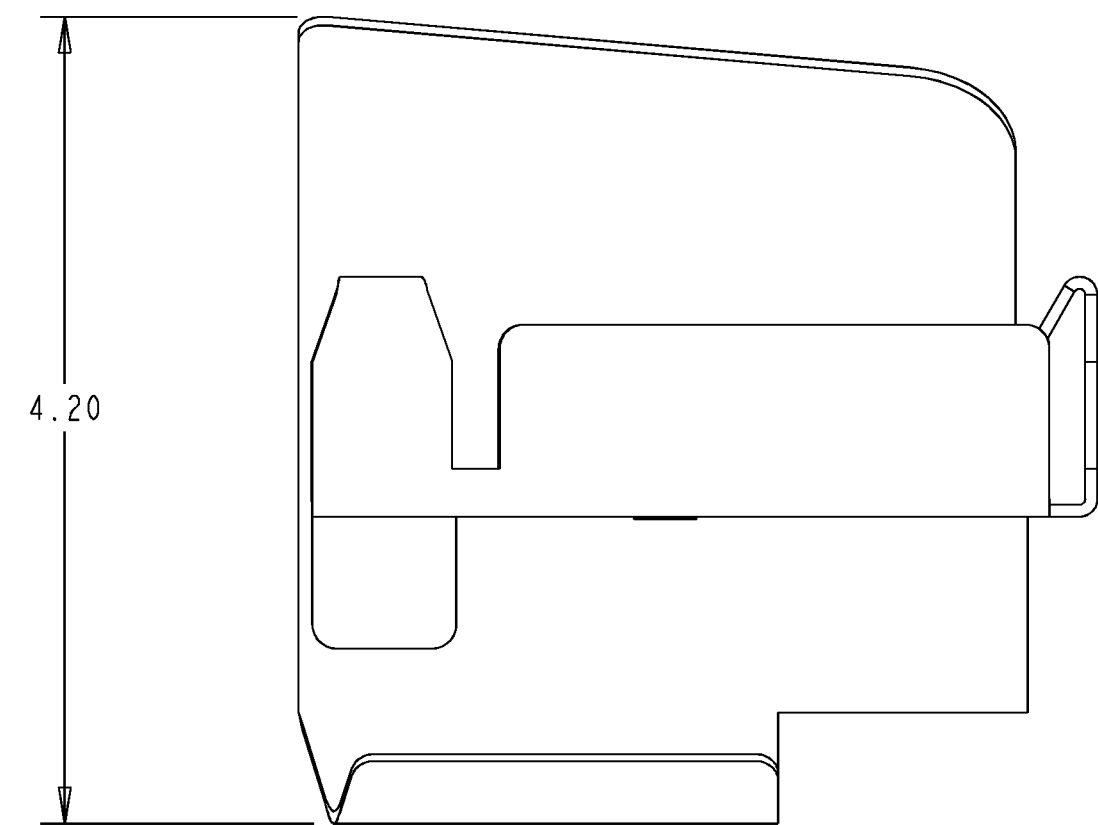
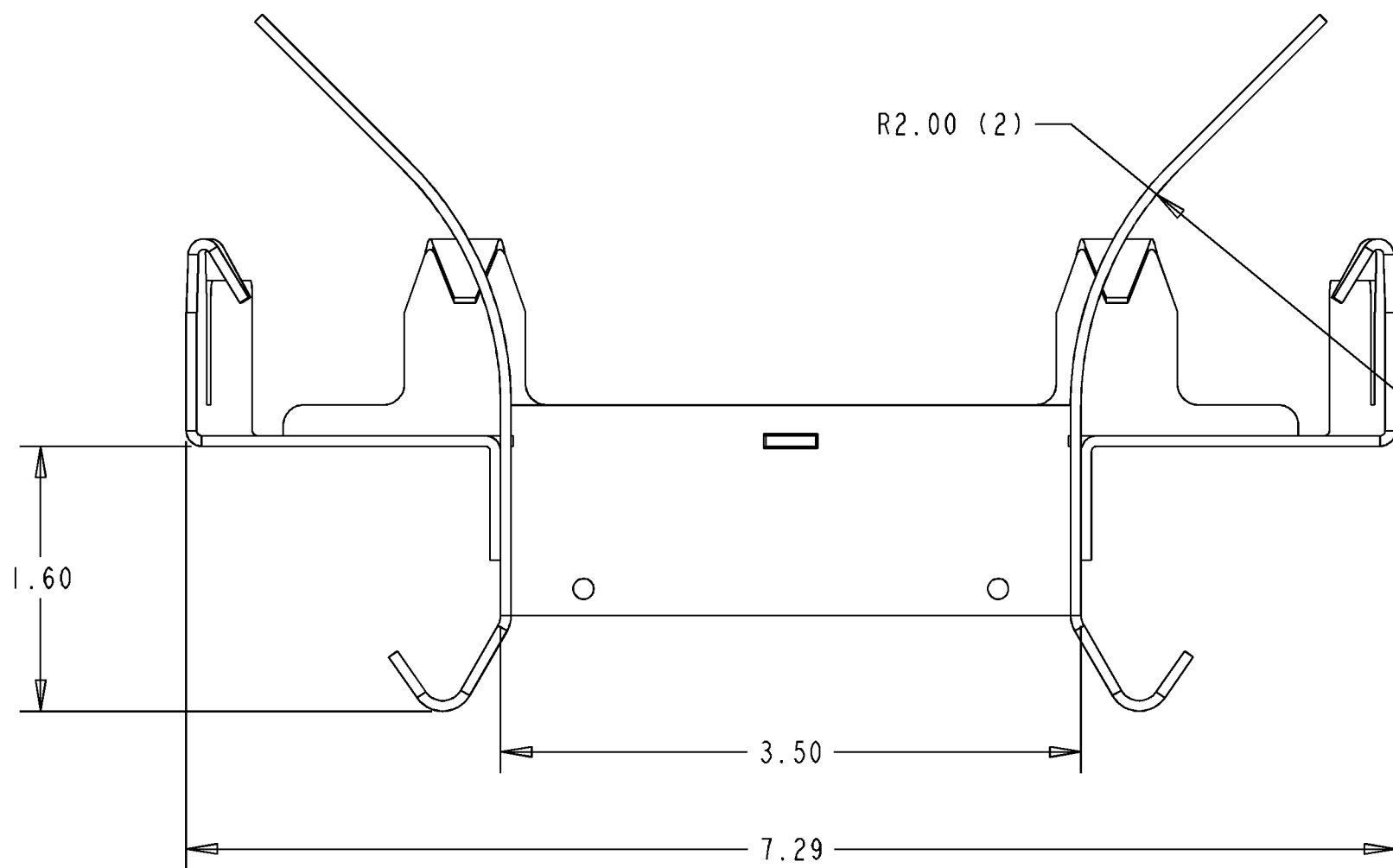
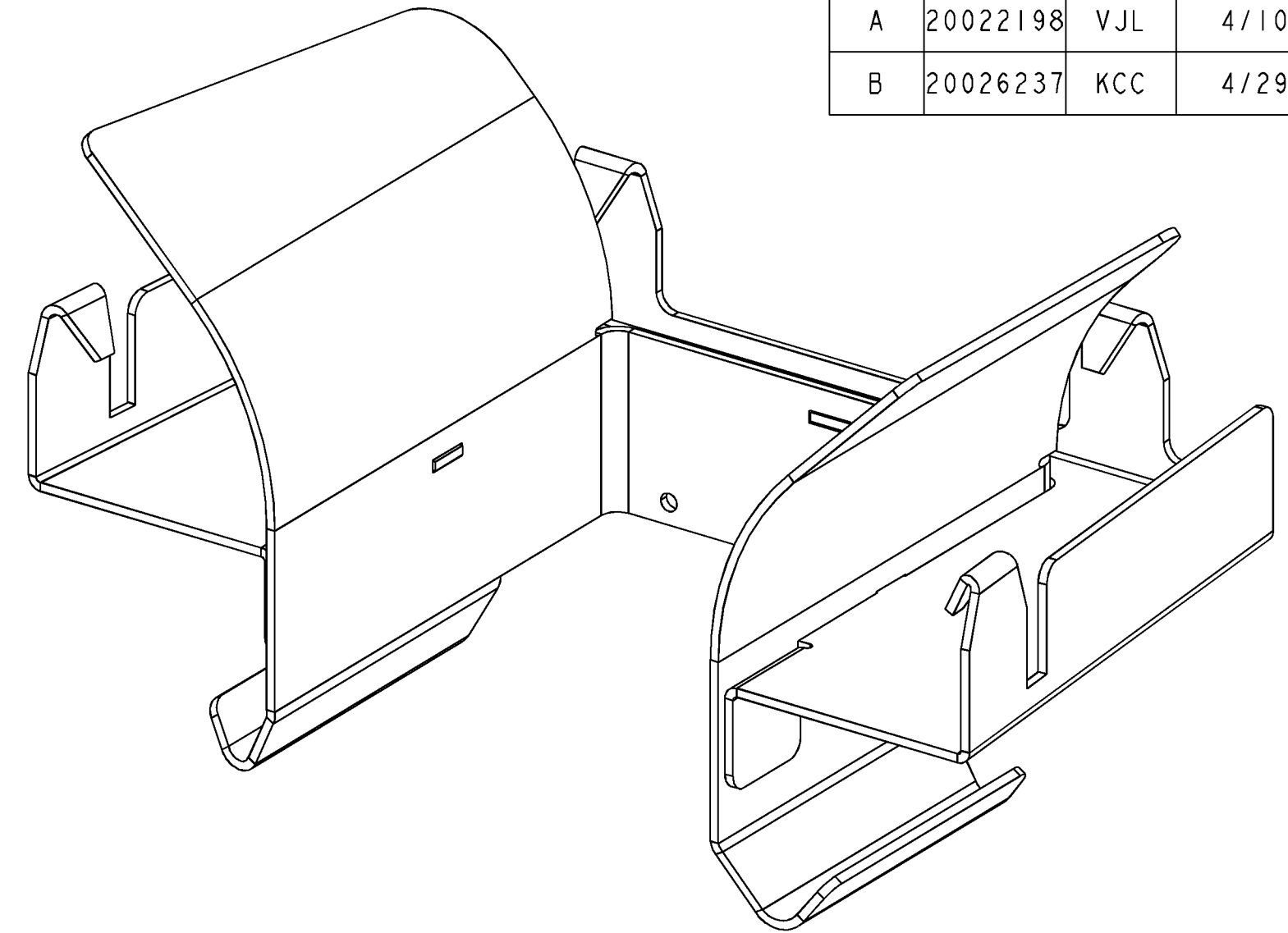
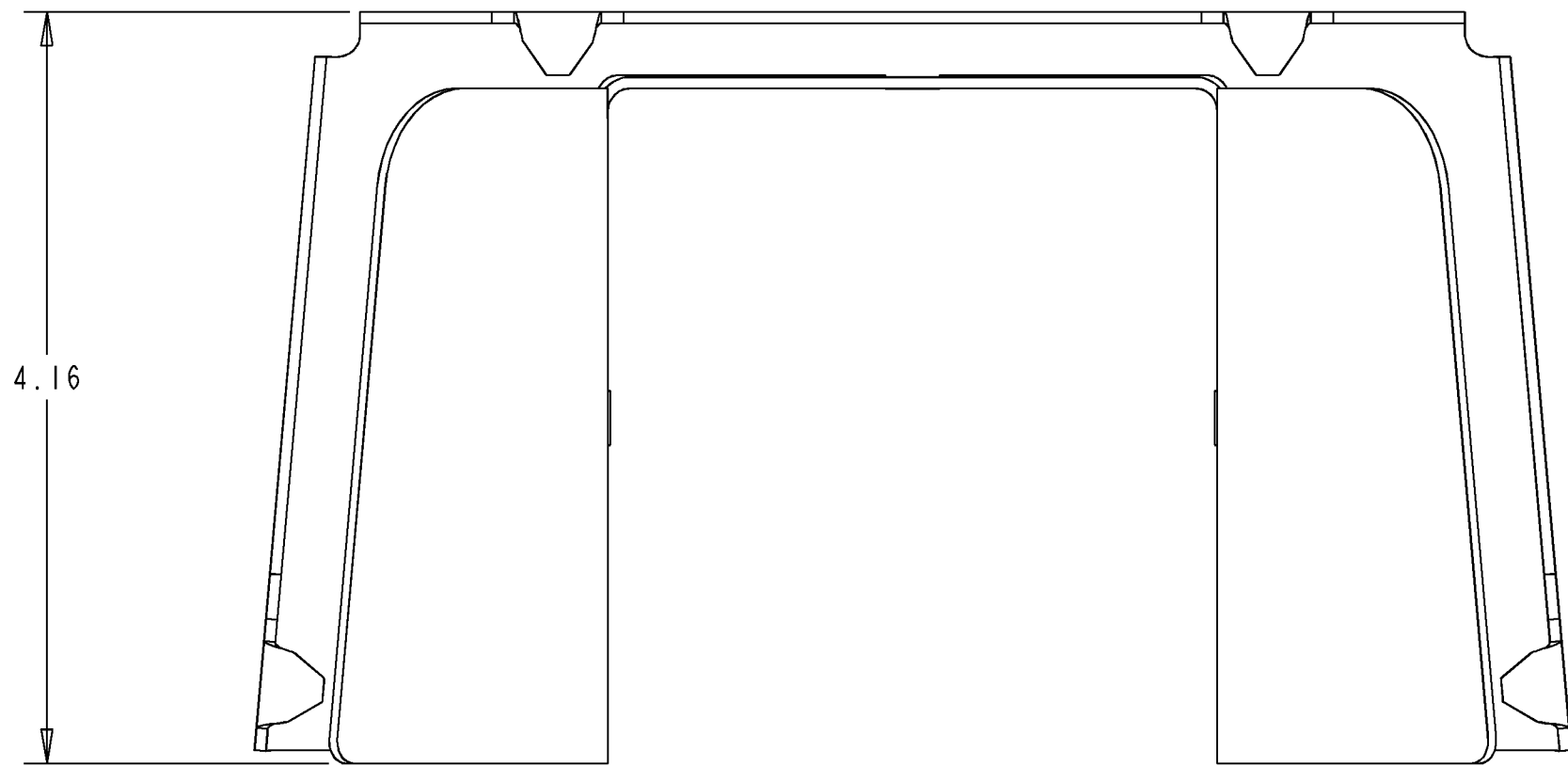


REV	ECO	DWN	DATE
A	20022198	VJL	4/10/99
B	20026237	KCC	4/29/99



NOTES:

1. KIT INCLUDES A 6" TO 4" FIBERGUIDE DOWNSPOUT ADAPTER.



TELECOMMUNICATIONS

INFORMATION ON THIS DOCUMENT IS PROPRIETARY TO ADC AND SHALL NOT BE USED, COPIED, REPRODUCED OR DISCLOSED IN WHOLE OR IN PART WITHOUT WRITTEN CONSENT OF ADC.

TOLERANCE UNLESS OTHERWISE SPECIFIED: .XX: ±.02
 .XXX: ±.010
 ANGULAR: ±2°

TITLE
 FGS 6" TO SLOTTED VERT 4" ADAPTER KIT INSTL DWG

SIZE: C
 DRAWING NUMBER: 1050861
 B REV

DO NOT SCALE DRAWING

ENGR: JUSTIN HORTON
 DWN: VERN LOCH

SHT. 1 OF 1