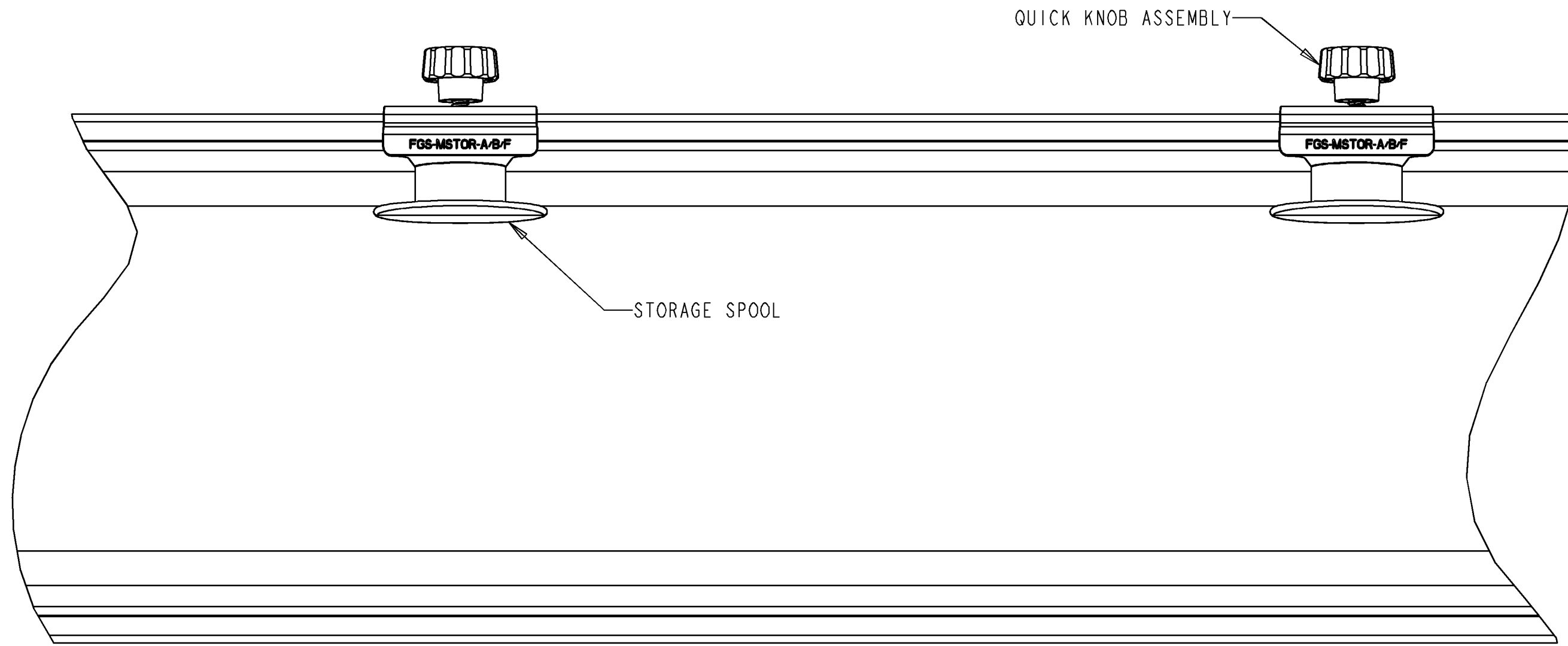
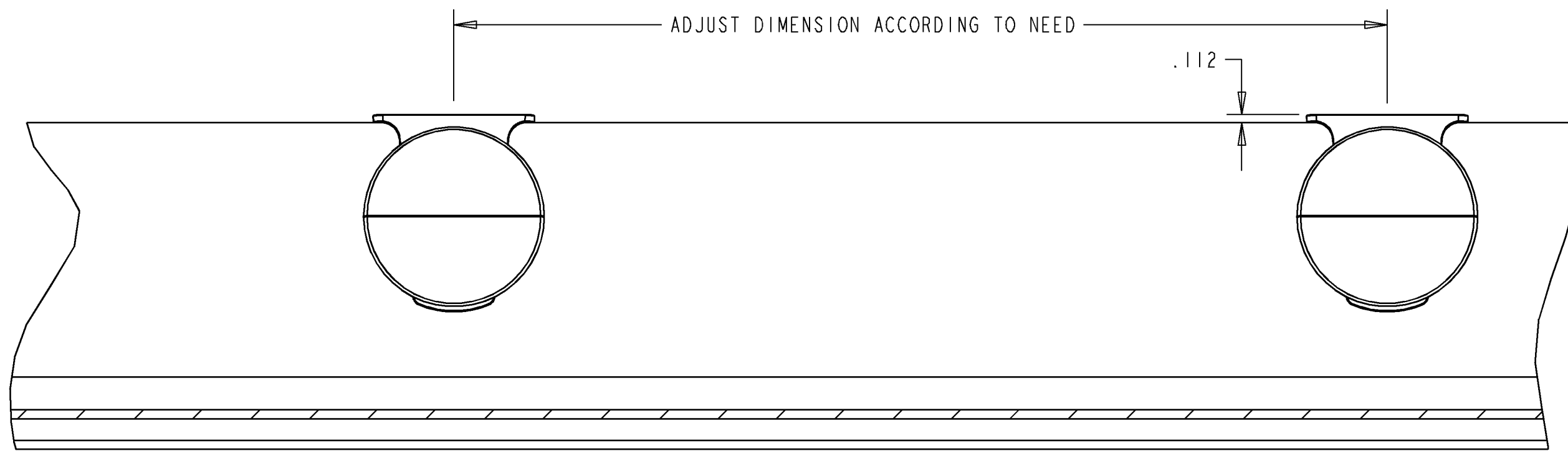


REV	MCO	DWN	DATE
A	20101054	JRA	25-SEP-01
B	20172352	GNM	30-JUN-05



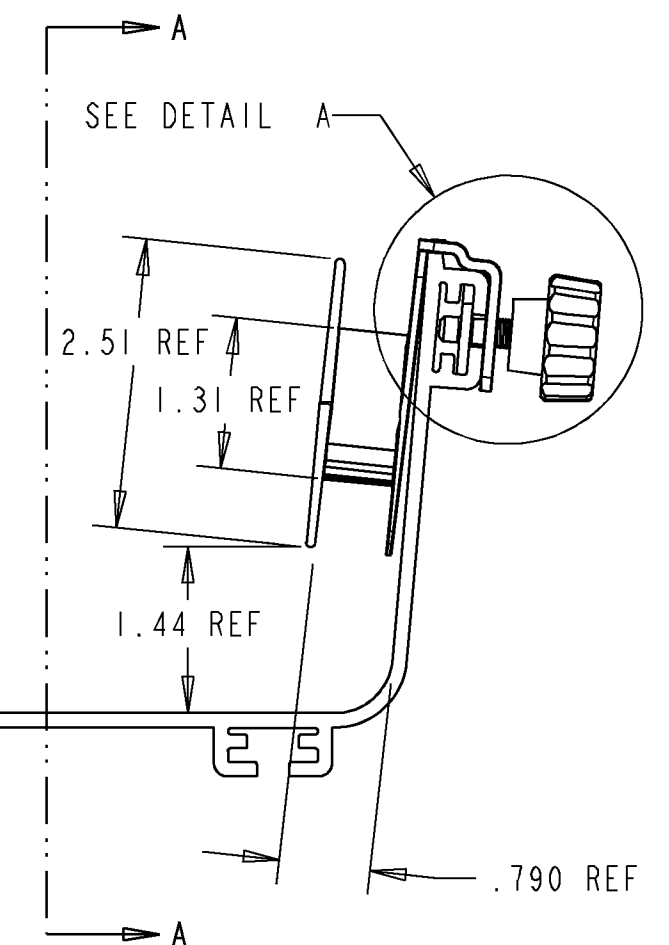
FIBER CABLE STORAGE DIRECTIONS:

1. LOOSELY WRAP FIBER CABLE AROUND BOTH STORAGE SPOOLS, AS REQUIRED.  
\*DO NOT WRAP FIBER CABLE TIGHTLY AROUND STORAGE SPOOL\*
2. STORAGE OF SLACK FIBER CABLE MUST UTILIZE BOTH STORAGE SPOOLS.  
\*FIBER CABLE MUST NOT BE COILED AROUND A SINGLE SPOOL\*



FIBERGUIDE STRAIGHT SECTION REFERENCE

T-CHANNEL REF.



INSTALLATION INSTRUCTIONS:

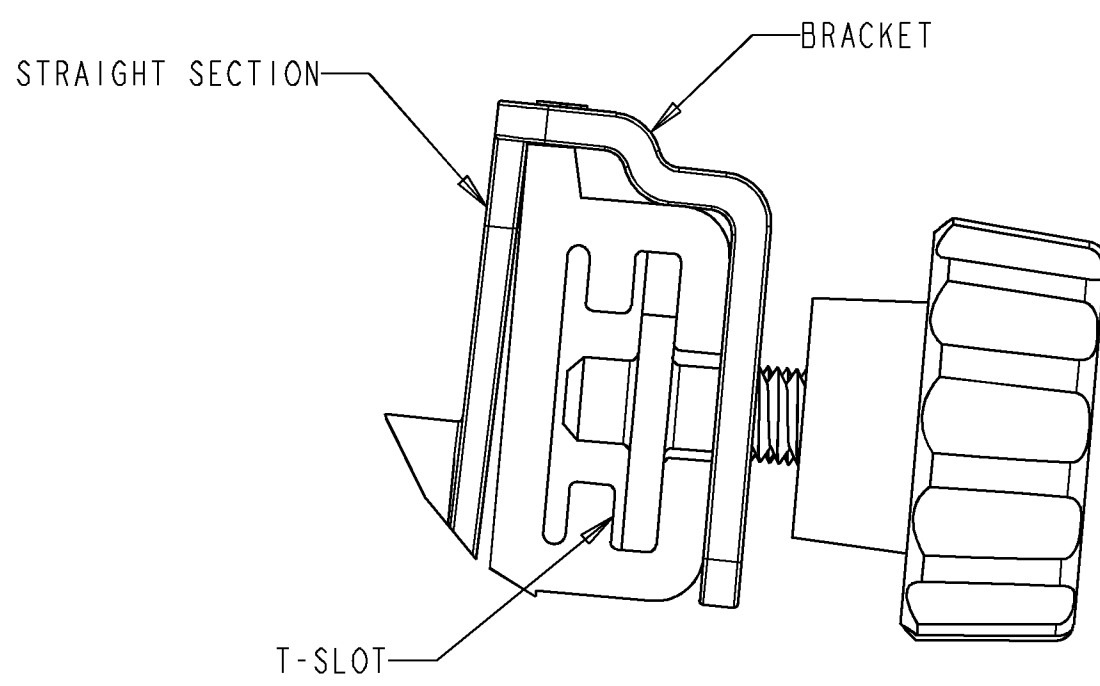
1. KIT INCLUDES THE FOLLOWING:  
(2) STORAGE SPOOLS  
(2) QUICK KNOBS
2. LOCATE STORAGE SPOOLS ON FIBERGUIDE STRAIGHT SECTION AS SHOWN.
3. INSERT QUICK KNOB THROUGH SLOT ON STORAGE SPOOL, INTO T-CHANNEL IN FIBERGUIDE STRAIGHT SECTION. ROTATE QUICK KNOB CLOCKWISE, SO THAT QUICK KNOB FLANGES EXTEND INTO T-SLOT. HAND TIGHTEN KNOB.
4. ADJUST SPACING BETWEEN STORAGE SPOOLS PER CUSTOMER REQUIREMENT, AND TIGHTEN QUICK KNOB NUTS COMPLETELY.

CATALOG #: FGS-MSTOR-A/B/F



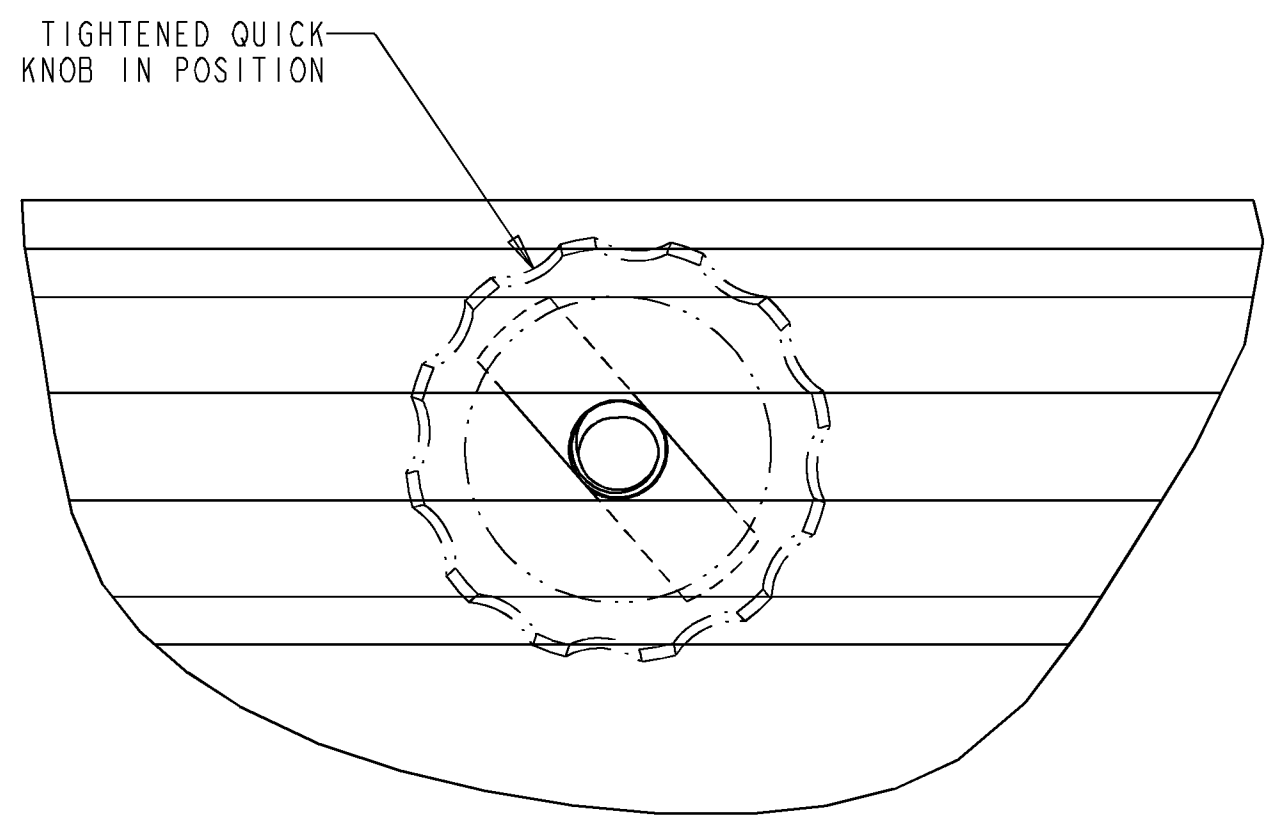
INFORMATION ON THIS DOCUMENT IS PROPRIETARY TO ADC AND SHALL NOT BE USED, COPIED, REPRODUCED OR DISCLOSED IN WHOLE OR IN PART WITHOUT WRITTEN CONSENT OF ADC.		TITLE SPOOL, SLACK STORAGE 4", 6", 12" FGS INSTALLATION DWG	
ALL DIMS AND TOLERANCES ARE INCHES UNLESS OTHERWISE SPECIFIED	.XX:±.02 .XXX:±.010 ANGULAR:±2	C SIZE	DRAWING NUMBER 1198822
DO NOT SCALE DRAWING	ENGR: M. FERRIS DWN: J. ANDERSON	B REV	
		SHT. 1 OF 2	

DIMENSIONS IN INCHES  
THIRD ANGLE PROJECTION



QUICK KNOB ASSEMBLY

DETAIL A  
QUICK KNOB INSTALLATION  
SCALE 2.000



SCALE 2.000



INFORMATION ON THIS DOCUMENT IS PROPRIETARY TO ADC AND SHALL NOT BE USED, COPIED, REPRODUCED OR DISCLOSED IN WHOLE OR IN PART WITHOUT WRITTEN CONSENT OF ADC.

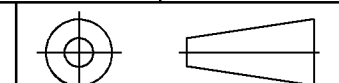
TITLE SPOOL, SLACK STORAGE  
4", 6", 12" FGS  
INSTALLATION DWG

ALL DIMS AND TOLERANCES .XX:±.02  
ARE INCHES UNLESS .XXX:±.010  
OTHERWISE SPECIFIED ANGULAR:±2

C SIZE DRAWING NUMBER B REV

DO NOT SCALE DRAWING ENGR: M. FERRIS  
DWN: J. ANDERSON

SHT. 2 OF 2



DIMENSIONS IN INCHES  
THIRD ANGLE PROJECTION