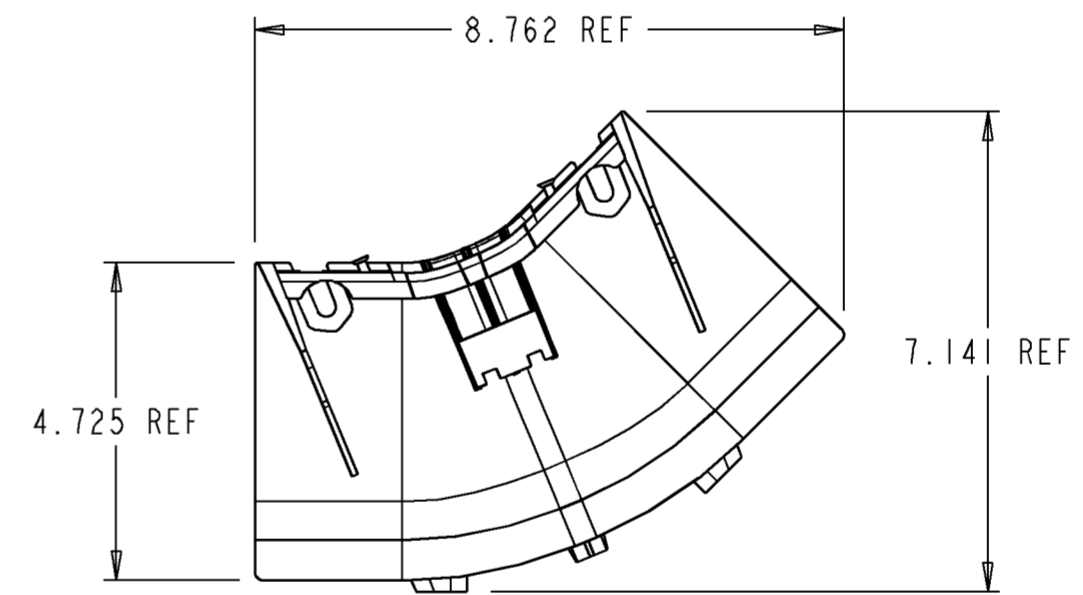
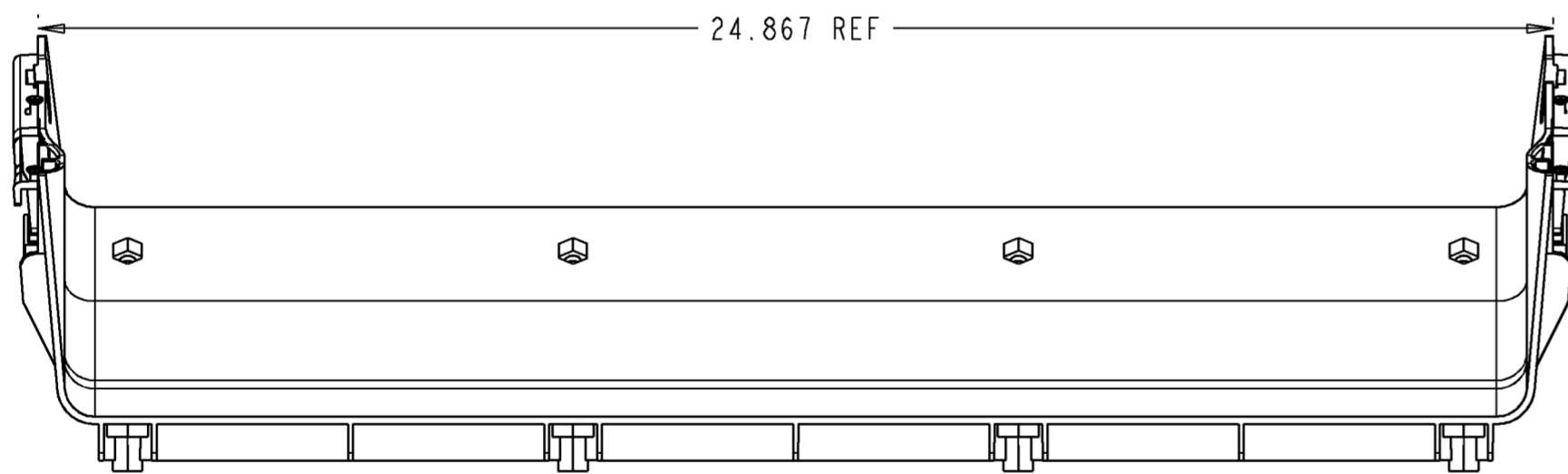
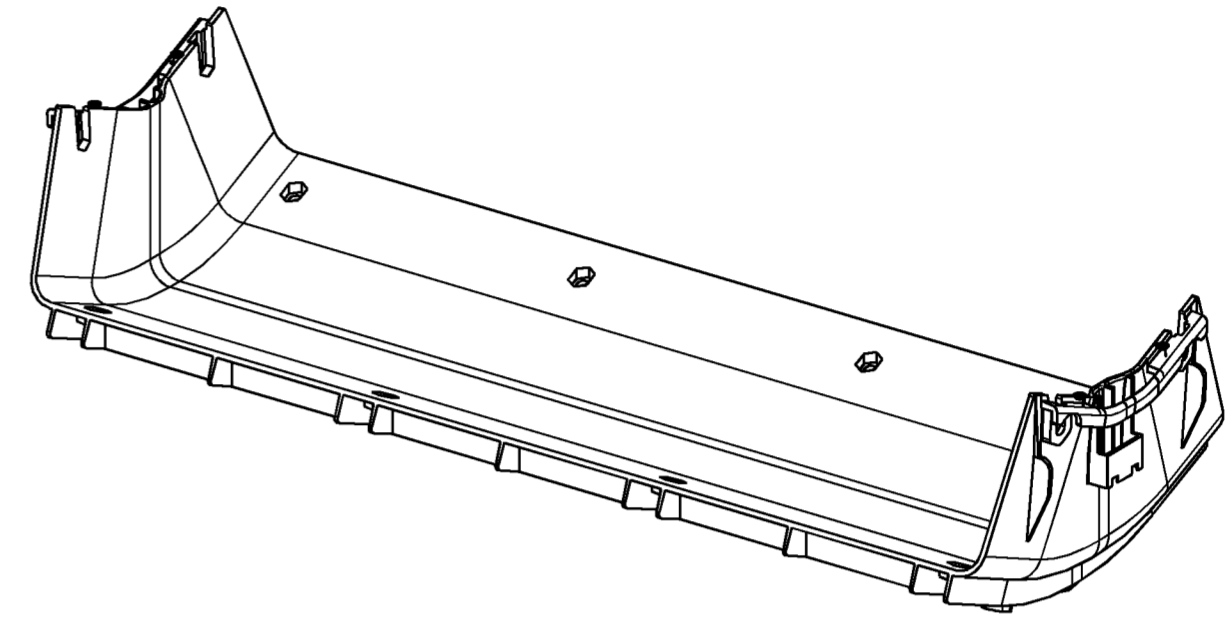
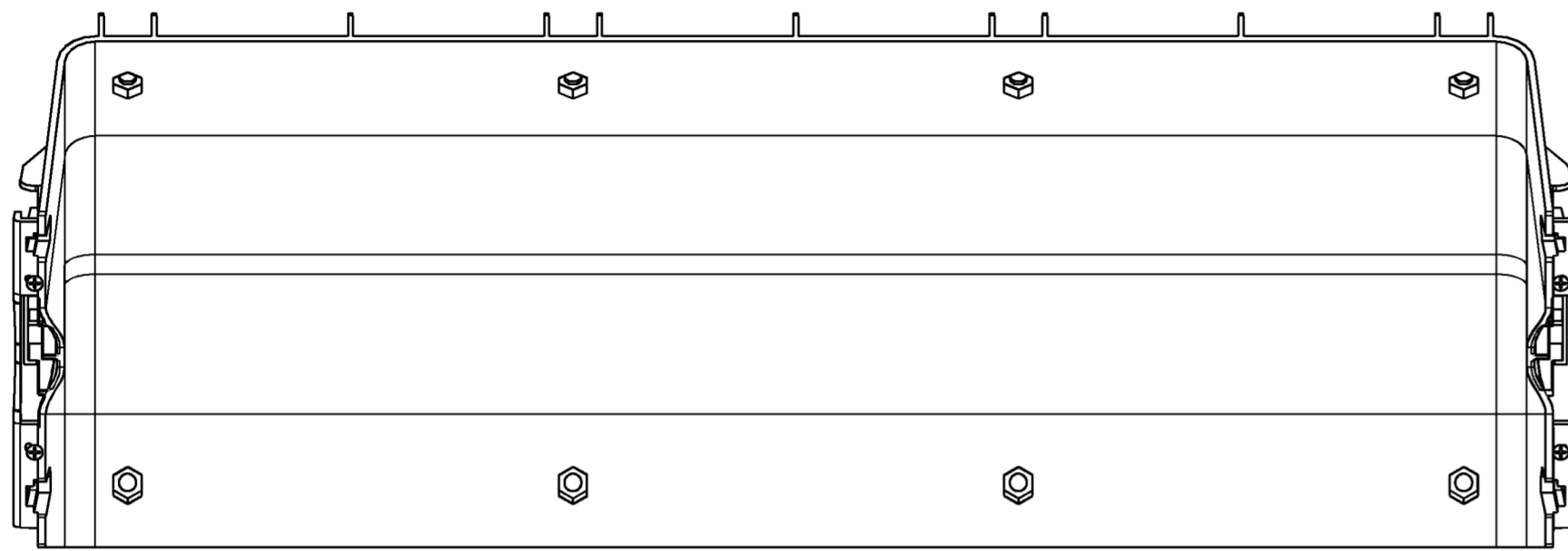


REV	MCO	DWN	DATE
A	20250956	GTC	08-OCT-08
B	20256280	DGS	08-JAN-09



LIST OF PARTS IN KIT		
ITEM	DESCRIPTION	QTY
001	24" 45° UP ELBOW	1
002	#6-32 X .375 SELF THREADING FLATHEAD SCREW	4
004	FIBER RETAINER SPLIT COVER	2

FGSB-MU4E-H	BLACK
FGSO-MU4E-H	ORANGE
FGS-MU4E-H	YELLOW
CATALOG NUMBER	COLOR



INFORMATION ON THIS DOCUMENT IS PROPRIETARY TO ADC AND SHALL NOT BE USED, COPIED, REPRODUCED OR DISCLOSED IN WHOLE OR IN PART WITHOUT WRITTEN CONSENT OF ADC.

ALL DIMS AND TOLERANCES ARE INCHES UNLESS OTHERWISE SPECIFIED

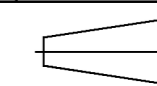
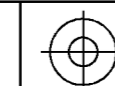
DO NOT SCALE DRAWING

TITLE FGS 24" 45 DEG UP ELBOW KIT INSTALLATION DRAWING

DRAWING NUMBER 1455926

ENGR: DEREK SAYRES
DWN: GLEN CORDLE

SHT. 1 OF 2



**DIMENSIONS IN INCHES
THIRD ANGLE PROJECTION**

A

B

C

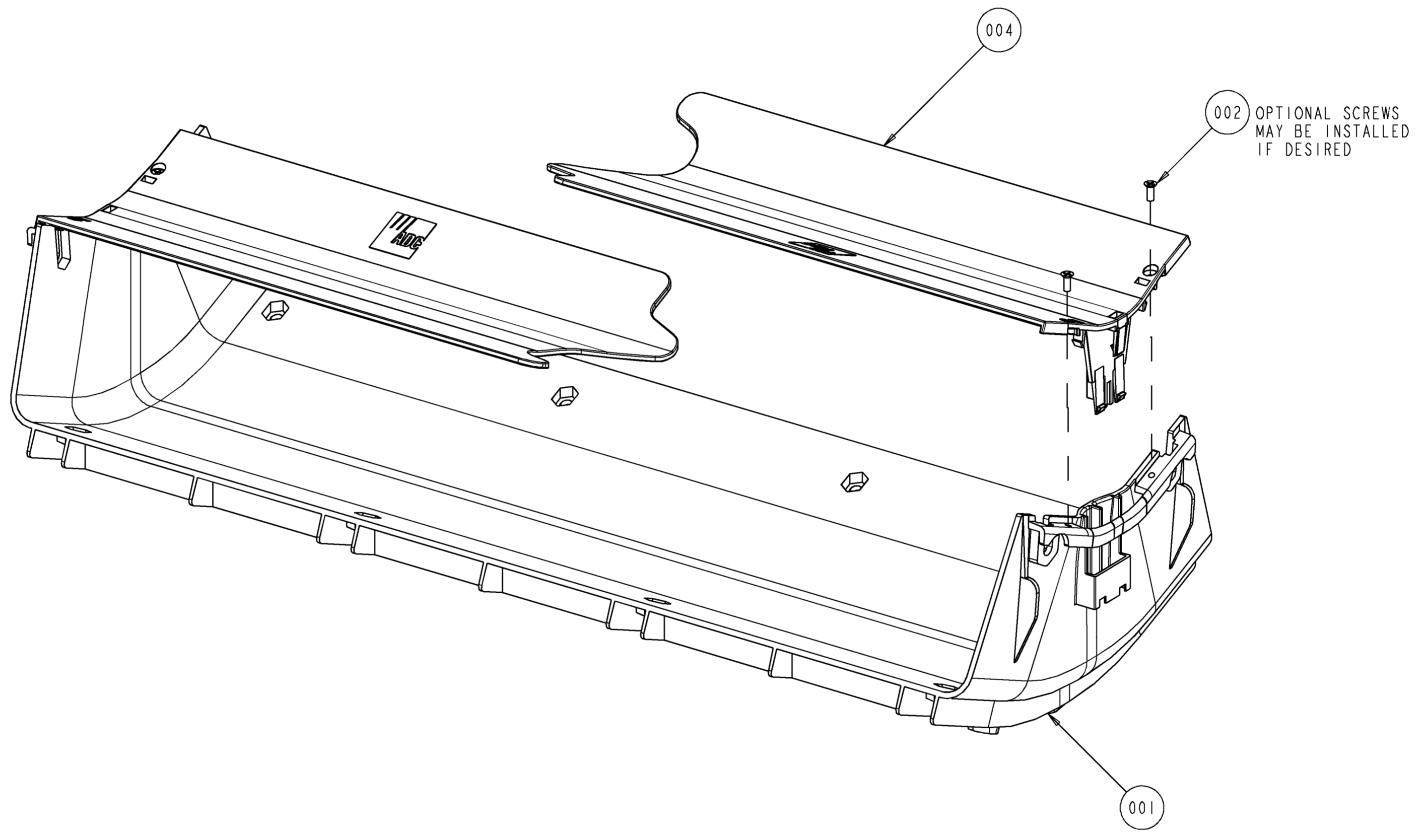
D

1

2

3

4



INFORMATION ON THIS DOCUMENT IS
PROPRIETARY TO ADC AND SHALL
NOT BE USED, COPIED, REPRODUCED
OR DISCLOSED IN WHOLE OR IN PART
WITHOUT WRITTEN CONSENT OF ADC.

TITLE FGS 24"
45 DEG UP ELBOW KIT
INSTALLATION DRAWING

ALL DIMS AND TOLERANCES .XX:±.xx
ARE INCHES UNLESS .XXX:±.xxx
OTHERWISE SPECIFIED ANGULAR:±N/A

C	DRAWING NUMBER	B
SIZE	1455926	REV

DO NOT SCALE DRAWING

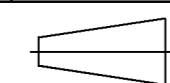
ENGR: DEREK SAYRES
DWN: GLEN CORDLE

SHT. 2 OF 2

A

B

C



**DIMENSIONS IN INCHES
THIRD ANGLE PROJECTION**