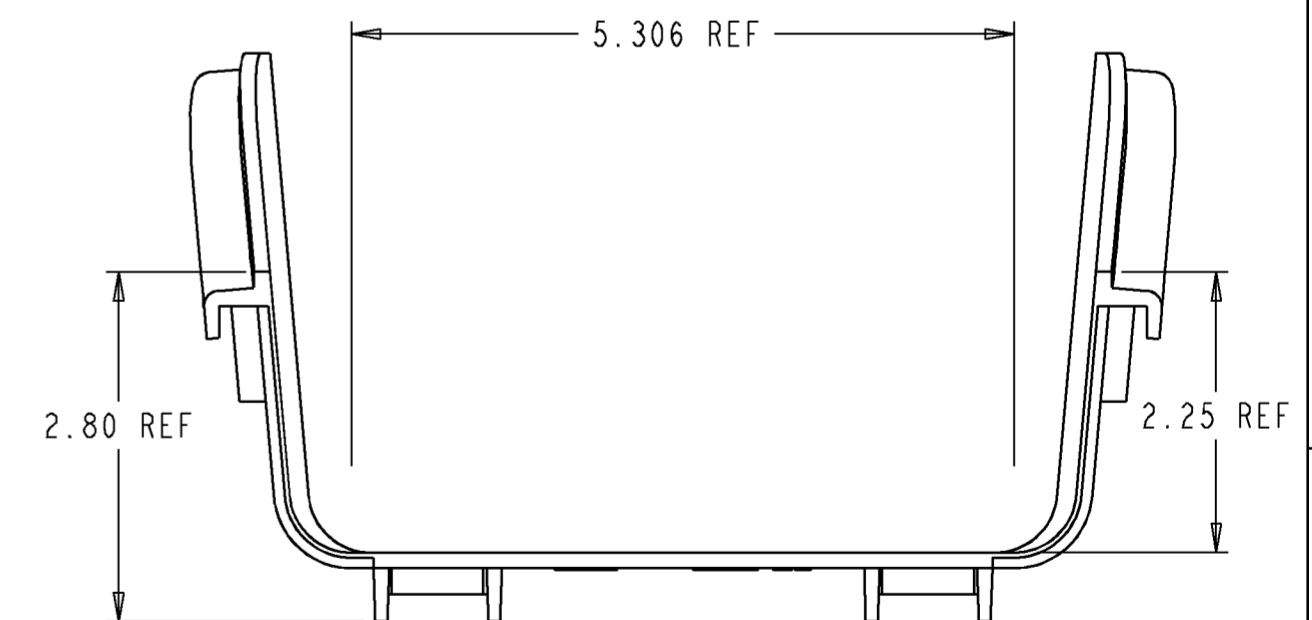
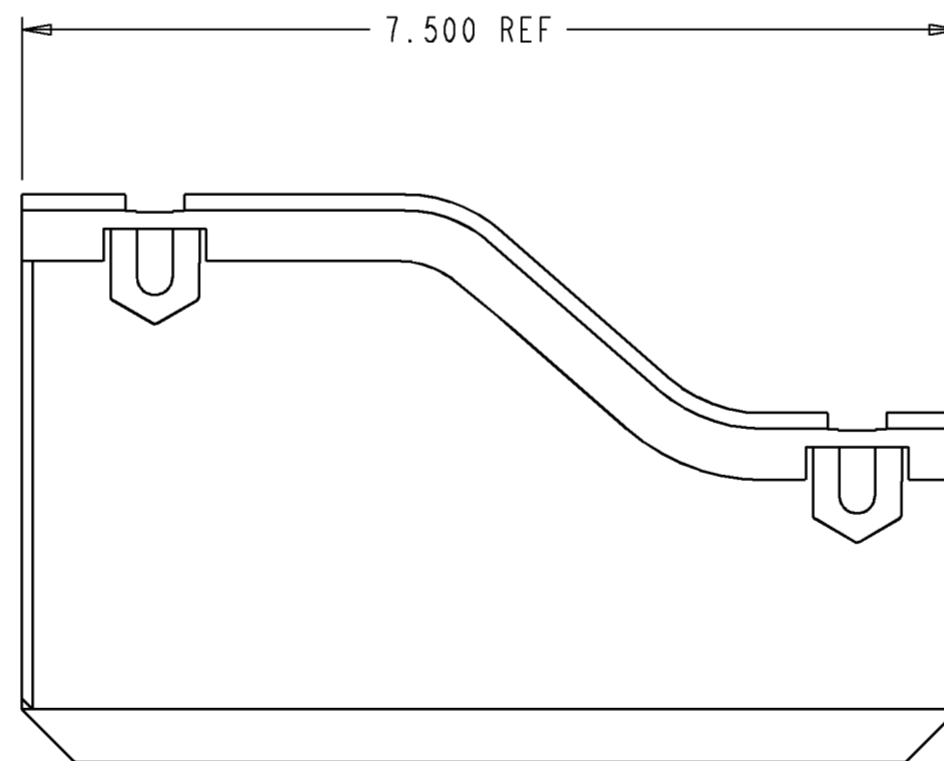
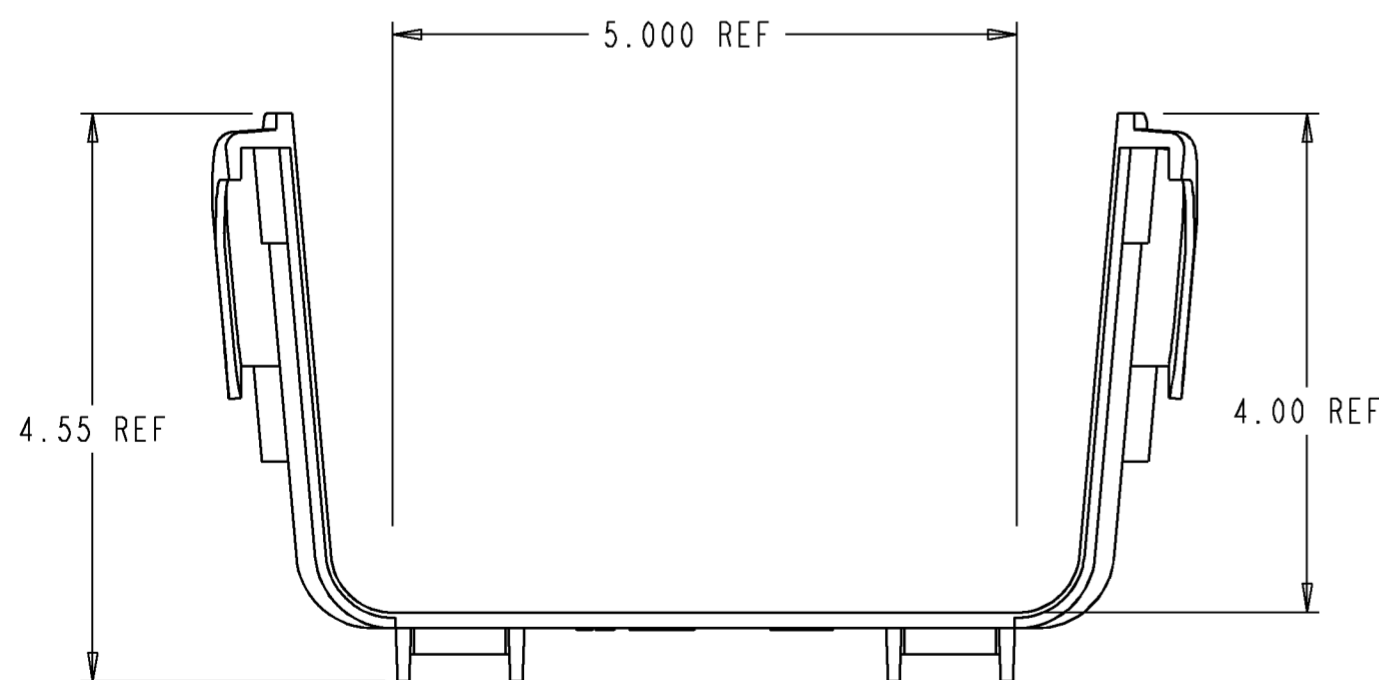
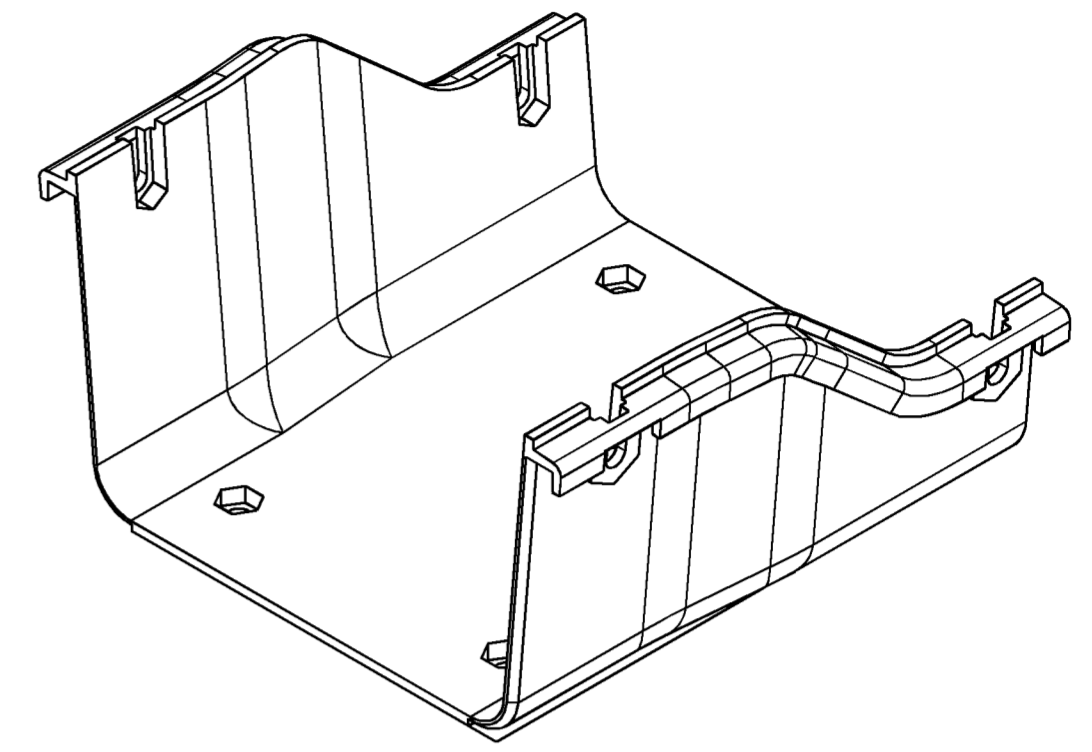
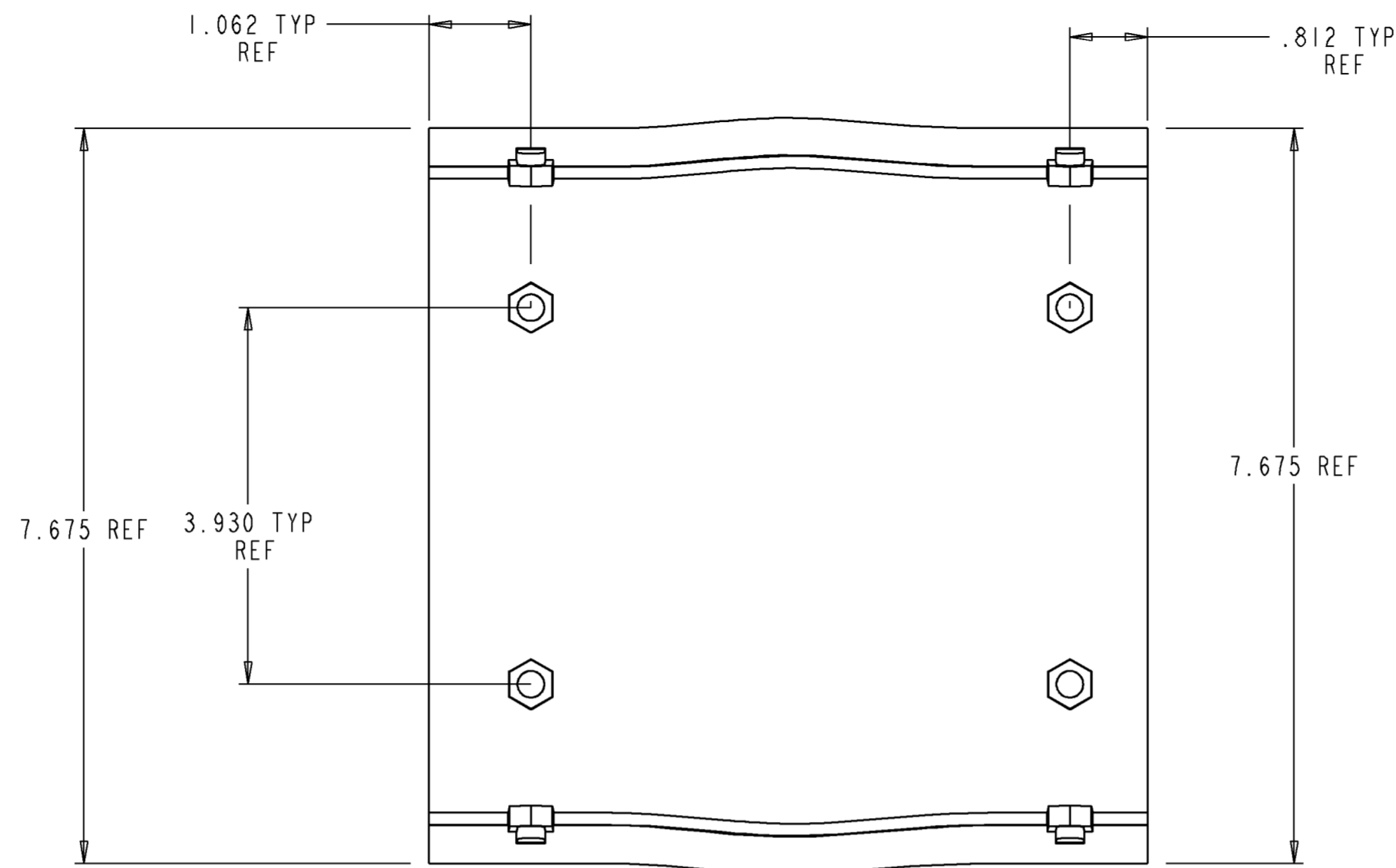


REV	ECO	DWN	DATE
A	20099205	JRA	24-AUG-01
B	20240042	AED	14-MAY-08



NOTE:  
1. MATERIAL IS SELF EXTINGUISHING WITH A UL 94 RATING OF V-0.

FGSB-MDSA-GB	BLACK
FGSS-MDSA-GB	SMOKE
FGS-MDSA-GB	YELLOW
CATALOG NO.	COLOR



INFORMATION ON THIS DOCUMENT IS PROPRIETARY TO ADC AND SHALL NOT BE USED, COPIED, REPRODUCED OR DISCLOSED IN WHOLE OR IN PART WITHOUT WRITTEN CONSENT OF ADC.		TITLE INSTALLATION DRAWING ADAPTER, 2X6 TO 4X6, FGS	
ALL DIMS AND TOLERANCES ARE INCHES UNLESS OTHERWISE SPECIFIED	.XX:±REF .XXX:±REF ANGULAR:±REF	C SIZE	DRAWING NUMBER 1189163
DO NOT SCALE DRAWING	ENGR: MATT FERRIS DWN: JASON DANNER	B REV	
		SHT. 1 OF 1	

DIMENSIONS IN INCHES  
THIRD ANGLE PROJECTION