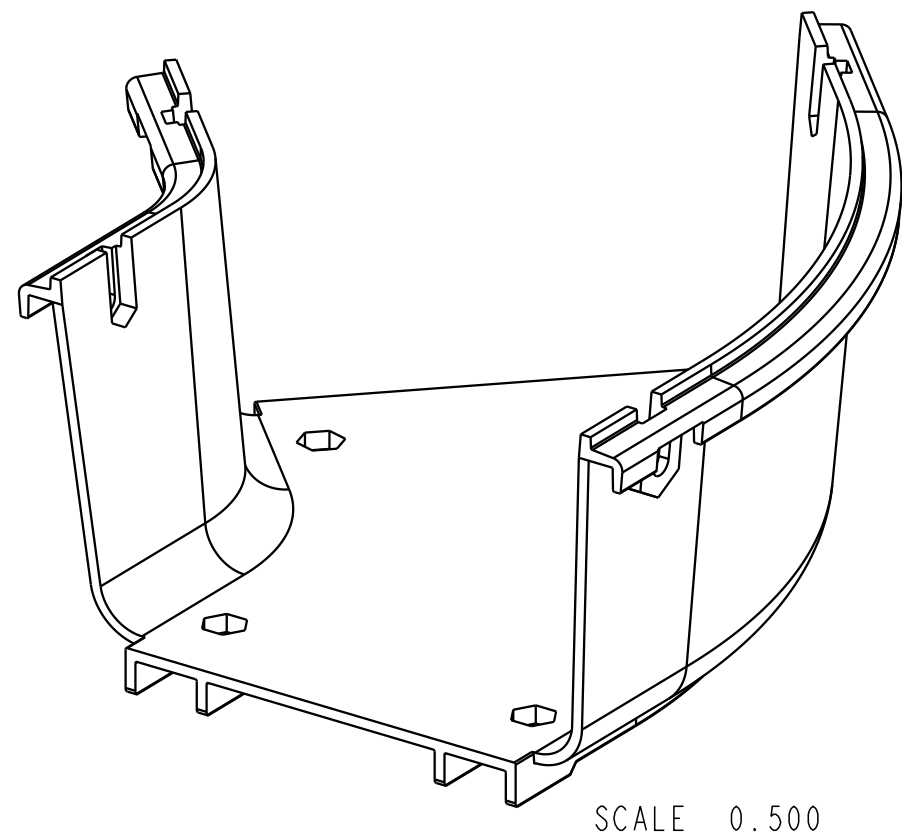
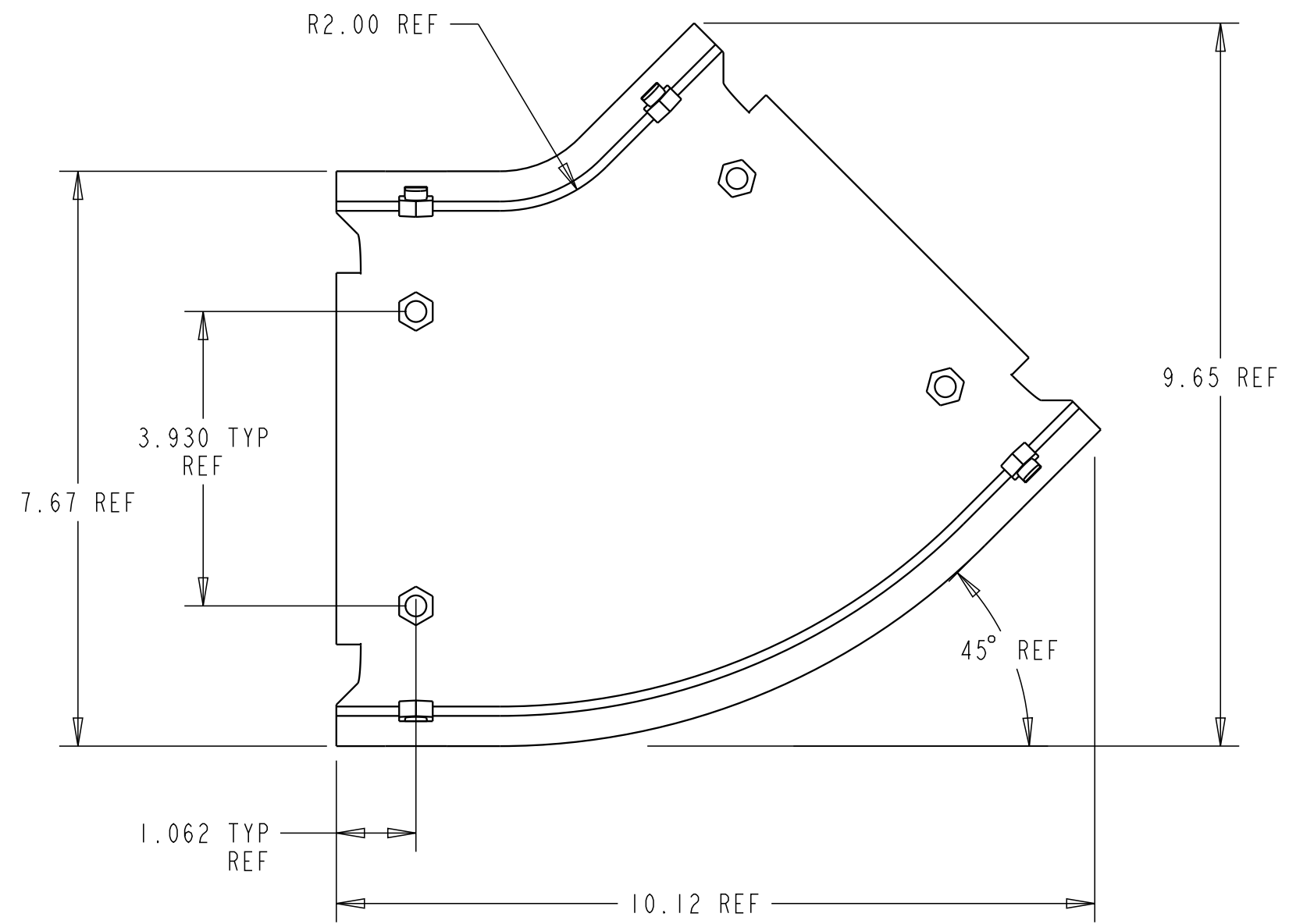
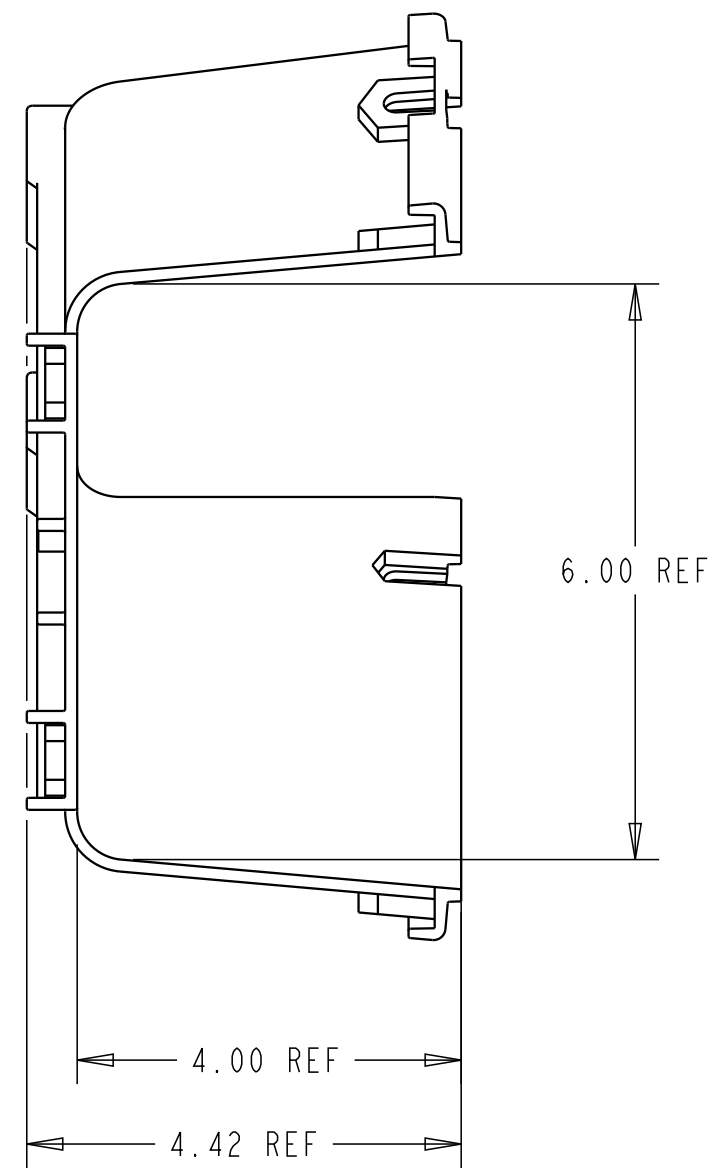


REV	MCO	DWN	DATE
B	20238208	AED	19-APR-08
C	40031755MCO	OAVL	24-JUN-16



NOTES:

- MATERIAL IS SELF EXTINGUISHING WITH A UL 94 RATING OF V-0.
- COVERED BY PATENT NO.327,874.
ISSUE DATE : JULY, 14, 1992.

CATALOG NO.	COLOR
FGSB-MH4E-B	BLACK
FGS-MH4E-B	YELLOW

COMMSCOPE, INC.

© 2016 COMMSCOPE, INC. CONFIDENTIAL NOTICE: THESE DRAWINGS AND SPECIFICATIONS ARE THE PROPRIETARY PROPERTY OF COMMSCOPE, INC. AND MAY BE USED ONLY FOR THE SPECIFIC PURPOSE AUTHORIZED IN WRITING BY COMMSCOPE, INC.		TITLE ELBOW, 45 HORIZ, 4X6, FGS	
ALL DIMS AND TOLERANCES ARE INCHES UNLESS OTHERWISE SPECIFIED	.XX:±.03 .XXX:±.020 ANGULAR:±1°	C SIZE	DRAWING NUMBER 4-40001-7985
DO NOT SCALE DRAWING	ENGR: T. HAATAJA DWN: DAN HECKSEL	SHT. 1 OF 1	

DIMENSIONS IN INCHES
THIRD ANGLE PROJECTION