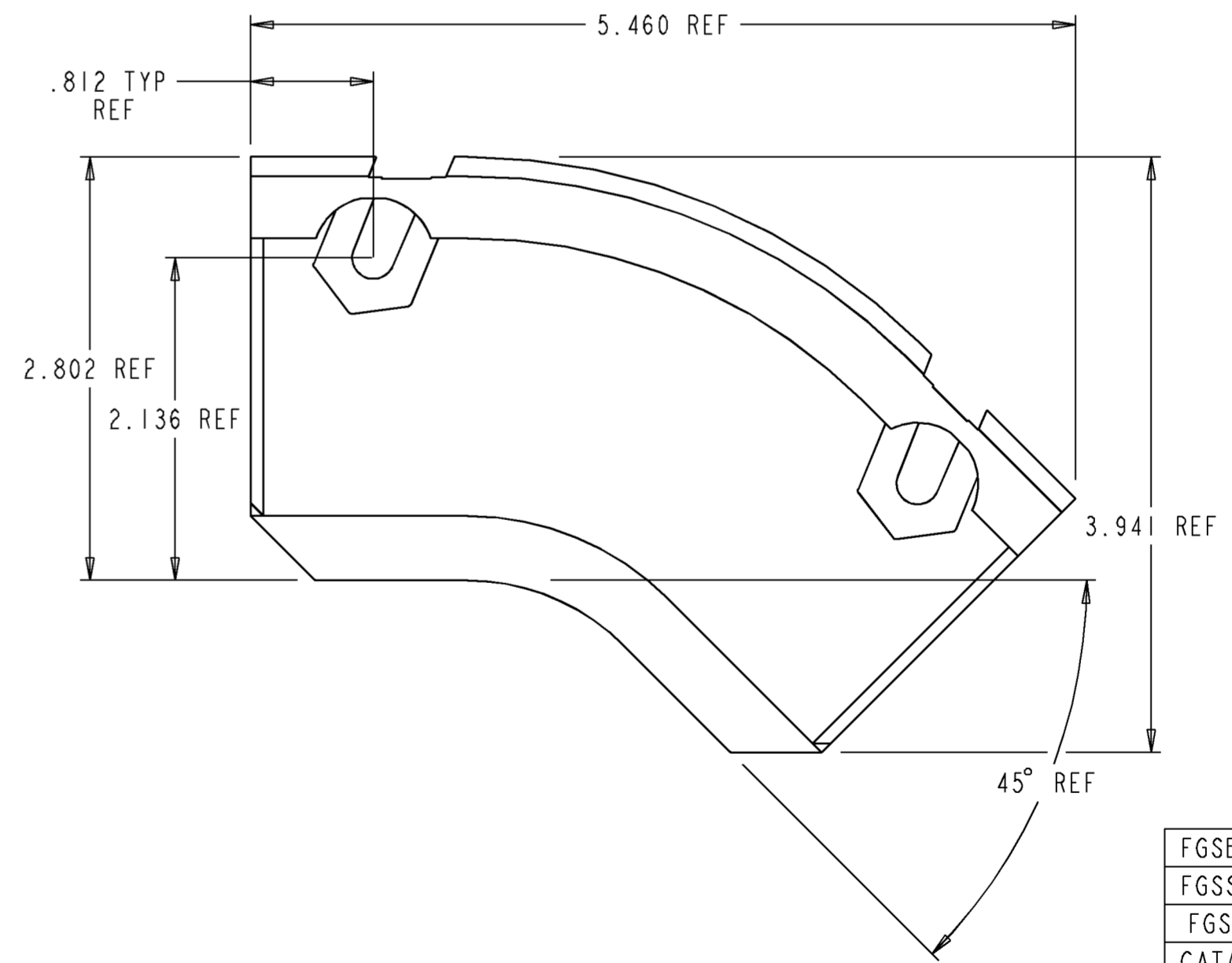
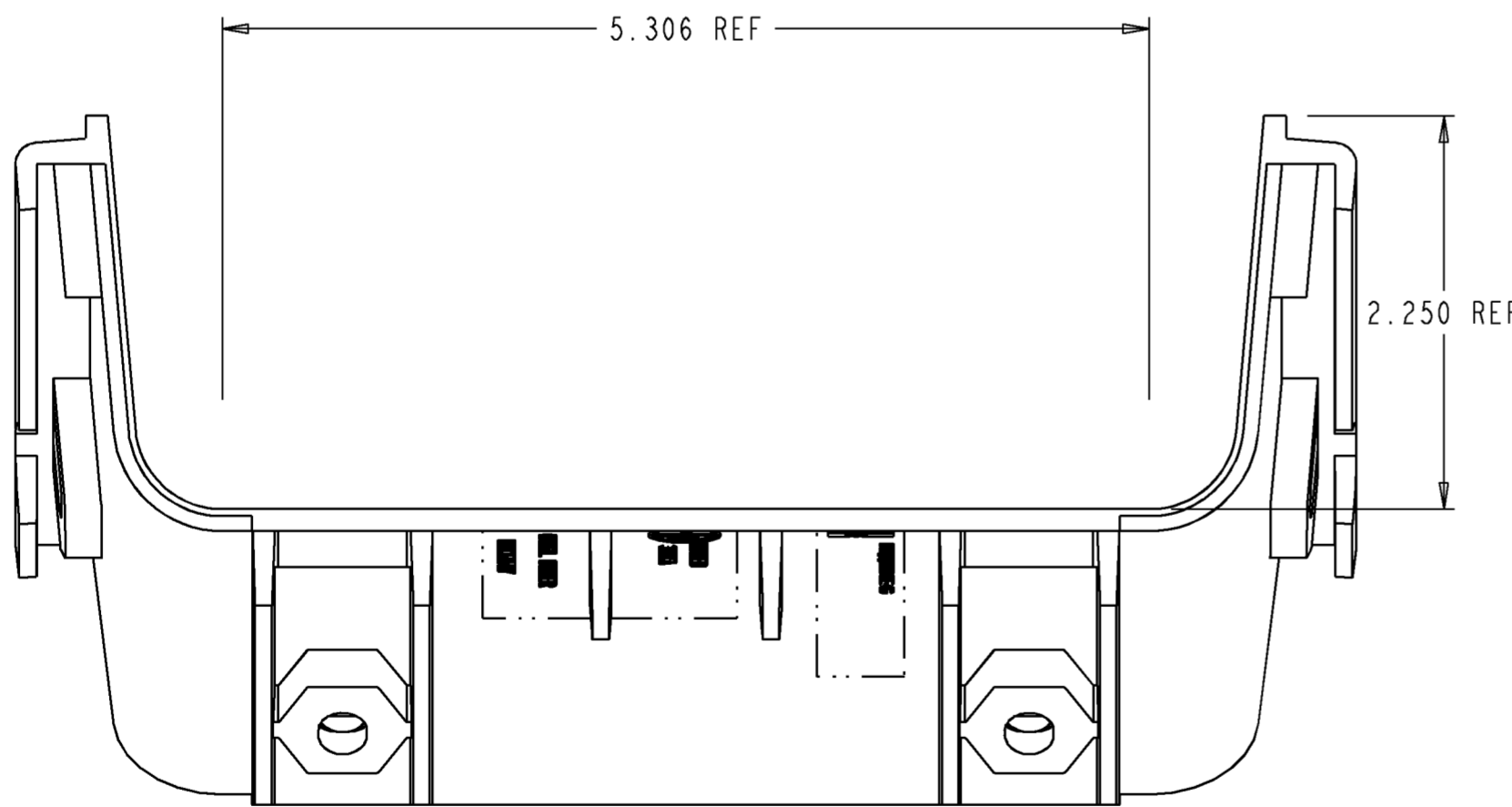
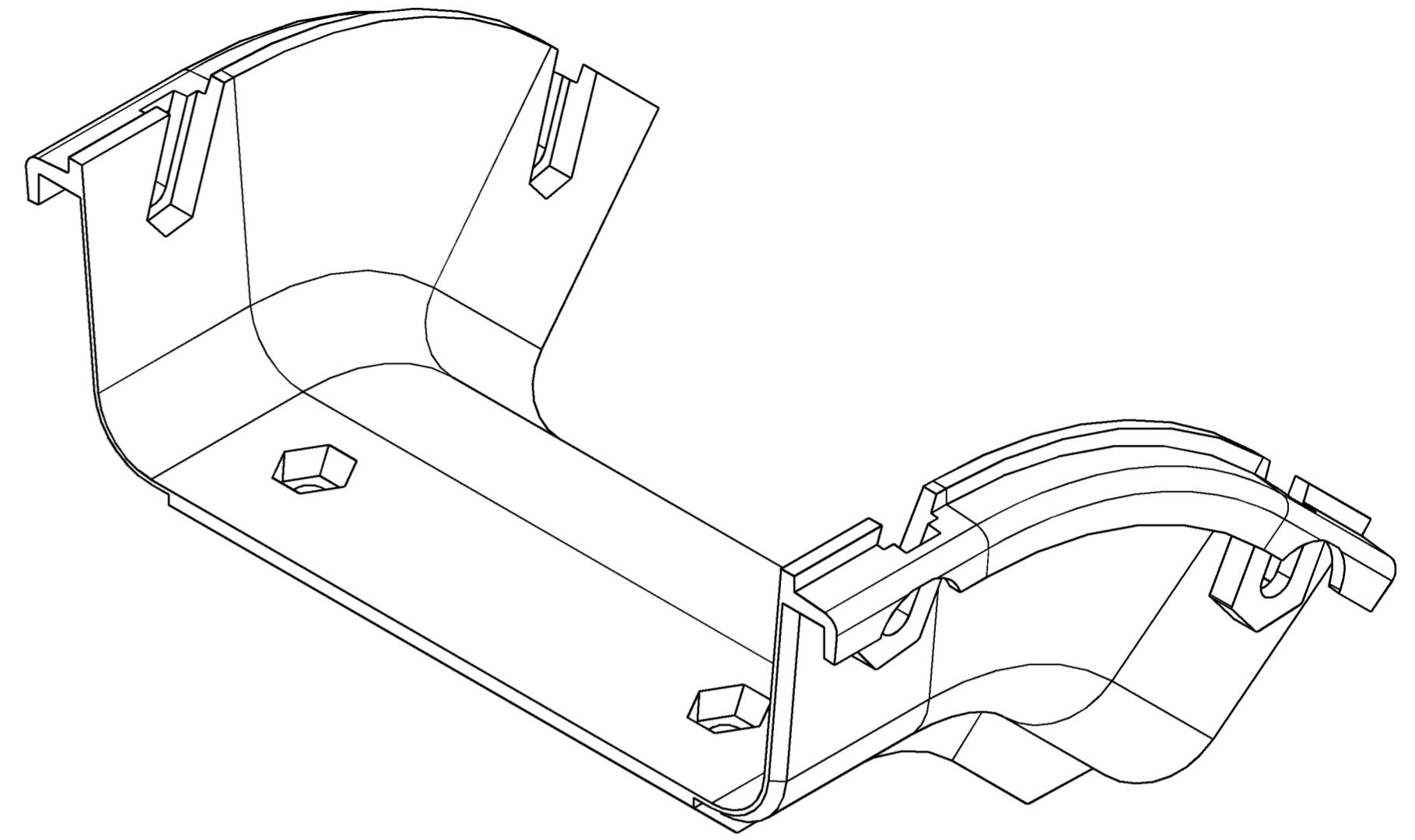
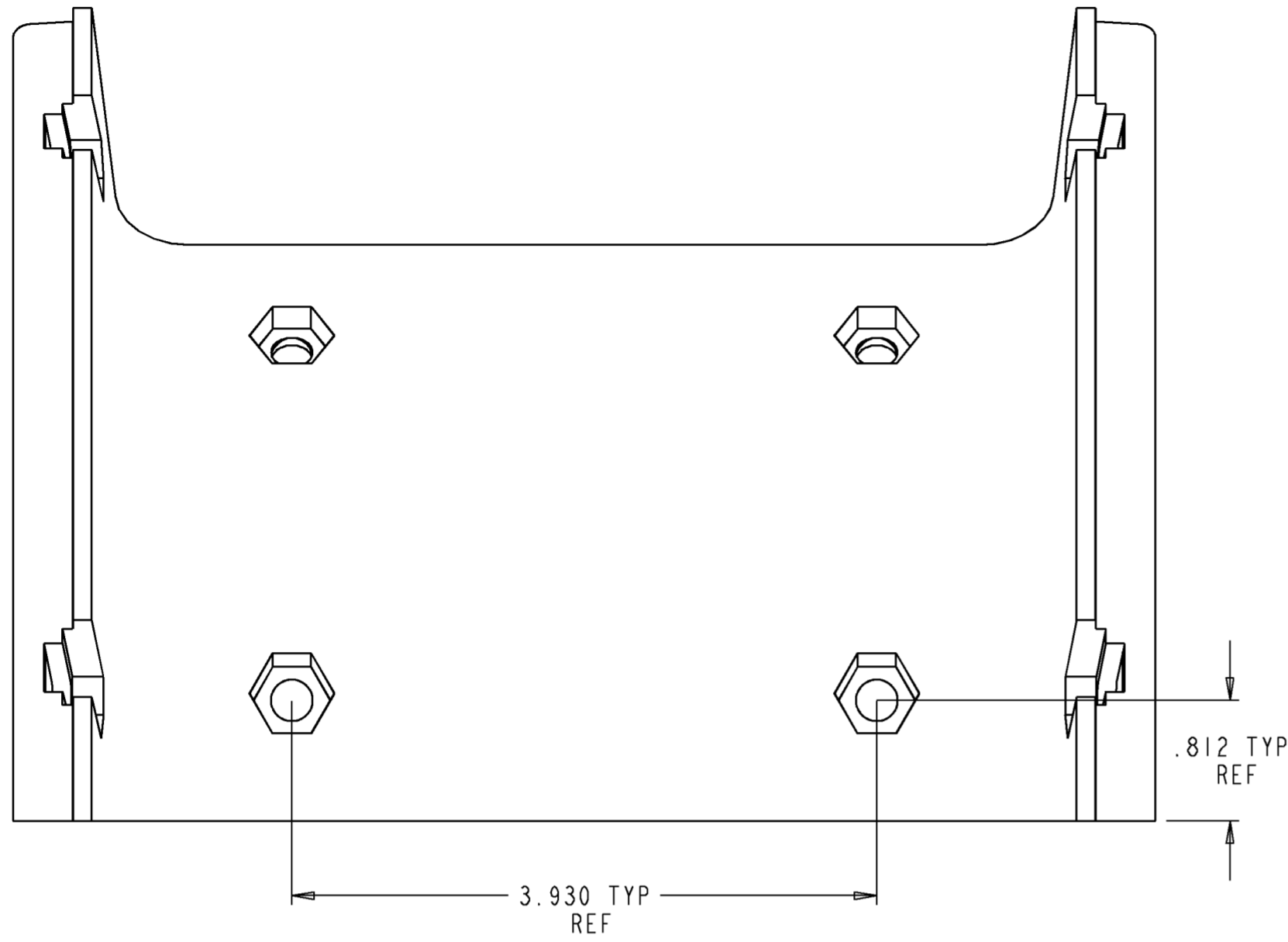


REV	ECO	DWN	DATE
A	20099208	JRA	27-AUG-01
B	20239935	AED	14-MAY-08



FGSB-MD4E-G	BLACK
FGSS-MD4E-G	SMOKE
FGS-MD4E-G	YELLOW
CATALOG NO.	COLOR



INFORMATION ON THIS DOCUMENT IS PROPRIETARY TO ADC AND SHALL NOT BE USED, COPIED, REPRODUCED OR DISCLOSED IN WHOLE OR IN PART WITHOUT WRITTEN CONSENT OF ADC.

ALL DIMS AND TOLERANCES ARE INCHES UNLESS OTHERWISE SPECIFIED

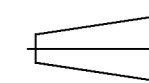
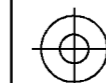
TITLE ELBOW, 45° DOWN, 2X6, FGS

DO NOT SCALE DRAWING

ENGR: MATT FERRIS  
DWN: JASON DANNER

C SIZE DRAWING NUMBER 1189160

SHT. 1 OF 1



**DIMENSIONS IN INCHES  
THIRD ANGLE PROJECTION**