



OTE2 Series, Optical Terminal Enclosure, 16-port full-size connector, no splitter, gray, wall mount

- Optical Terminal Enclosures incorporate hardened connector technology that is designed to withstand the rugged outside plant environment
- Offers a unique solution for splicing, termination and pass-through cable applications in optical drop cable deployments
- Hardened adapters are factory-terminated and environmentally sealed to ensure rapid plug-and-play drop cable installations
- The universal cable termination system guarantees easy, fast and reliable cable fixation and manipulations

## Product Classification

<b>Regional Availability</b>	Asia   Australia/New Zealand   EMEA   Latin America
<b>Product Type</b>	Access terminal, without splitter/tap
<b>Product Series</b>	OTE

## General Specifications

<b>Application</b>	Accepts fiber drop cables, 7 mm diameter   Accepts fiber feeder cables, 10-16 mm diameter   For holding up to 5 24-way splice trays   Offers up to 16 hardened adapter ports   Offers up to 4x4 standard cable ports
<b>Cable Type</b>	No cable (stubless)
<b>Cable, quantity</b>	0
<b>Distribution Type</b>	16 ports
<b>Enclosure Color</b>	Gray
<b>Mounting</b>	Handhole   Pole   Wall
<b>Port Type</b>	Hardened full-size SC/APC
<b>Port, quantity</b>	16
<b>Splice Tray Included, quantity</b>	4
<b>Splice Tray Type Included</b>	24-way, heat shrink
<b>Splitter, quantity</b>	1
<b>Stub Type</b>	No tail

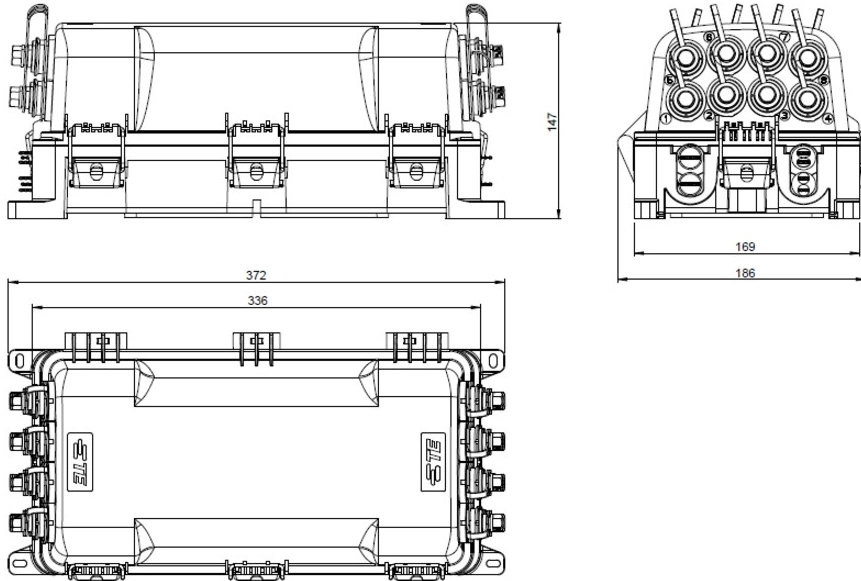
## Dimensions

<b>Height</b>	147 mm   5.787 in
---------------	-------------------

# 760254217 | OTE2-16IH-NN-S24-4-B

<b>Width</b>	372 mm   14.646 in
<b>Depth</b>	186 mm   7.323 in
<b>Cable Length, stub</b>	0 ft (0 m)

## Dimension Drawing



## Ordering Tree



### Number of ports

00	No ports
08	8 ports
16	16 ports

### Type of splitter

NN	No splitter
14	1:4
18	1:8
16	1:16

### Number of trays

0	No tray
1	1 tray
2	2 trays
3	3 trays
4	4 trays
5	5 trays

### Type of trays

NT	No tray
S24	Tray for up to 24 heat shrink splice protectors (SMOUV 45 mm)

## Material Specifications

### Enclosure Material Type

Glass filled polypropylene (GF-PP)

## Optical Specifications

<b>Operating Wavelength Range</b>	1260 – 1635 nm
<b>Attenuation Terminal Connectors, maximum</b>	0.4 dB
<b>Insertion Loss, Terminal Connector, typical</b>	0.16 dB
<b>Return Loss, Connector, minimum</b>	65 dB

## Environmental Specifications

<b>Operating Temperature</b>	-40 °C to +65 °C (-40 °F to +149 °F)
<b>Relative Humidity</b>	5%–100%, condensing
<b>Environmental Space</b>	Above ground   Below ground   Buried
<b>Qualification Standards</b>	IEC 60529, IP67   IEC 60529, IP68 + 1 m waterhead
<b>UV Resistance</b>	UV stabilized

## Packaging and Weights

<b>Included</b>	Cable fixation kit (5)   Enclosure (1)   Gel Sealing kit (4)   Optical splitter (1)   Splice cassette (4)   Wall fixation screws (4)
<b>Packaging quantity</b>	1
<b>Packaging Type</b>	Box   Carton

## Regulatory Compliance/Certifications

<b>Agency</b>	<b>Classification</b>
CHINA-ROHS	Above maximum concentration value
ISO 9001:2015	Designed, manufactured and/or distributed under this quality management system
ROHS	Compliant/Exempted
UK-ROHS	Compliant/Exempted

