

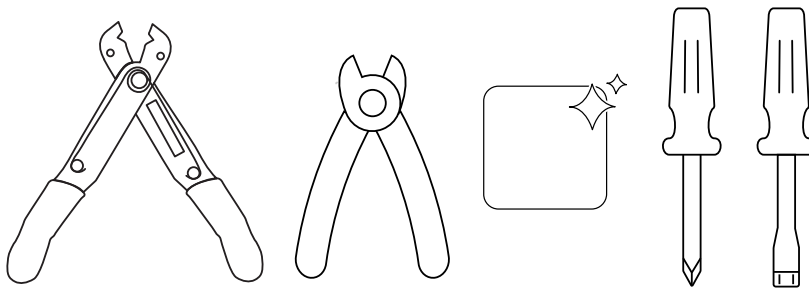
## NOVUX™ Fiber Optic System NVX-GRND-CC-NN-C04: Grounding kit for CC 40

Applicable for CC 40

### 1 Cable diameter range

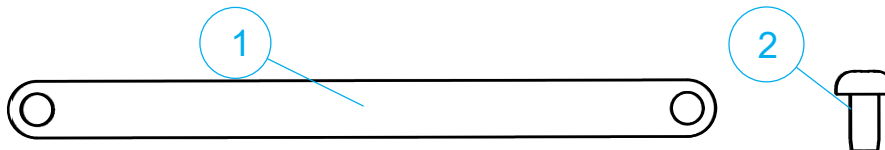
	mm	Inches
Round cable	≤ 14	≤ 0.55

### 2 Tools



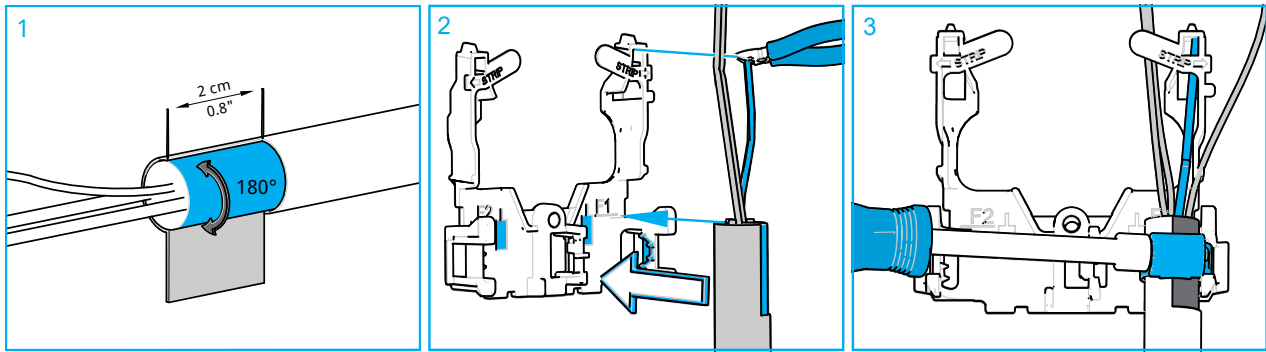
- Cable stripping and cleaning tools
- Phillips screw driver
- Socket wrench

### 3 Kit contents grounding



N°	Description	Qty
1	Grounding bar	1
2	Screw	1

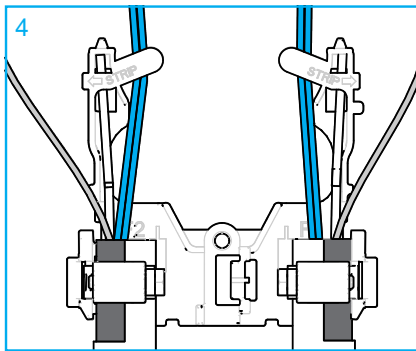
## 4 Prepare armored feeder cable



- 1 For cable with shielding, remove a section of the outer sheath 180° around the cable over a length of 2 cm / 0.8 Inches measured from the end of the outer sheath in order to expose the cable shielding.
- 2 Position the cable on the bracket with the jacket end aligned with the indicated line on the bracket and the sheath opening against the T-shape. Verify the length of the strength member and cut to length.
- 3 Select the subunits that will be used for splicing to the drops. Keep them aside. Route the unused subunits along the center of bracket and place the strength member in place. Install the hose clamp and secure with an appropriate tool.

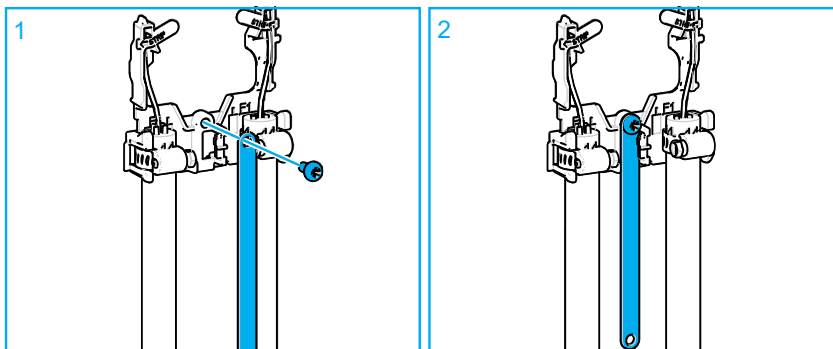


**Note:** Make sure the sheath opening is positioned against the teeth of the bracket.



- 4 Guide the unused subunits under the lip. Install the other side in the same way.

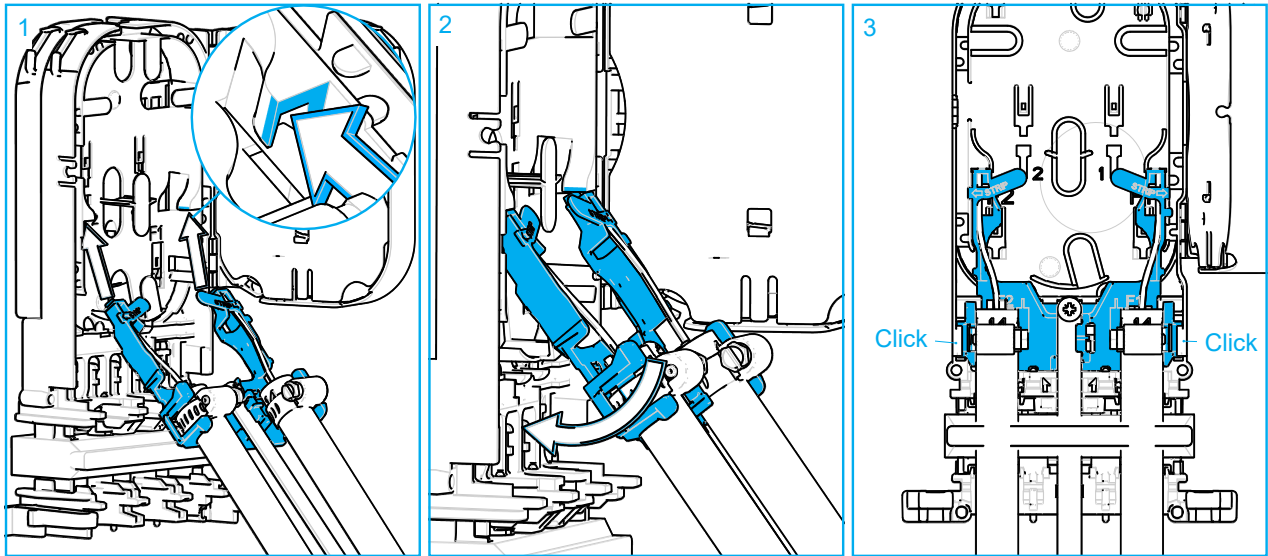
## 5 Grounding installation



- 1 Install the grounding bar in the center of the feeder cable bracket.
- 2 Secure the grounding bar by tightening the screw.

# 6

## Install feeder cable bracket



- 1 Insert the 2 pins on the top of the bracket into the 2 holes on the tray.
- 2 Push the assembly inside the tray.
- 3 The assembly is secured when you hear a click on both sides.