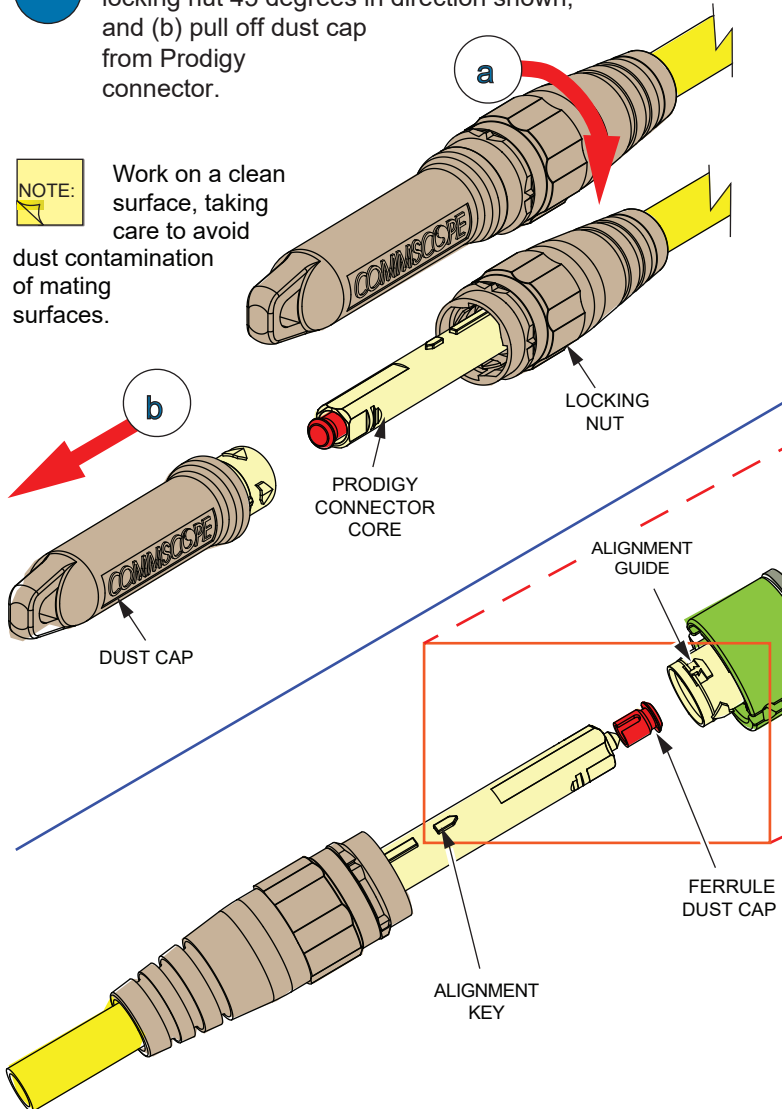


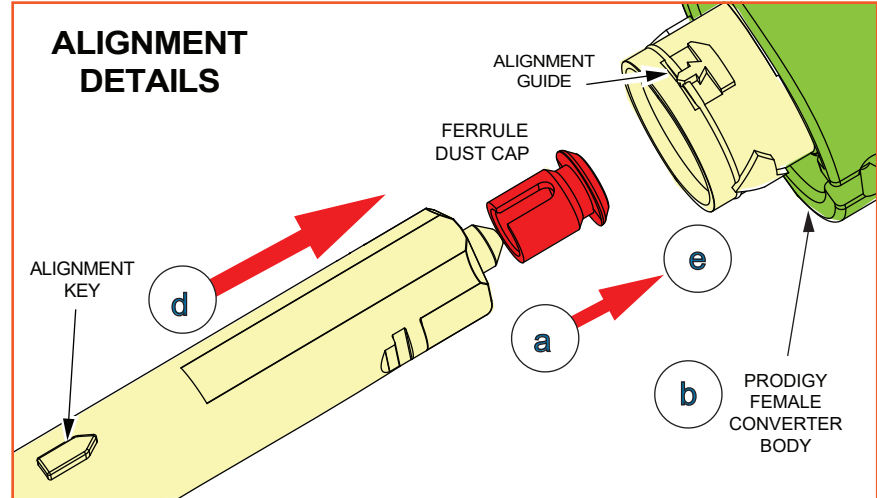
Installing Female Converter on Prodigy™ Connector

1 Remove dust cap as follows: (a) Rotate locking nut 45 degrees in direction shown, and (b) pull off dust cap from Prodigy connector.

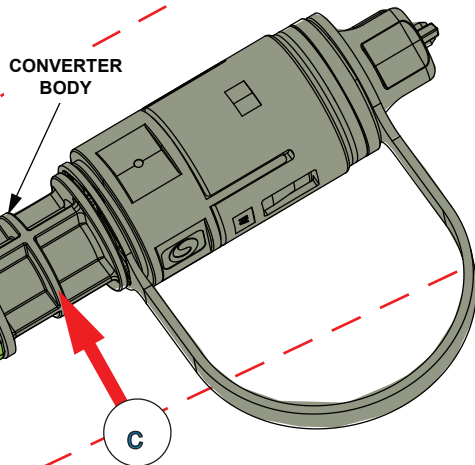
NOTE: Work on a clean surface, taking care to avoid dust contamination of mating surfaces.



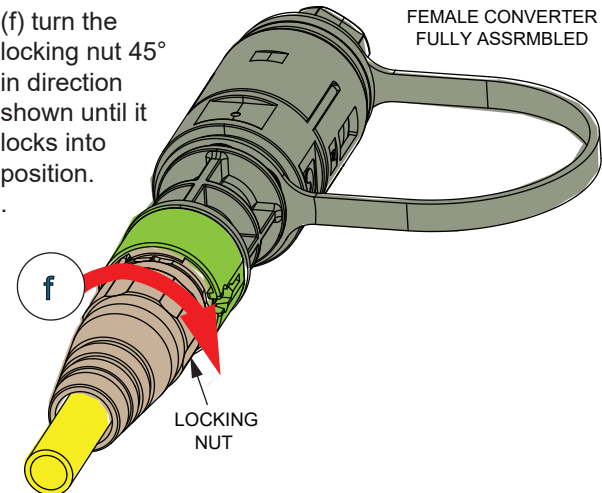
2 Install the female converter as follows: (a) remove the red ferrule dust cap from the Prodigy connector, (b) locate Prodigy female converter, (c) hold onto converter body to keep it from turning, (d) Roughly align the alignment key on Prodigy connector core with alignment guide in converter body; (e) insert the connector core all the way in.



NOTE: Hold converter body stationary while inserting connector core into rear opening of converter, as directed in step 2.



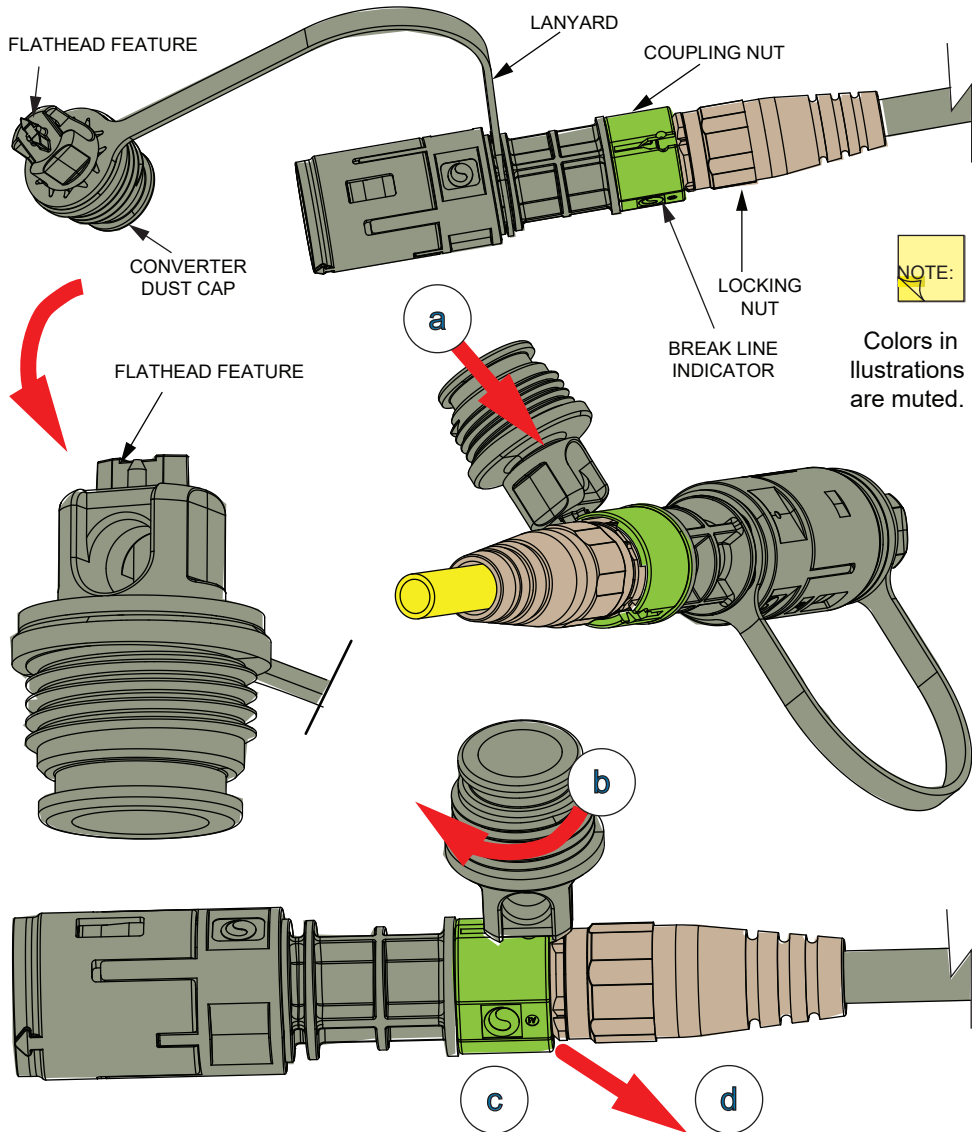
(f) turn the locking nut 45° in direction shown until it locks into position.



NOTE: Colors in illustrations are muted.

Removing Female Converter from Prodigy™ Connector

- 1** Remove coupling nut as follows:
- Insert converter dust cap flat head feature in converter coupling nut break line indicator;
 - twist converter dust cap $\pm 90^\circ$ in direction shown to crack the coupling nut;
 - if required, repeat the action at the opposite side of the coupling nut;
 - pull off coupling nut parts from Prodigy female converter.



- 2** Remove the female converter from the Prodigy connector as follows:
- Rotate locking nut 45° in direction shown to unlock the Prodigy from the Female converter;
 - pull off converter from Prodigy connector core.

