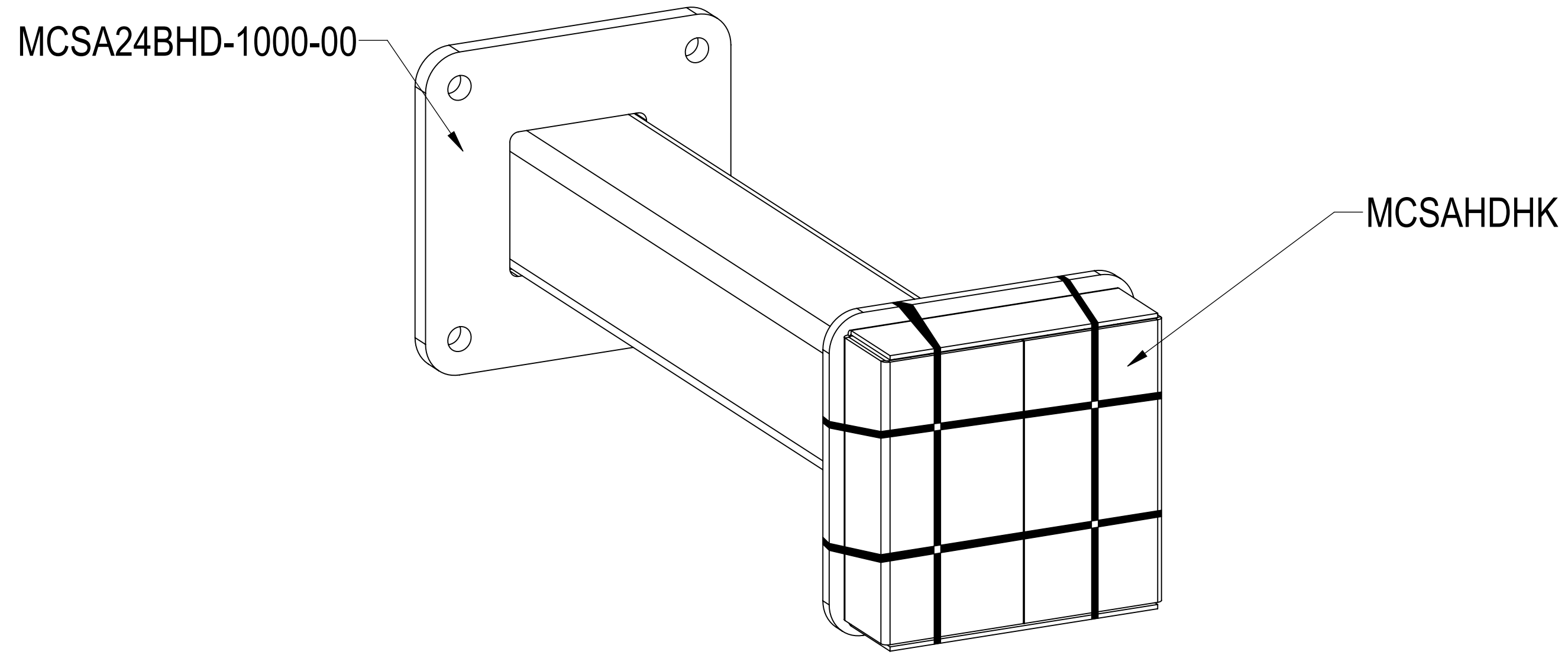


- 1.0 GENERAL NOTES
 1.1 ALL IMPERIAL DIMENSIONS ARE IN BRACKETS [X. X]
 1.2 FOR PATENT INFO: <https://www.cs-pat.com>
 2.0 DESIGN NOTES
 3.0 MANUFACTURING/SPECIAL REQUIREMENTS
 3.1 TIGHTEN ALL BOLTS SECURING FLAT PLATES BY THE TURN-OF-NUT METHOD. TIGHTEN ALL U-BOLTS USING TURN-OF-NUT METHOD WITH ATTENTION TO LEAVE EQUAL DISTANCE AND EQUAL FORCE ON EACH LEG OF THE U-BOLT.
 4.0 TEST
 5.0 PACKAGING
 5.1 PACKAGING SHALL MEET COMMScope REQUIREMENTS PER DOCUMENT IS-PL-3005.
 5.2 PRINTED DOCUMENT TO BE PLACED INSIDE POLYBAG AND THEN IN SHIPPING CONTAINER.
 5.3 EXTRA HARDWARE MAYBE SUPPLIED, BAGGED AND SHIPPED.

REVISIONS			
REV.	DESCRIPTION	DATE	APPROVED
A	INITIAL RELEASE	YH1102 13DEC22	NACY 40160488CMO



COMMScope, INC. OF NORTH CAROLINA

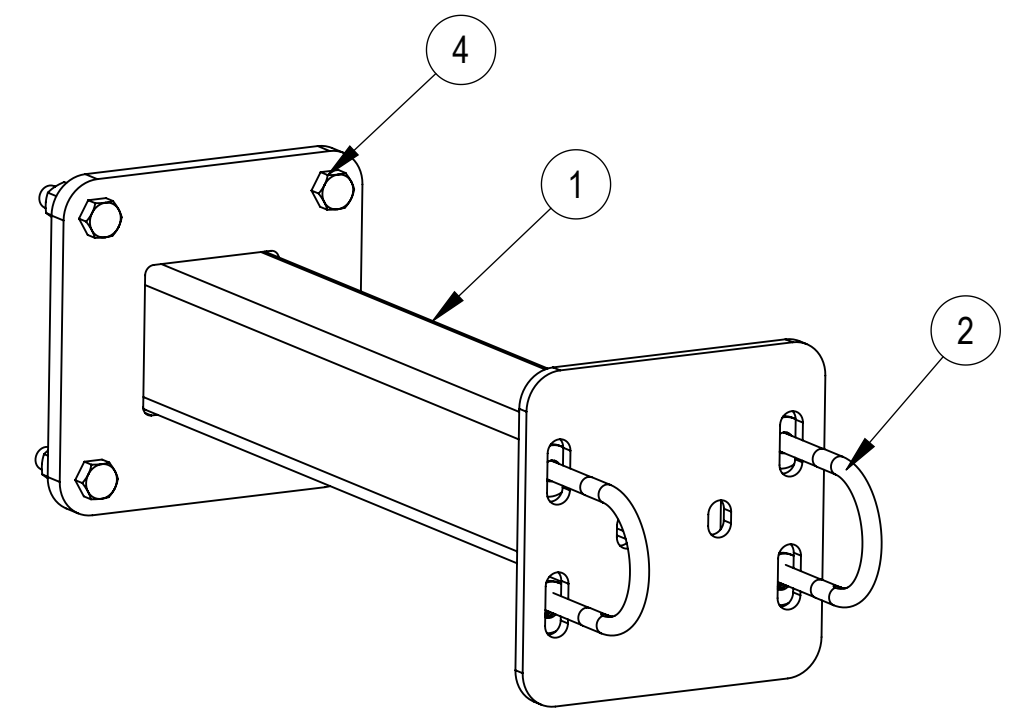
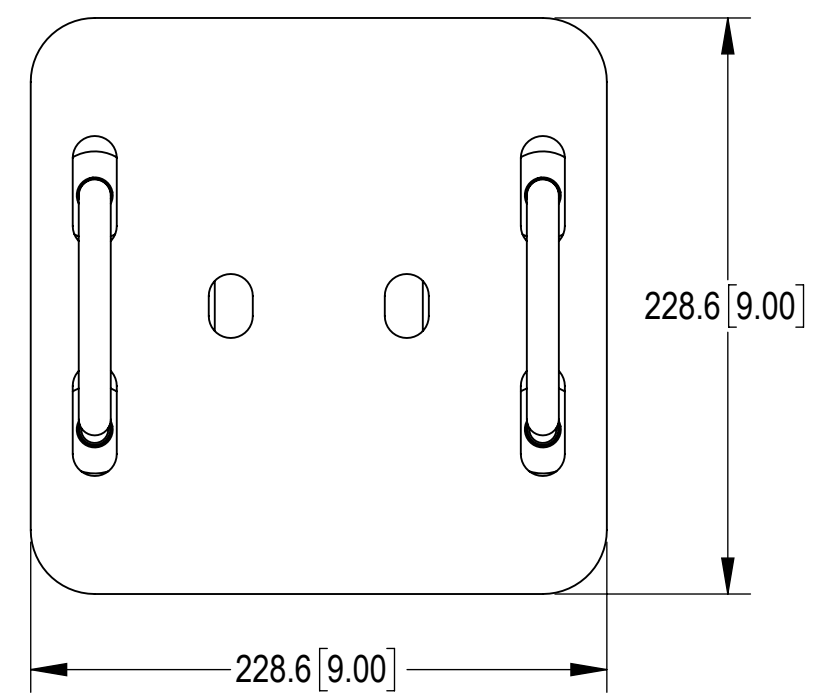
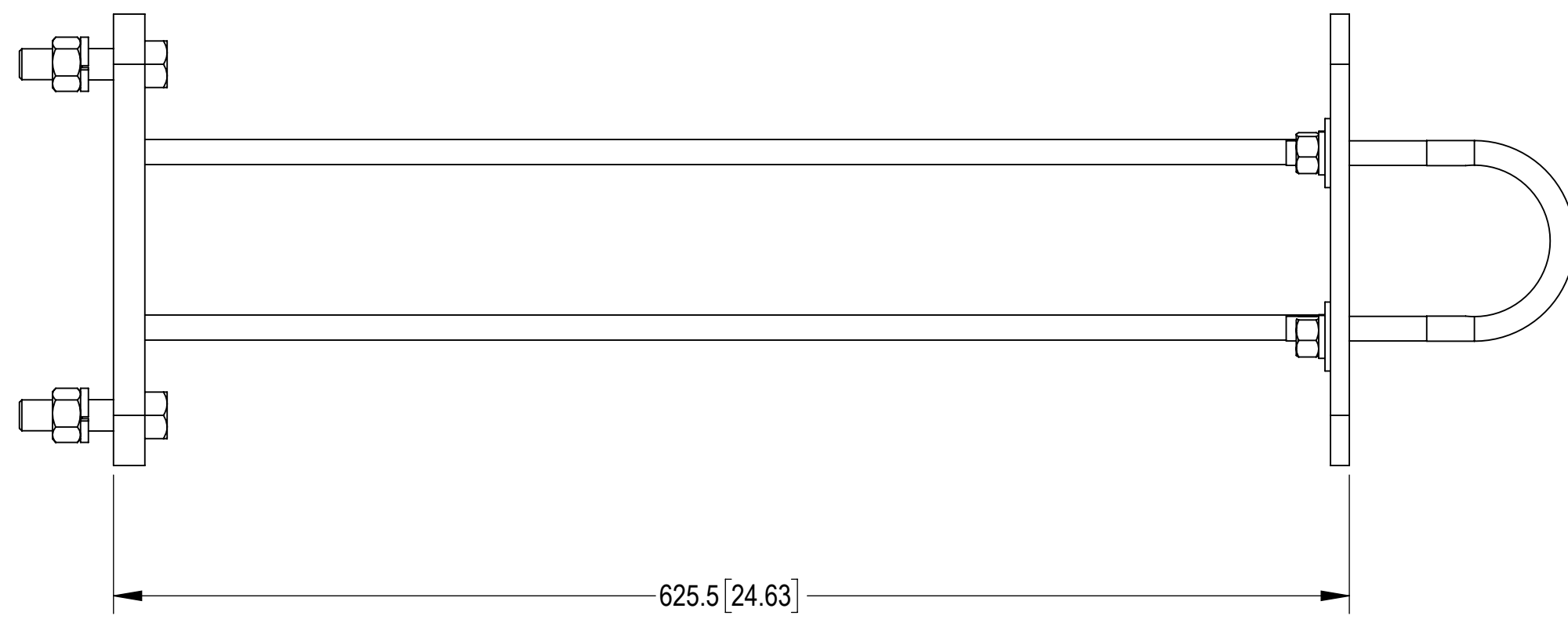
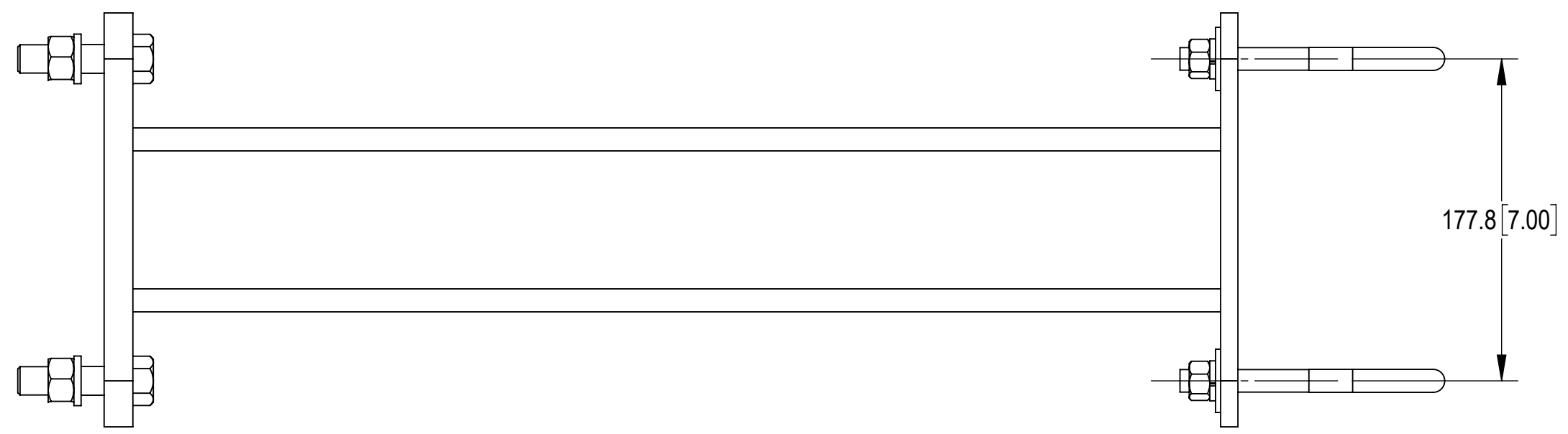
TOLERANCES		SAP MATERIAL MASTER	
0 PLACE	X[.X] ± 6[0.25]	2 PLACE	.XX[.XXX] ± 1.50[0.06]
1 PLACE	.X[.XX] ± 3.0[0.12]	ANGLES	± 2°
FINISH		MATERIAL	
		MC-SA24-B-HD	

UNLESS OTHERWISE SPECIFIED DIMENSIONS ARE IN MILLIMETERS INTERPRET PER ANSI Y 14.5M-1984	NAME	DATE	24" SUPPORT ARM TUBE-HD	
	CE	YH1102		21NOV22
	RW	YH1102		12/12/2022
	AD	XK1001		12/13/2022
	RE	YMENG		12/14/2022
	ECN 40160488CMO			

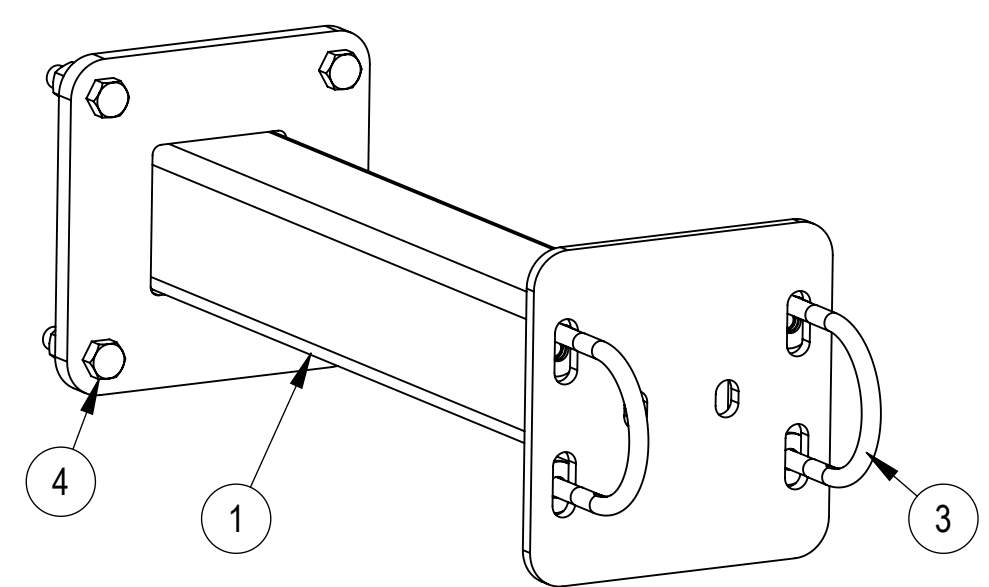
SCALE	DOCUMENT NO.
1:3	MC-SA24-B-HD

SIZE	Auth Group	INSL	MODEL	DRAWING			SHEET 1 OF 2		
A2			VERSION	STATUS	REVISION	VERSION		STATUS	REVISION
			00	RE	A	00		RE	A

DENSITY	lbs/in³
MASS	59.23 lbs
VOLUME	234.05 in³
SURFACE AREA	1579.3 in²
DENSITY	g/mm³
MASS	26922.5553 grams
VOLUME	3835653.3960 mm³
SURFACE AREA	1018903.3998 mm²



FOR ϕ 2.875" OD PIPE



FOR ϕ 3.5" OD PIPE

COMPONENT PART NUMBERS PROVIDED FOR ASSEMBLY PURPOSES;
INDIVIDUAL COMPONENTS MAY BE SHIPPED AS PARTS WITHIN AN INCLUDED KIT.

ITEM	PART NO.	DESCRIPTION	QTY.	WEIGHT	NOTE
1	MCSA24BHD-1000-00	24" STANDOFF WELDMENT	1	54.28 LBS	
2	GUB-4352	1/2" X 3" X 5-1/4" GALV U-BOLT	2	0.58 LBS	ONLY USED FOR 2.875" OD PIPE
3	GUB-4355	1/2" X 3-5/8" X 5" GALV U-BOLT	2	0.71 LBS	ONLY USED FOR 3.5" OD PIPE
4	GB-0524A	5/8" X 2-1/2" GALV BOLT KIT (A325)	4	0.30 LBS	

COMMSCOPE, INC. OF NORTH CAROLINA					
TITLE 24" SUPPORT ARM TUBE-HD					
SIZE A2	SCALE 1:3	DOCUMENT NO. MC-SA24-B-HD			
		DRAWING			SHEET 2 OF 2
		VERSION 00	STATUS RE	REVISION A	