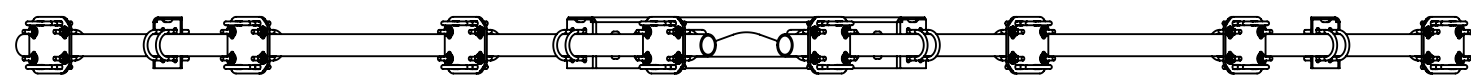
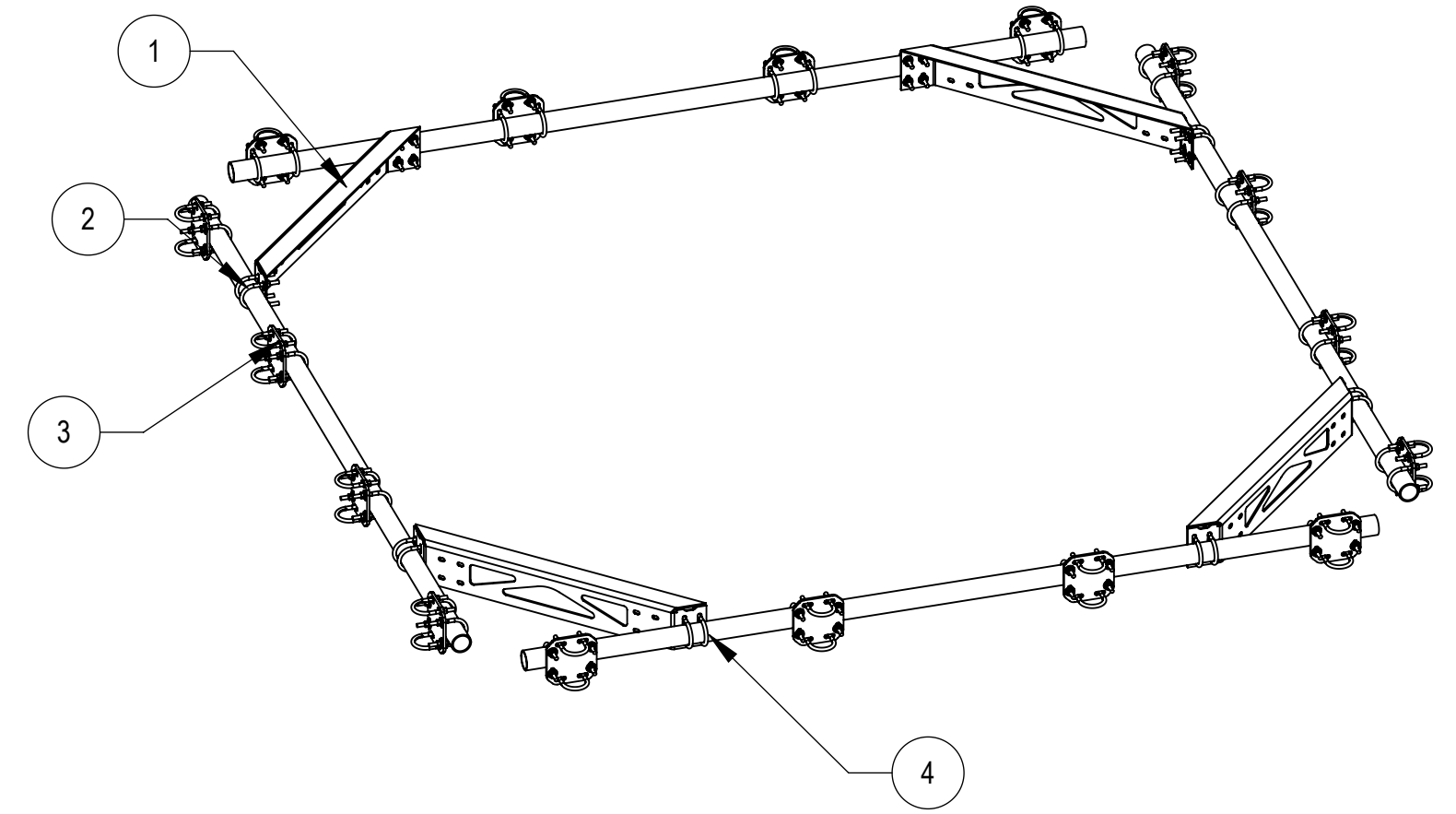
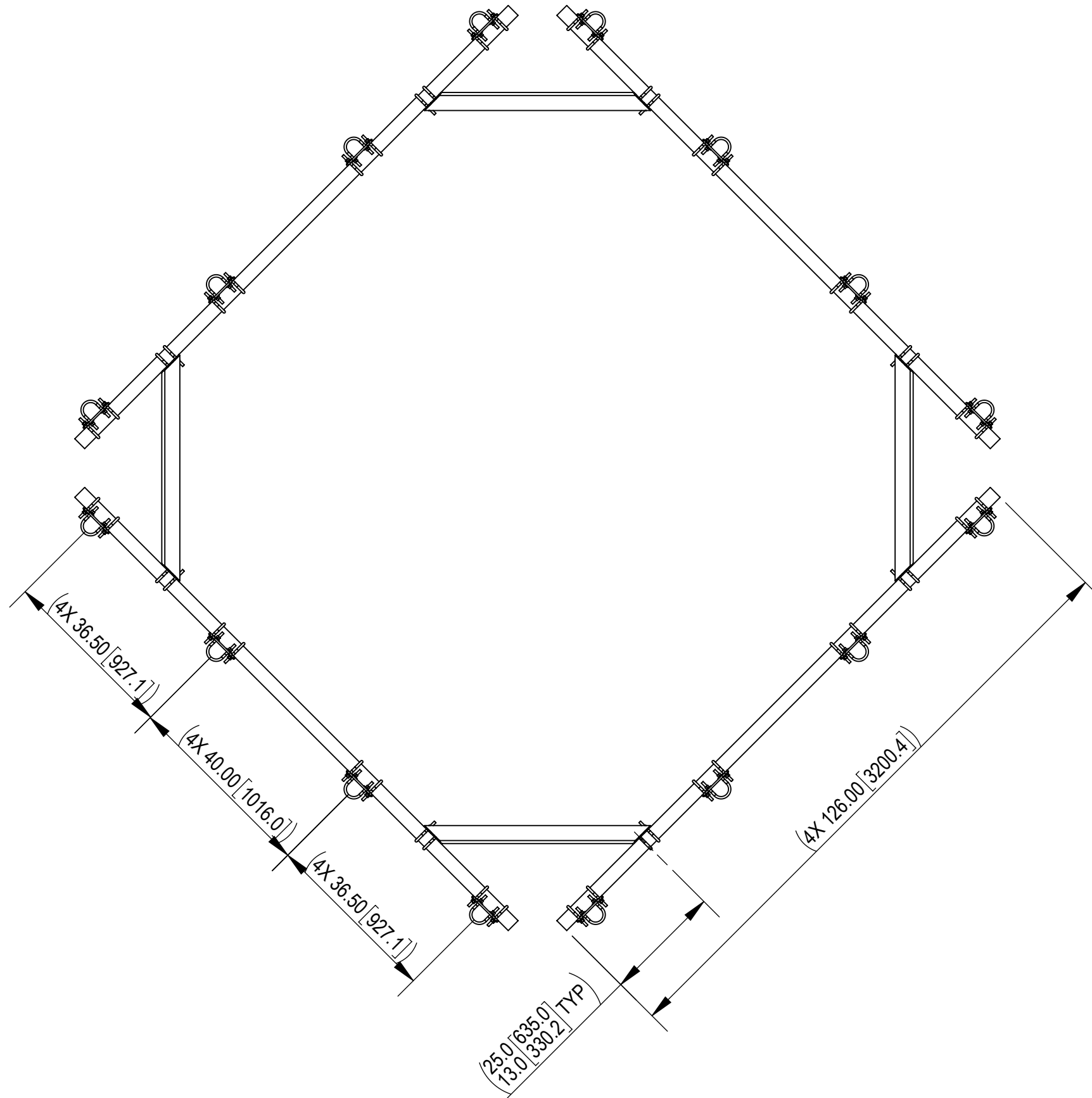


- 1.0 GENERAL NOTES
 - 1.1 ALL METRIC DIMENSIONS ARE IN BRACKETS [X.X]
 - 1.2 FOR PATENT INFO: <https://www.cs-pat.com>
- 2.0 DESIGN NOTES
 - 2.1 KIT WILL WORK WITH 10 FOOT MC-PM4 PLATFORM KITS AND MONOPOLE SIZES FROM 15" OD TO 45" OD.
- 3.0 MANUFACTURING/SPECIAL REQUIREMENTS
 - 3.1 TIGHTEN ALL BOLTS SECURING FLAT PLATES BY THE TURN-OF-NUT METHOD. TIGHTEN ALL U-BOLTS USING TURN-OF-NUT METHOD WITH ATTENTION TO LEAVE EQUAL DISTANCE AND EQUAL FORCE ON EACH LEG OF THE U-BOLT.
- 4.0 TEST
- 5.0 PACKAGING
 - 5.1 PACKAGING SHALL MEET COMMSCOPE REQUIREMENTS PER DOCUMENT IS-PL-3005
 - 5.2 PRINTED DOCUMENT TO BE PLACED INSIDE POLYBAG AND THEN IN SHIPPING CONTAINER
 - 5.3 EXTRA HARDWARE MAYBE SUPPLIED, BAGGED AND SHIPPED

REVISIONS			
REV.	DESCRIPTION	DATE	APPROVED
A	INITIAL RELEASE	YMENG 21OCT21	BA1025 15811
B	UPDATED VIEW ON SHEET 2 TO MATCH PLATFORM CHANGED	YMENG 08OCT22	BA1025 40156827CMO



COMMSCOPE, INC. OF NORTH CAROLINA

TOLERANCES		SAP MATERIAL MASTER							
1 PLACE .X[X] ± 0.25[6.3]	3 PLACE .XXX[X] ± 0.060[1.5]	MC4-HR25X-10-16							
2 PLACE .XX[X] ± 0.12[3.0]	ANGLES ± 2°								
FINISH		MATERIAL							
UNLESS OTHERWISE SPECIFIED DIMENSIONS ARE IN INCHES INTERPRET PER ANSI Y 14.5M-1994	NAME	DATE	TITLE						
	CE YMENG	10/21/2021	HR4, MONO PLATF, 2-7/8X10,16, 2-7/8 HRW						
	RW YMENG	10/08/2022							
	AD BA1025	10/12/2022	SCALE	DOCUMENT NO.					
	RE YMENG	01/11/2023	1:48	MC4-HR25X-10-16					
ECN 40156827CMO									
SIZE	Auth Group	INSL	MODEL						
C			VERSION	STATUS	REVISION	VERSION	STATUS	REVISION	SHEET
			01	RE	B	01	RE	B	1 OF 2

A COMPONENT PART NUMBERS PROVIDED FOR ASSEMBLY PURPOSES; INDIVIDUAL COMPONENTS MAY BE SHIPPED AS PARTS WITHIN AN INCLUDED KIT.

ITEM	PART NO.	DESCRIPTION	QTY.	WEIGHT	NOTE NO.
1	MC4-HR25X-1000	CORNER WELDMENT SNUB NOSE HANDRAIL	4	27.50 LBS	
2	GUB-4352	1/2" X 3" X 5-1/4" GALV U-BOLT	16	0.71 LBS	
3	XP-2525	CROSSOVER PLATE KIT, 2-7/8 OD X 2-7/8 OD	16	8.37 LBS	
4	MT-546-126	PIPE, 2.875"OD X 126"	4	61.05 LBS	

4

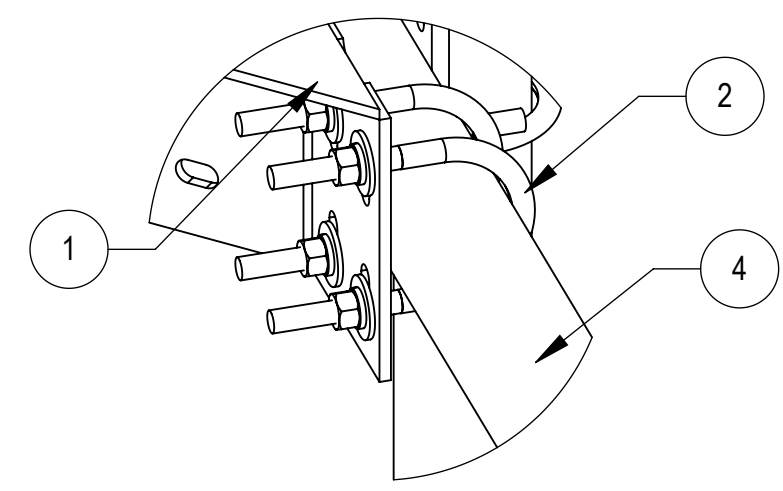
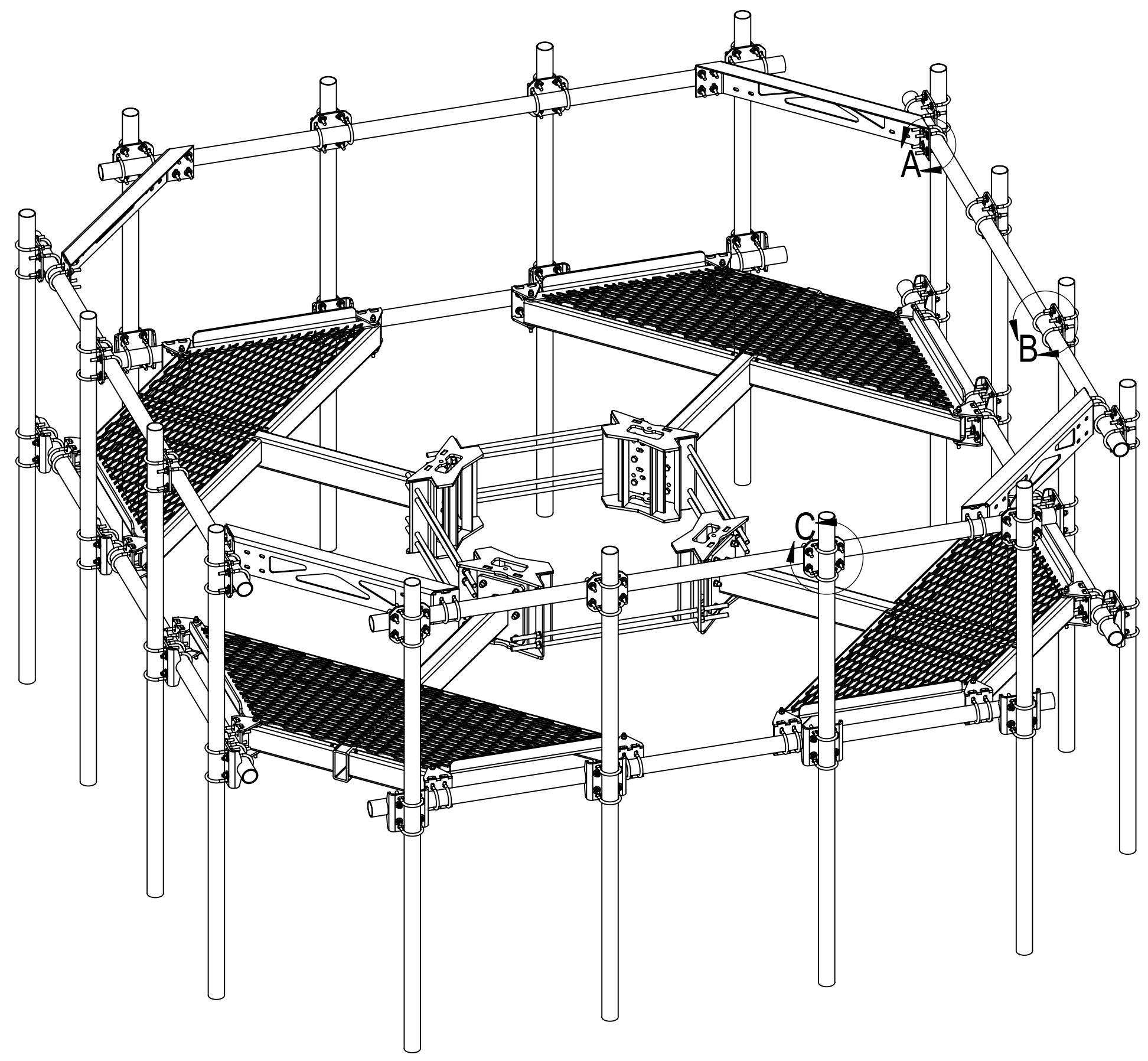
3

2

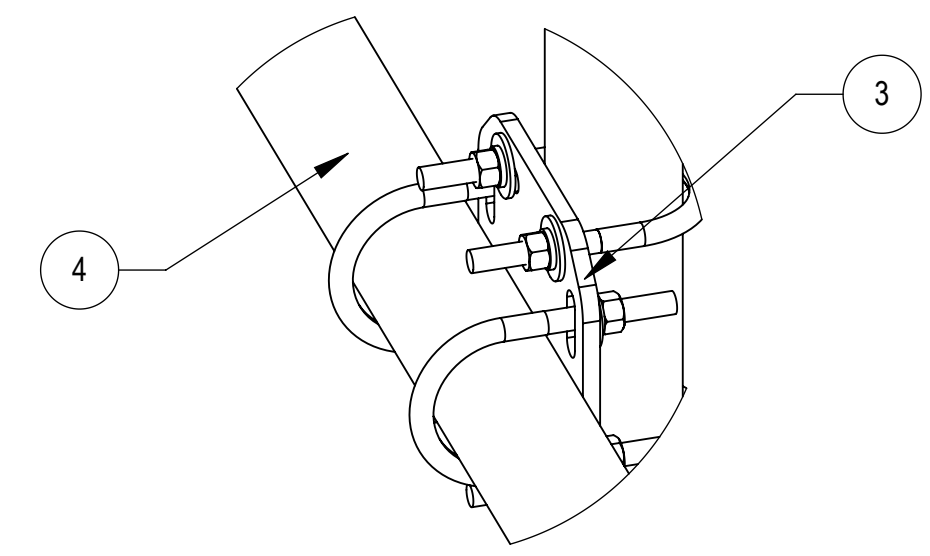
1

D

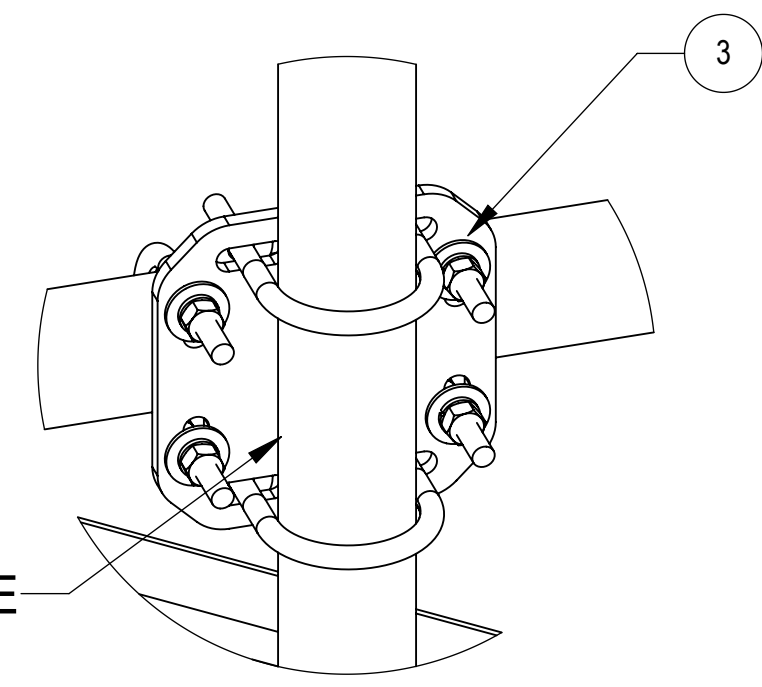
D



DETAIL A
SCALE 1 : 4



DETAIL B
SCALE 1 : 4



ANTENNA PIPE

DETAIL C
SCALE 1 : 4

IMAGE SHOWS MC4-HR25X-10-16 MOUNTED ON AN MC-PM10M4 SERIES PLATFORM.
THE PLATFORM, VERTICAL PIPES AND RING MOUNT ARE SHOWN FOR MOUNTING CLARITY AND ARE NOT INCLUDED IN THIS KIT.
CONFIGURATION SHOWN IS FOR 45" OD POLE MOUNTING.

A

A

COMMSCOPE, INC. OF NORTH CAROLINA				
TITLE HR4, MONO PLATF, 2-7/8X10,16, 2-7/8 HRW				
SIZE C	SCALE 1:48	DOCUMENT NO. MC4-HR25X-10-16		
		DRAWING		SHEET
		VERSION	STATUS	REVISION
		01	RE	B
				2 OF 2

4

3

2

1