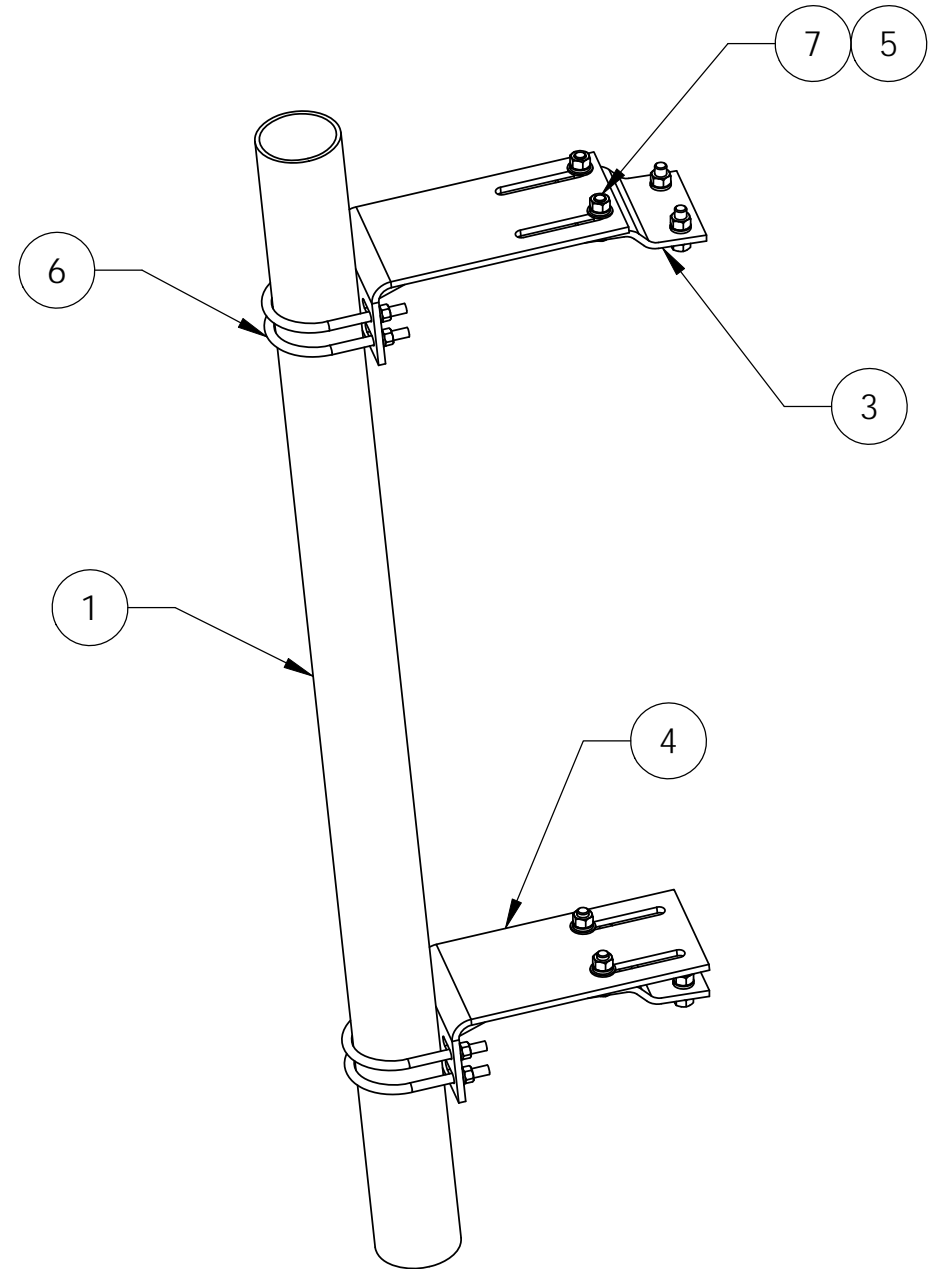
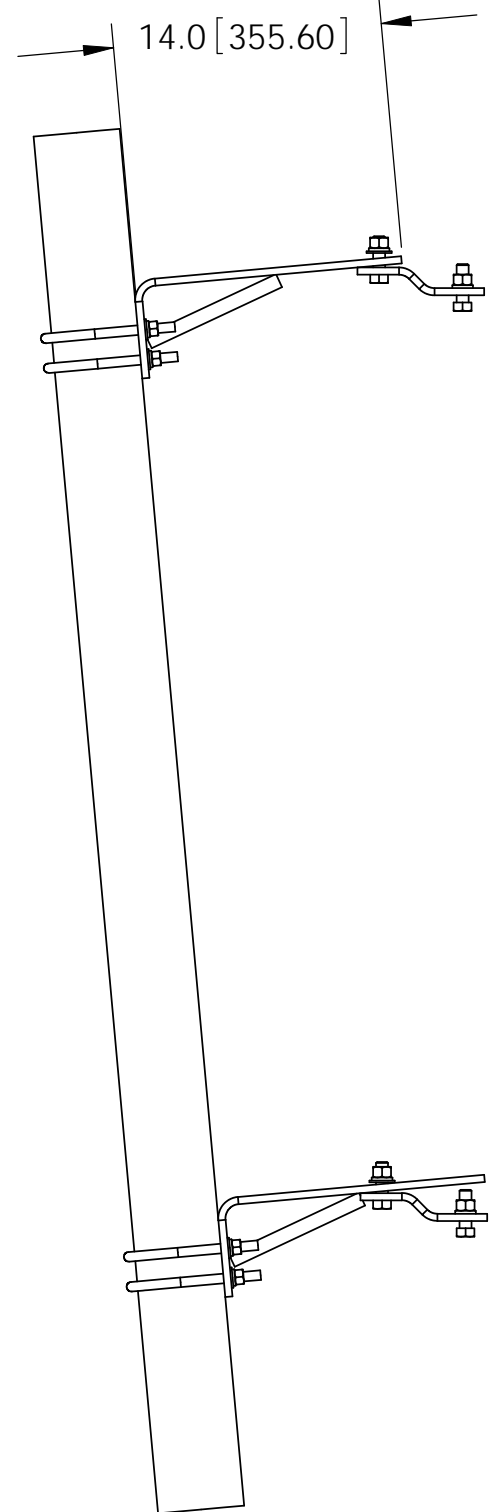


ITEM	PART NO.	DESCRIPTION	QTY.	WEIGHT
1	MT-XXX	Ø 4.5" O.D. PLAIN END PIPE	1	SEE TABLE
2	PM-SL4L	BASE KIT (ITEMS 3-7)	1	-
3	PMSL.01	S-BRACKET	2	4.26 LBS
4	PMSL05	14" L-Bracket	2	13.44 LBS
5	GWF-05	5/8" GALV FLAT WASHER	4	0.03 LBS
6	GUB-4456	1/2" X 4-5/8" X 6-1/2" GALV U-BOLT	4	0.57 LBS
7	GB-0520A	5/8" X 2" GALV BOLT KIT (A325)	8	0.04 LBS

REVISIONS				
REV.	ZONE	DESCRIPTION	BY	DATE
A		INITIAL RELEASE	MSM	10/14/09
B		CHANGE HARDWARE TO A325	MSM	02/25/10




PART NUMBER	PLAIN END PIPE	DESCRIPTION	WEIGHT
PM-SL4L-63	MT-653-63	PLAIN END PIPE 4-1/2" OD X 63"	93.87 LBS
PM-SL4L-96	MT-654-96	PLAIN END PIPE 4-1/2" OD X 96"	124.87 LBS
PM-SL4L	N/A	N/A	36.87 LBS

These drawings and specifications are the proprietary property of ANDREW CORPORATION and may be used only for the specific purpose authorized in writing by Andrew Corporation.

ALL DIMENSIONS ARE IN INCHES U.O.S.  
 TOLERANCES UNLESS OTHERWISE SPECIFIED:  
 .X = .12 ANGLES 2'  
 .XX = .06 FRACTIONS 1/32  
 .XXX = .03

REMOVE BURRS AND BREAK EDGES .005

DO NOT SCALE THIS PRINT

DRAWN BY: MSM	SHEET: 1 of 1	PART NUMBER: PM-SL4L SERIES
CHECKED BY: TP	SCALE: NTS	DESCRIPTION: SLIDE MOUNT 4-1/2" OD PIPE
DATE: 10/14/09	MATERIAL: A36	DRAWING TYPE: ASSEMBLY DRAWING
REVISION: B	FINISH: GALV A123	 ORLAND PARK, IL. 60462 U.S.A.
	WEIGHT: SEE TABLE	