

# PM-SU4-63

---



## Universal Sliding Pipe Mount Kit for 4-1/2 in OD x 63 in pipe

### Product Classification

**Product Type** Pipe mount

### General Specifications

**Mounting** Angle 60°, 203.2 mm (8 in) | Angle 90°, 152.4 mm (6 in) | Straight or tapered legs up to 203.2 mm (8 in) OD

**Note** One 96 in x 8 in panel antenna per sector

**Pipe, quantity** 1

**Tower Taper** Tapered

### Dimensions

**Height** 1,600.2 mm | 63 in

**Width** 304.8 mm | 12 in

**Length** 304.8 mm | 12 in

**Pipe Length** 1,600.2 mm | 63 in

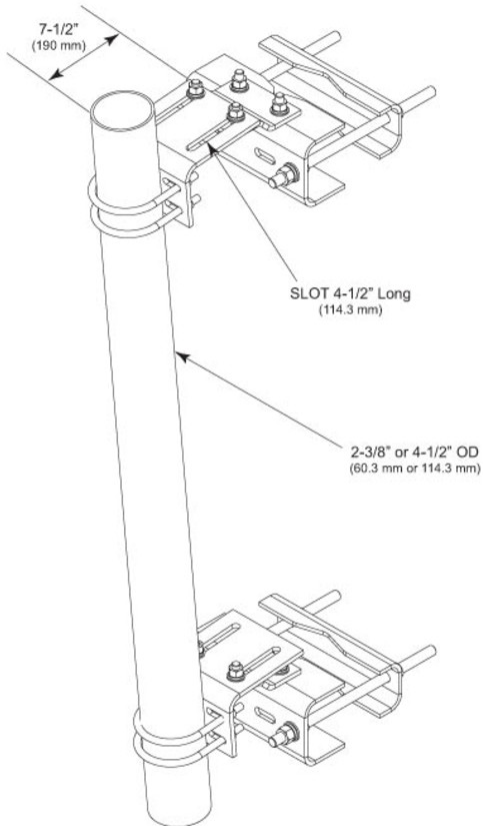
**Mounting Diameter, maximum** 203.2 mm | 8 in

**Mounting Diameter, minimum** 0 mm | 0 in

**Pipe Outer Diameter** 114.3 mm | 4.5 in

# PM-SU4-63

## Outline Drawing



## Material Specifications

**Material Type** Hot dip galvanized steel

## Mechanical Specifications

**Wind Rating** 120 mph (BWS) at 150 ft AGL

**Wind Rating Test Method** TIA/EIA-222

## Packaging and Weights

**Included** Pipe | Sliding pipe mount brackets | Universal saddle mount

**Packaging quantity** 1

# PM-SU4-63

---

**Weight, net** 62.6 kg | 138.009 lb

## Regulatory Compliance/Certifications

**Agency**

ISO 9001:2015



**Classification**

Designed, manufactured and/or distributed under this quality management system

## Included Products

- MT-653-63 – Plain End Pipe, 4-1/2 in OD x 63 in x .237" A500C 46Ksi
- PM-SL4 – Universal Taper Pipe Mount Slider Bracket for 4-1/2 in OD pipe
- SM-U2080 – Universal Saddle Mount for straight or tapered legs up to 8 in OD, 8 in angle 60°, or 6 in angle 90°

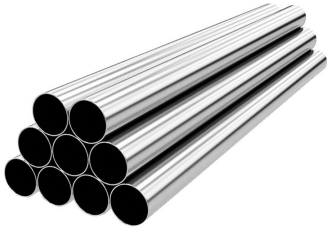
## \* Footnotes

**Wind Rating**

BWS—Base Wind Speed; FBC—Florida Building Code

# MT-653-63

---



Plain End Pipe, 4-1/2 in OD x 63 in x .237" A500C 46Ksi

## Product Classification

**Product Type** Plain end pipe

## General Specifications

**Pipe, quantity** 1

## Dimensions

**Height** 114.3 mm | 4.5 in  
**Width** 114.3 mm | 4.5 in  
**Length** 1,600.2 mm | 63 in  
**Pipe Length** 1,600.2 mm | 63 in  
**Pipe Outer Diameter** 114.3 mm | 4.5 in  
**Material Thickness** 6.02 mm | 0.237 in

## Material Specifications

**Material Type** A500 | Hot dip galvanized steel  
**Material Grade** C  
**Material Strength** 46 kilopounds per square inch

## Packaging and Weights

**Included** Pipe  
**Packaging quantity** 1  
**Weight, net** 25.9 kg | 57.1 lb

## Regulatory Compliance/Certifications

Agency	Classification
ISO 9001:2015	Designed, manufactured and/or distributed under this quality management system

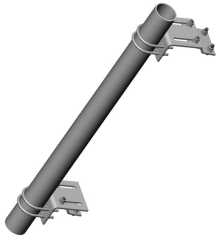
# MT-653-63

---



# PM-SL4

---



Universal Taper Pipe Mount Slider Bracket for 4-1/2 in OD pipe

## Product Classification

**Product Type** Pipe mount

## General Specifications

**Mounting** Saddle mounts

**Note** One 96 in x 8 in panel antenna per pipe mount

**Pipe, quantity** 0

**Tower Taper** Tapered

## Dimensions

**Height** 127 mm | 5 in

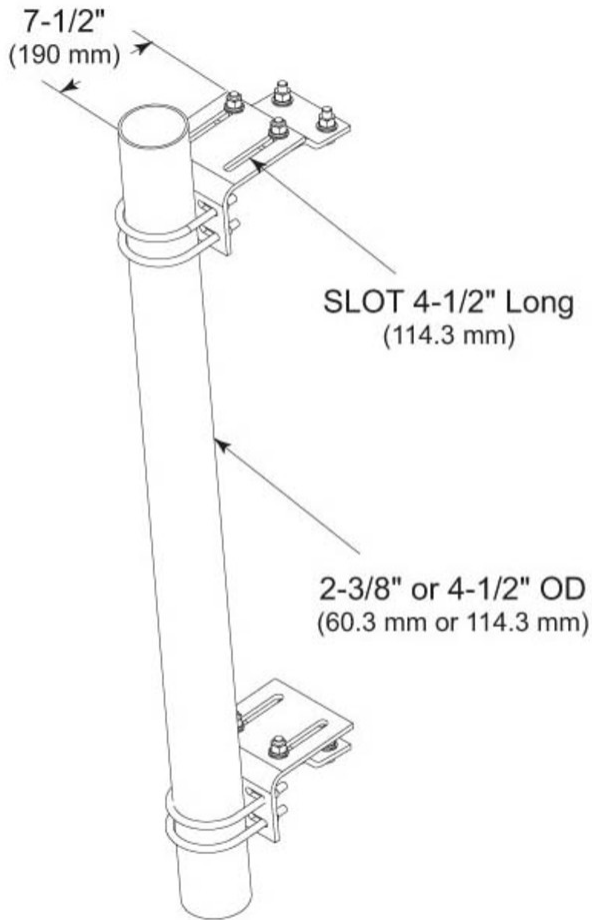
**Width** 152.4 mm | 6 in

**Length** 304.8 mm | 12 in

**Pipe Outer Diameter** 114.3 mm | 4.5 in

# PM-SL4

## Outline Drawing



## Material Specifications

**Material Type** Hot dip galvanized steel

## Mechanical Specifications

**Wind Rating** 120 mph (BWS) at 150 ft AGL

**Wind Rating Test Method** TIA/EIA-222

## Packaging and Weights

**Included** Hardware | Sliding pipe mount brackets

**Packaging quantity** 2

# PM-SL4

---

**Weight, net**

14.2 kg | 31.306 lb

## Regulatory Compliance/Certifications

**Agency****Classification**

ISO 9001:2015

Designed, manufactured and/or distributed under this quality management system

REACH-SVHC

Compliant as per SVHC revision on [www.commscope.com/ProductCompliance](http://www.commscope.com/ProductCompliance)

ROHS

Compliant

UK-ROHS

Compliant



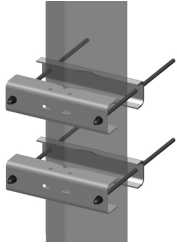
## \* Footnotes

**Wind Rating**

BWS—Base Wind Speed; FBC—Florida Building Code



# SM-U2080



Universal Saddle Mount for straight or tapered legs up to 8 in OD, 8 in angle 60°, or 6 in angle 90°

## Product Classification

**Product Type** Saddle mount

## General Specifications

**Mounting** Angle 60°, 203.2 mm (8 in) | Angle 90°, 152.4 mm (6 in) | Straight or tapered legs up to 203.2 mm (8 in) OD

**Tower Taper** Non-tapered

## Dimensions

**Height** 152.4 mm | 6 in

**Width** 279.4 mm | 11 in

**Length** 254 mm | 10 in

**Mounting Diameter, maximum** 203.2 mm | 8 in

**Mounting Diameter, minimum** 0 mm | 0 in

## Material Specifications

**Material Type** Hot dip galvanized steel

## Packaging and Weights

**Included** Mount

**Packaging quantity** 2

**Weight, net** 22.7 kg | 50.045 lb

## Regulatory Compliance/Certifications

Agency	Classification
CHINA-ROHS	Below maximum concentration value
ISO 9001:2015	Designed, manufactured and/or distributed under this quality management system
REACH-SVHC	Compliant as per SVHC revision on <a href="http://www.commscope.com/ProductCompliance">www.commscope.com/ProductCompliance</a>
ROHS	Compliant

# SM-U2080

---

UK-ROHS

Compliant

