

4

3

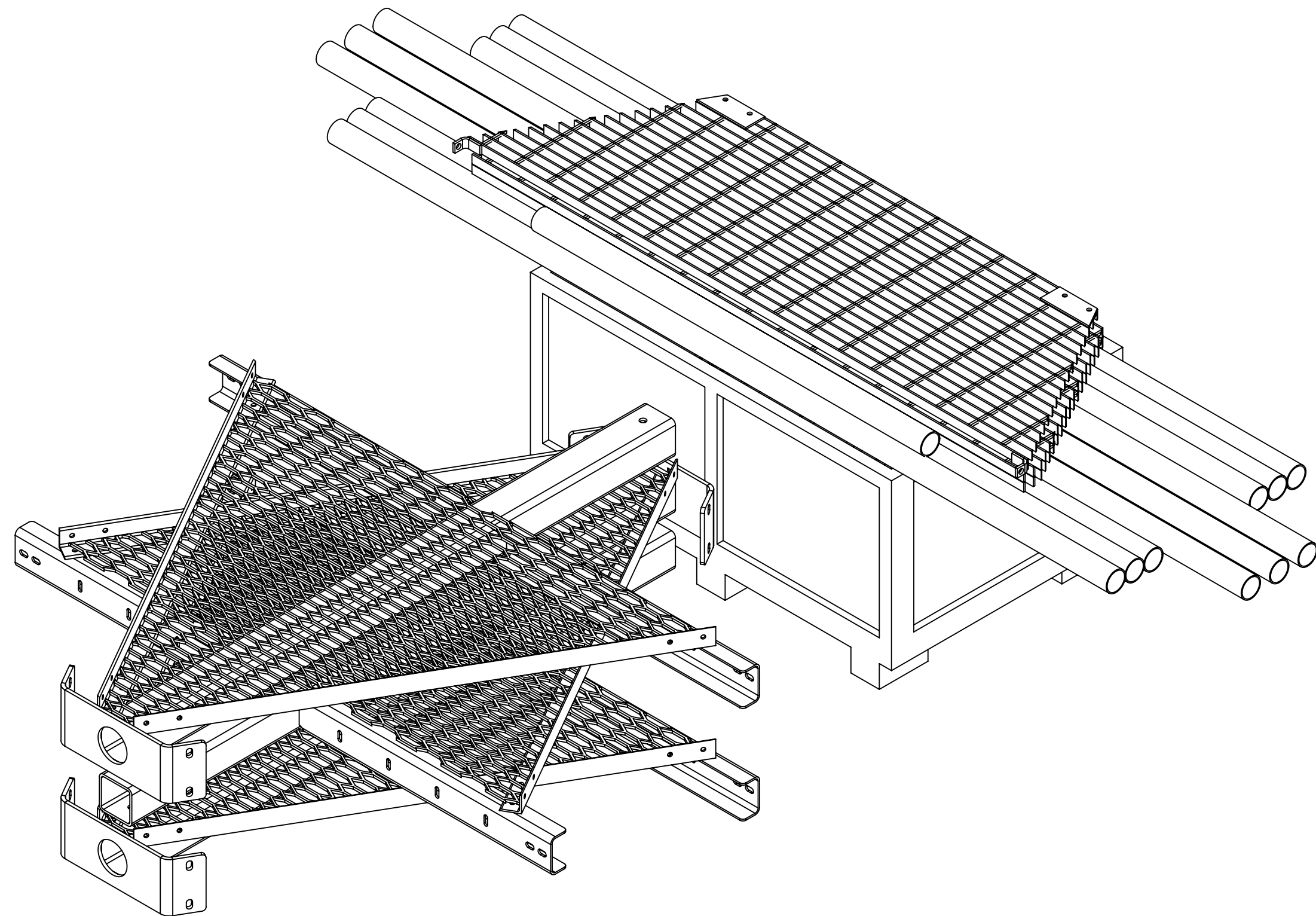
2

1

NOTES:

- 1.0 GENERAL
  - 1.1 ALL METRIC DIMENSIONS ARE IN BRACKETS
  - 1.2 FOR PATENTS, SEE WWW.CS-PAT.COM
- 2.0 DESIGN NOTES
- 3.0 MANUFACTURING/SPECIAL REQUIREMENTS
- 4.0 TEST
- 5.0 PACKAGING

REVISIONS				
REV.	ECN	DESCRIPTION	BY	DATE
A	800009653	INITIAL RELEASE	ADW	8/7/2015
B	8000039312	UPDATED MTC3397U01 WELDMENT	ES1081	05/15/20



FOR BOM ENTRY ONLY

ITEM	PART NO.	DESCRIPTION	QTY.	WEIGHT	NOTE NO.
1	MTC3397UB1	PLATFORM TRIANGLE WELDMENT BUNDLE	1	452.71 LBS	
2	MTC3397UHK	HARDWARE KIT FOR MTC3397U	1	528.21 LBS	
3	MTC3397UB2	PIPE AND GRATING BUNDLE	1	417.46 LBS	

COMMScope, INC. OF NORTH CAROLINA

TOLERANCES		SAP MATERIAL MASTER						
1 PLACE .X ± .25	3 PLACE .XXX ± 0.06	MTC3397U						
2 PLACE .XX ± 0.12	ANGLES ± 2°							
FINISH GALV A123		MATERIAL A36, A500, A529						
UNLESS OTHERWISE SPECIFIED DIMENSIONS ARE IN INCHES INTERPRET PER ANSI Y 14.5M-1994	NAME	DATE	TITLE <b>10-30 FULL GRATING MONOPOLE PLATFORM</b>					
	CE ES1081	03/25/20						
	RW ES1081	06/01/2020						
	RV							
	AD MC1107	06/02/2020						
RE ES1081	06/23/2020	SCALE	DOCUMENT NO.					
ECN 008000039312	1:10	MTC3397U						
SIZE	WORK AREA 24	MODEL						
C		VERSION	STATUS	REVISION	VERSION	STATUS	REVISION	SHEET 1 OF 6
		00	RE	A	02	RE	B	

DENSITY	0.18	lbs/in <sup>3</sup>
MASS	1398.38	lbs
VOLUME	7980.94	in <sup>3</sup>
SURFACE AREA		in <sup>2</sup>
HEIGHT		
LENGTH		
WIDTH		

4

3

2

1

4

3

2

1

NOTES:

D

D

C

C

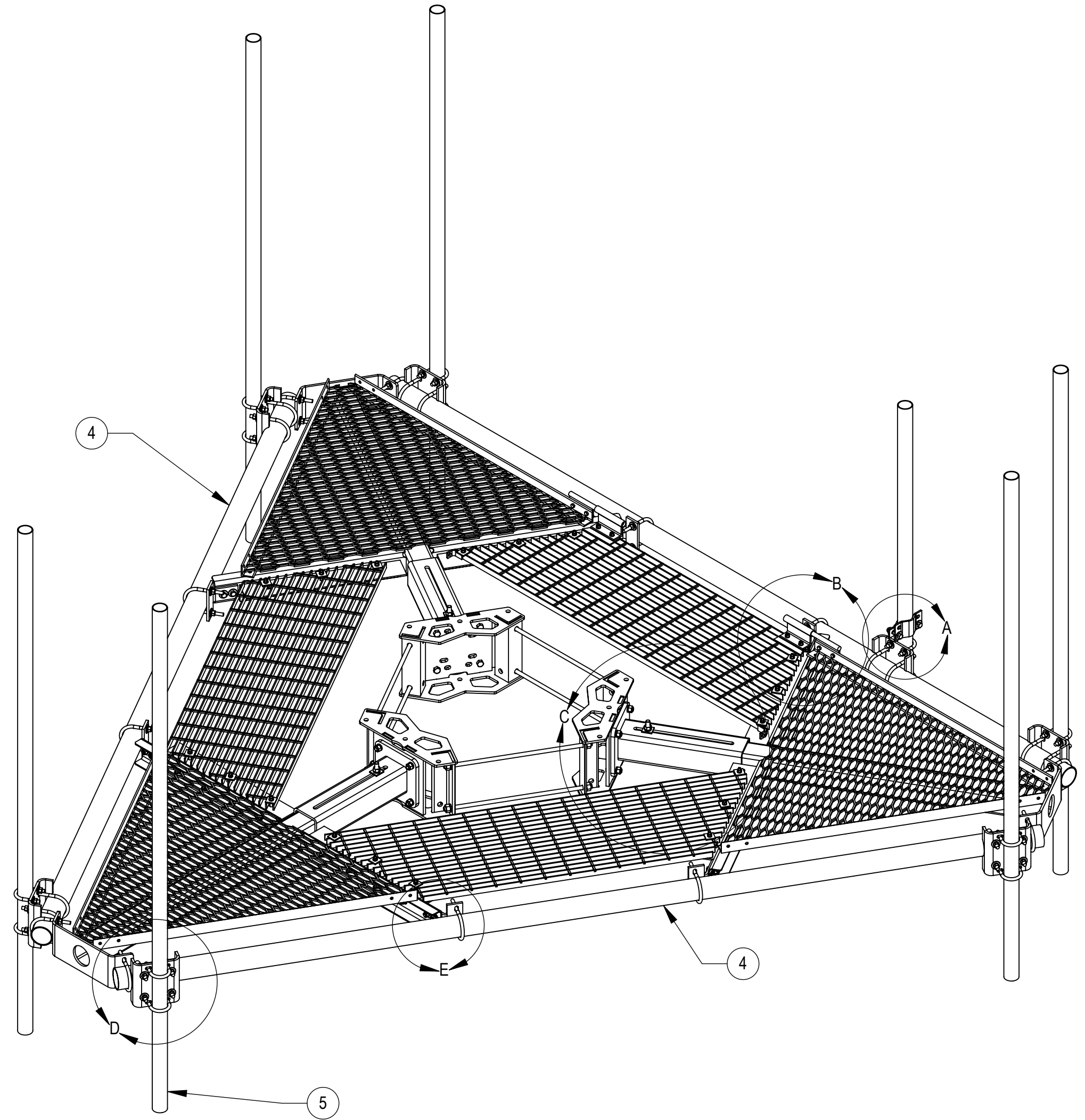
B


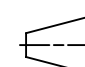
B

A

A

ITEM NO.	PART NUMBER	DESCRIPTION	QTY.	WEIGHT
1	MC-RM1030-3	Ø 10" - Ø 30" RINGMOUNT	1	145.97 LBS
2	MTC339702	SLIDER BASE	3	46.28 LBS
3	MTC3397U01	PLATFORM TRIANGLE WELDMENT	3	150.90 LBS
4	MT21601	PIPE, Ø 3.5" OD X 150"	3	75.17 LBS
5	MT-651-96	Ø 2.375" OD X 96" PIPE	6	23.05 LBS
6	MT-650	Ø 2.375" OD X 48" PIPE	1	11.52 LBS
7	MT196.17	MT196 PIPE MOUNT PLATE	6	2.49 LBS
8	MTC339713	GRATING CORNER FILLER	2	61.27 LBS
9	GUB-4356	1/2" X 3-5/8" X 6" GALV U-BOLT	26	0.81 LBS
10	GUB-4240	1/2" X 2-1/2" X 4" GALV U-BOLT	14	0.56 LBS
11	GB-0520A	5/8" X 2" GALV BOLT KIT (A325)	12	0.26 LBS
12	GB-04145	1/2" X 1-1/2" GALV BOLT KIT	12	0.13 LBS
13	GB-0570A	5/8" X 7" GALV BOLT KIT A325	3	0.69 LBS
14	GB-03225	3/8" X 2-1/4" GALV BOLT KIT	18	0.09 LBS
15	GB-03105	3/8" X 1" GALV BOLT KIT	8	0.05 LBS
16	GB-04245	1/2" X 2-1/2" GALV BOLT KIT	2	0.18 LBS
17	GB-03125	3/8" X 1-1/4" GALV BOLT KIT	24	0.06 LBS
18	GWF-04	1/2" GALV FLAT WASHER	28	0.04 LBS
19	GWF-03	3/8" GALV FLAT WASHER	42	0.01 LBS
20	MT389	SQUARE WASHER, 1-1/2" X 1-5/8" W/ 11/16" HOLE	6	0.11 LBS
21	MT-387	SQUARE WASHER, 1-1/2" X 1-1/2" W/ 7/16" HOLE	18	0.11 LBS
22	MT21701	PIPE MOUNT PLATE	7	7.93 LBS
23	MTC339732	HINGE WELDMENT	2	2.00 LBS
24	AC-P10D	ANTENNA CLAMP HALF, 1.5"- 3.5"	1	1.22 LBS
25	ACP10	1.5" - 3.5" O.D. CLAMP HALF	1	0.61 LBS
26	MTC339738	GRATING DOOR	1	61.76 LBS
27	MTC339742	HINGE ANGLE WLDMNT	2	1.87 LBS
28	MTC339712	GRATING MOUNT	6	12.45 LBS



COMMSCOPE, INC. OF NORTH CAROLINA				
TITLE 10-30 FULL GRATING MONOPOLE PLATFORM				
SIZE C	SCALE 1:20	DOCUMENT NO. MTC3397U		
DRAWING		VERSION	STATUS	REVISION
 		02	RE	B
				SHEET 2 OF 6

4

3

2

1

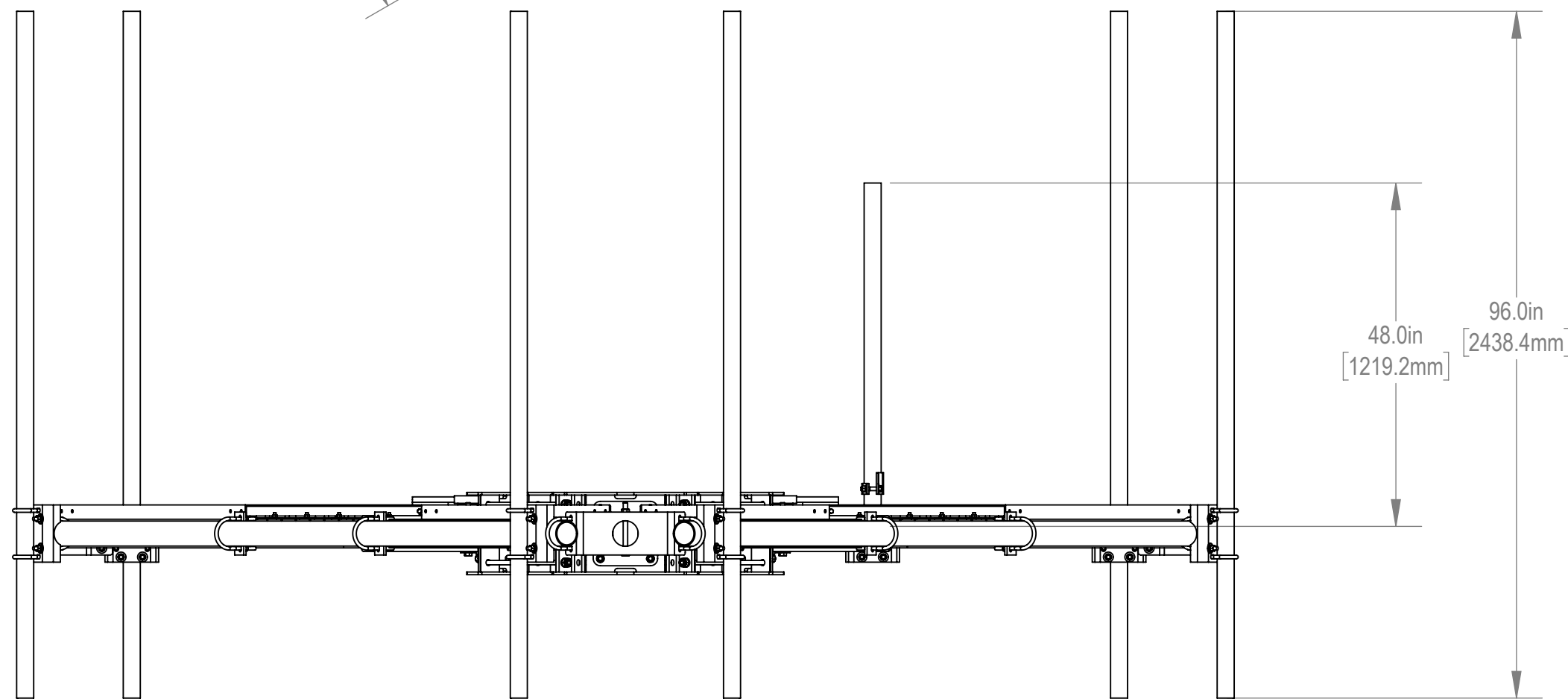
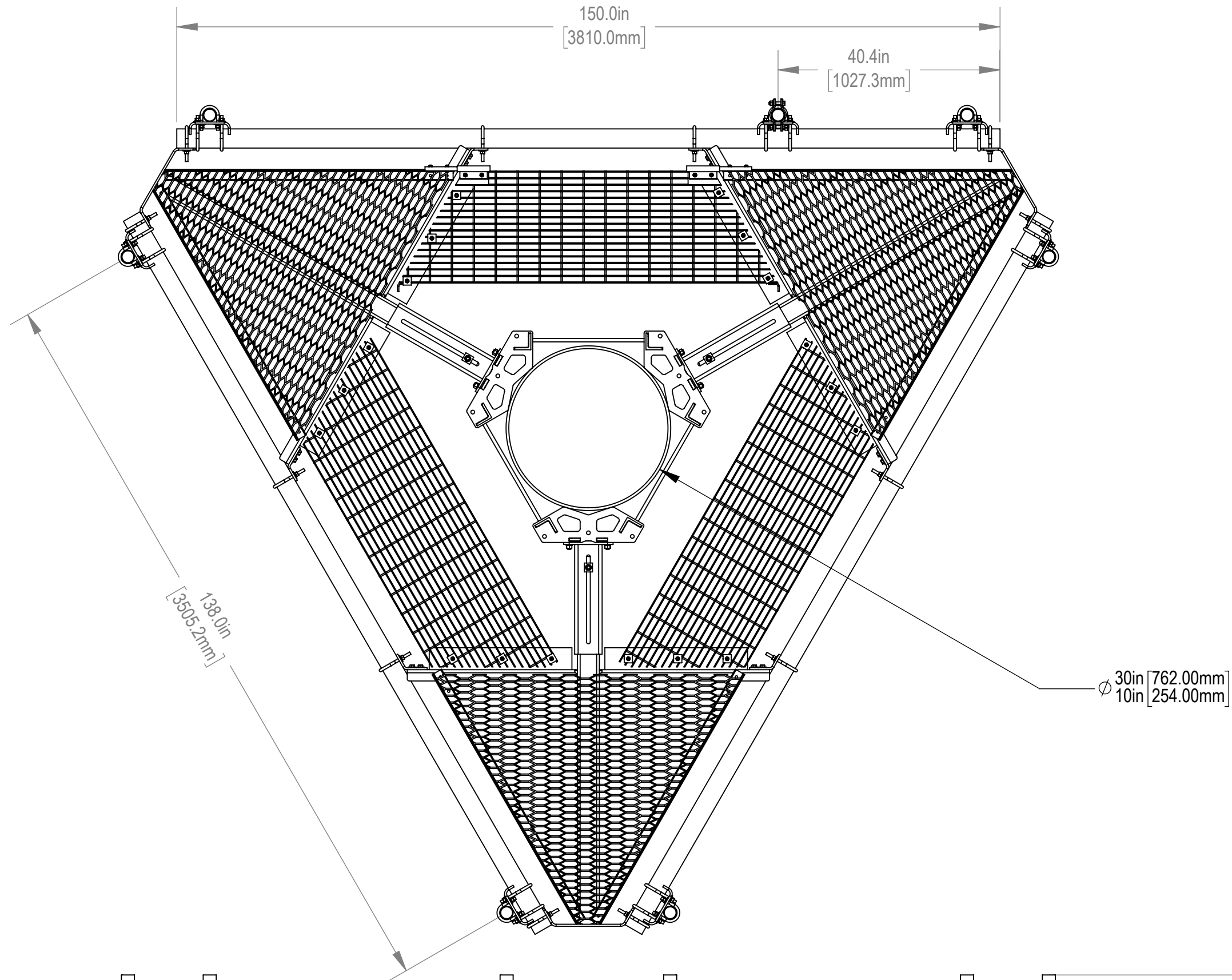
4

3

2

1

NOTES:



COMMSCOPE, INC. OF NORTH CAROLINA				
TITLE 10-30 FULL GRATING MONOPOLE PLATFORM				
SIZE <b>C</b>	SCALE <b>1:20</b>	DOCUMENT NO. <b>MTC3397U</b>		
		DRAWING		SHEET
		VERSION	STATUS	REVISION
		02	RE	B
				3 OF 6

© 2020 CommScope, Inc. Confidential

4

3

2

1

D

D

C

C

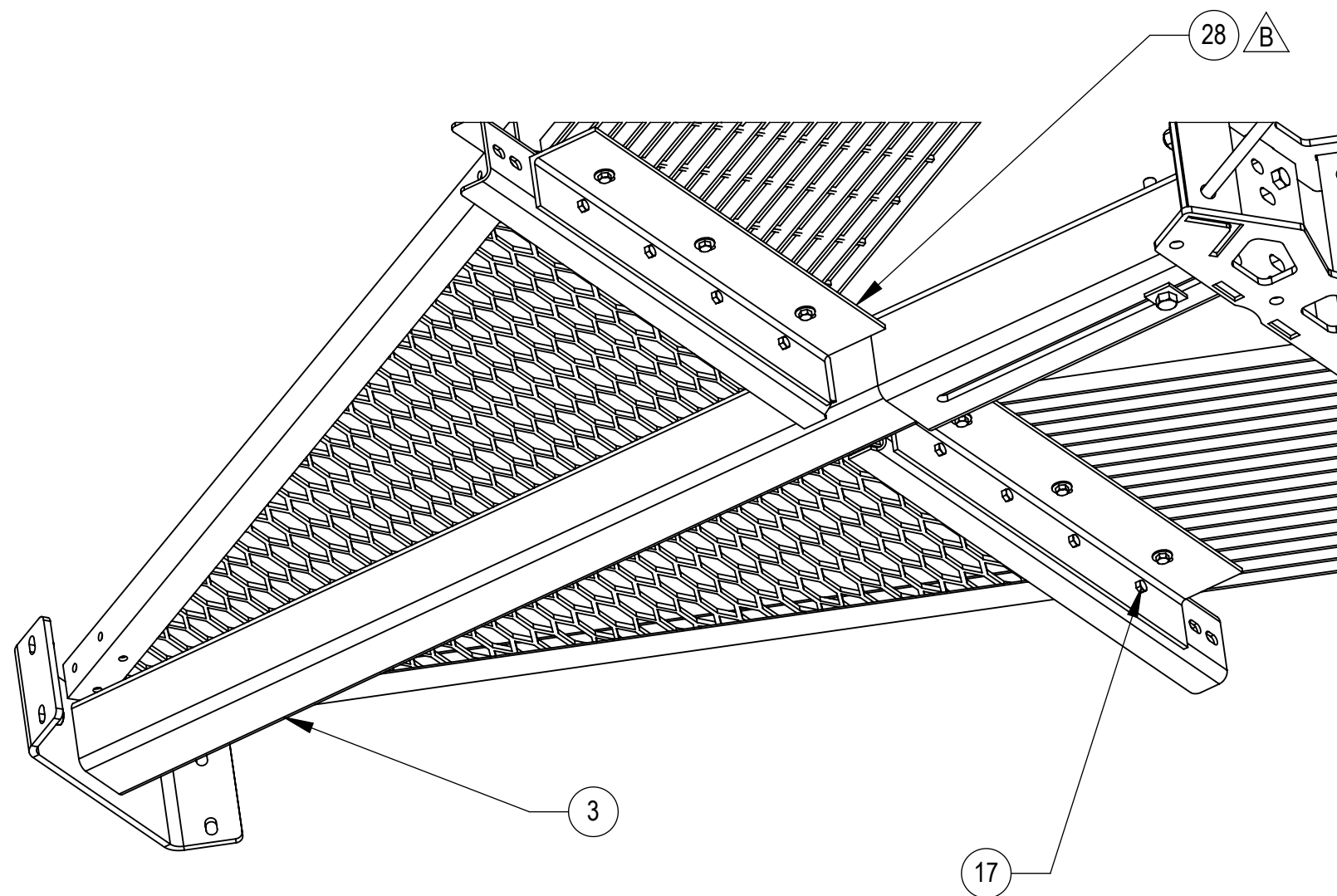
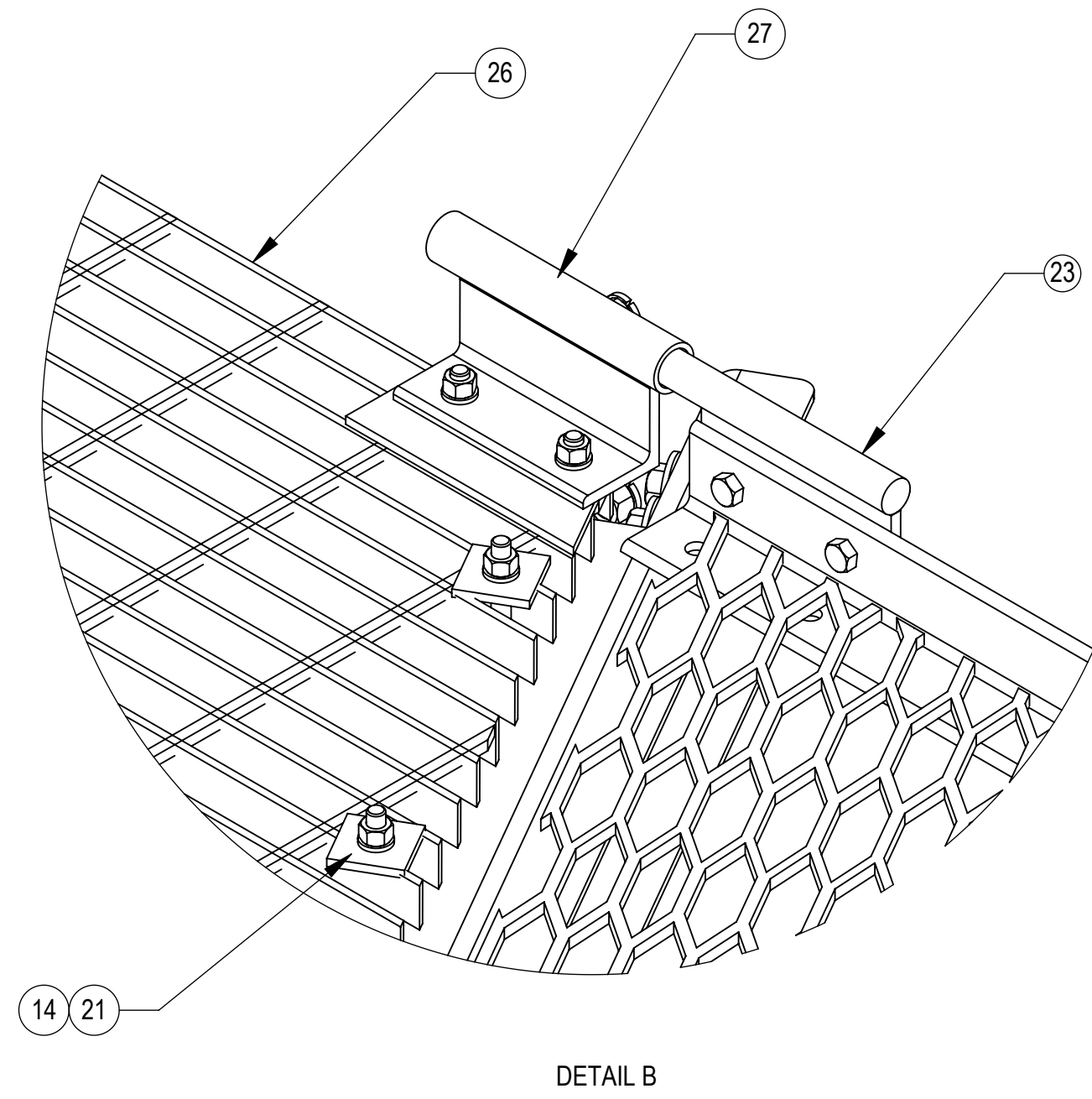
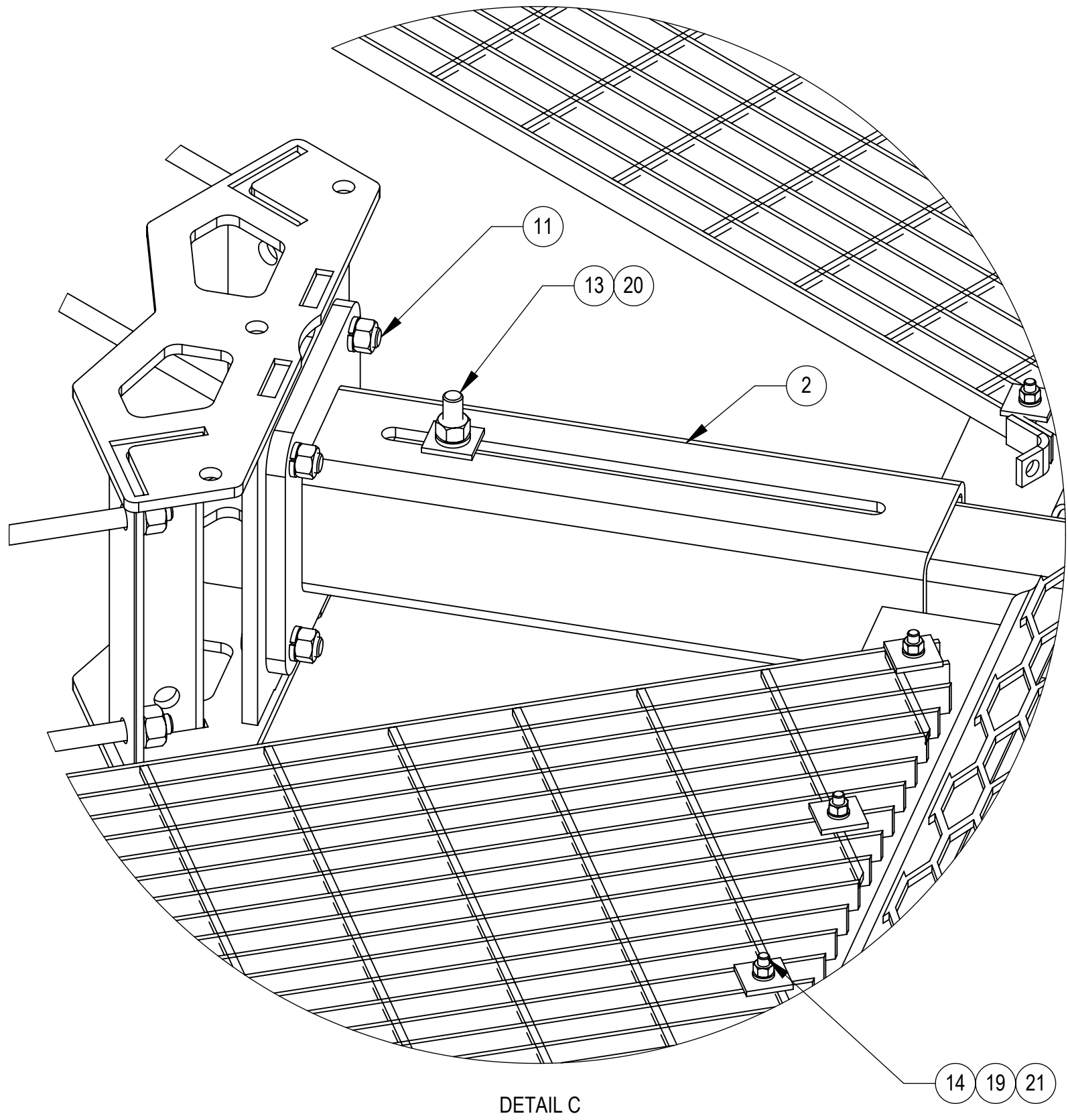
B


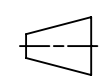
B

A

A

NOTES:



COMMSCOPE, INC. OF NORTH CAROLINA				
TITLE 10-30 FULL GRATING MONOPOLE PLATFORM				
SIZE <b>C</b>	SCALE <b>1:10</b>	DOCUMENT NO. <b>MTC3397U</b>		
 		DRAWING		SHEET
		VERSION 02	STATUS RE	REVISION B

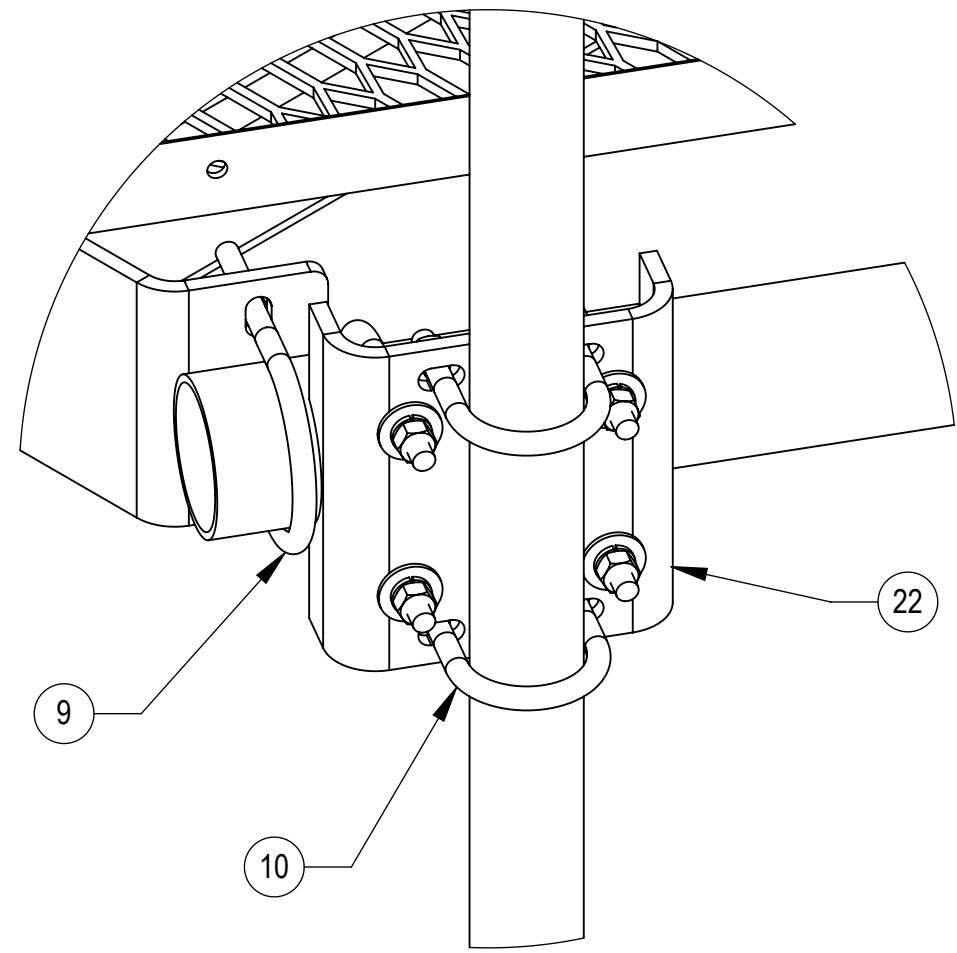
4

3

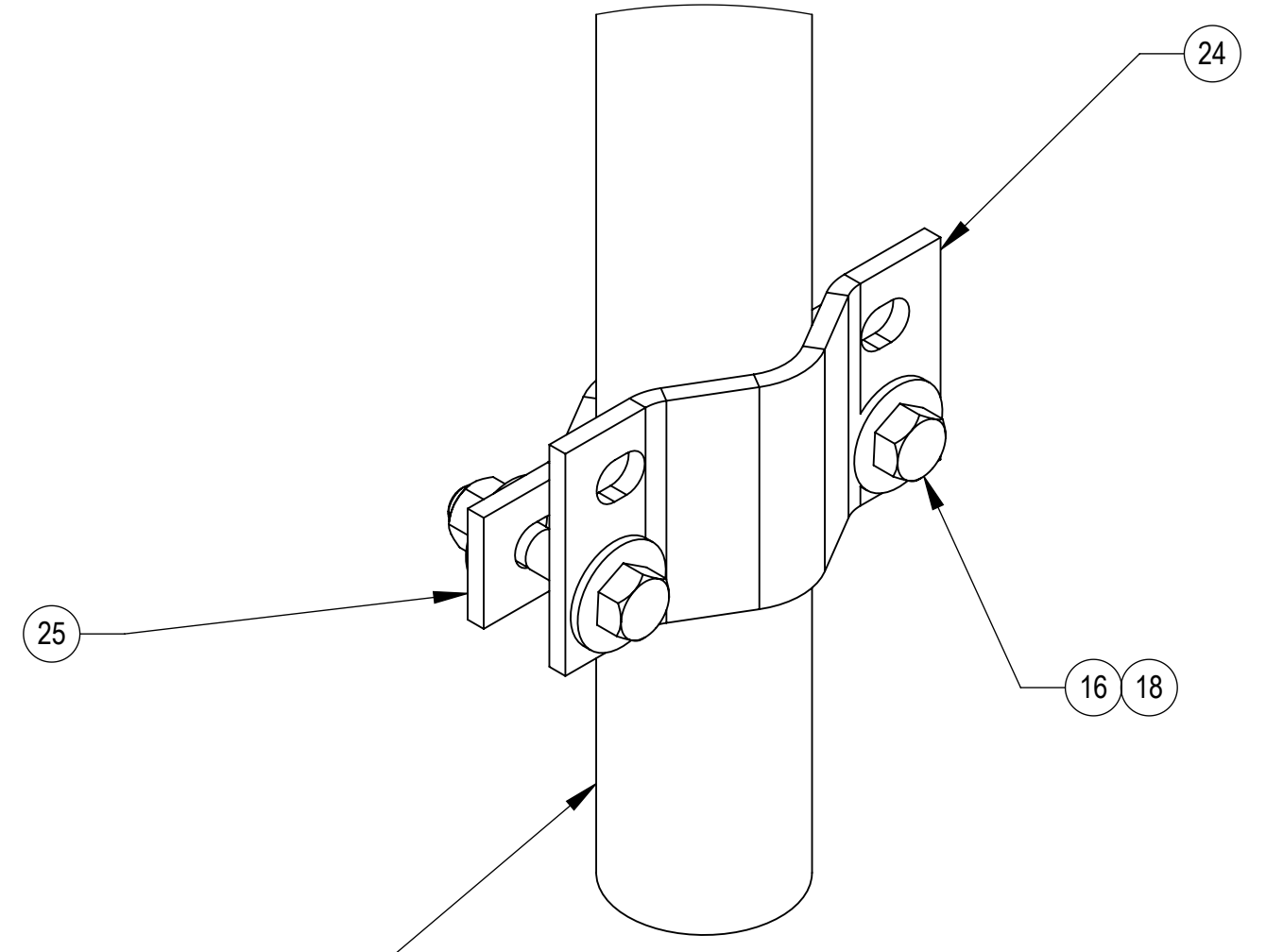
2

1

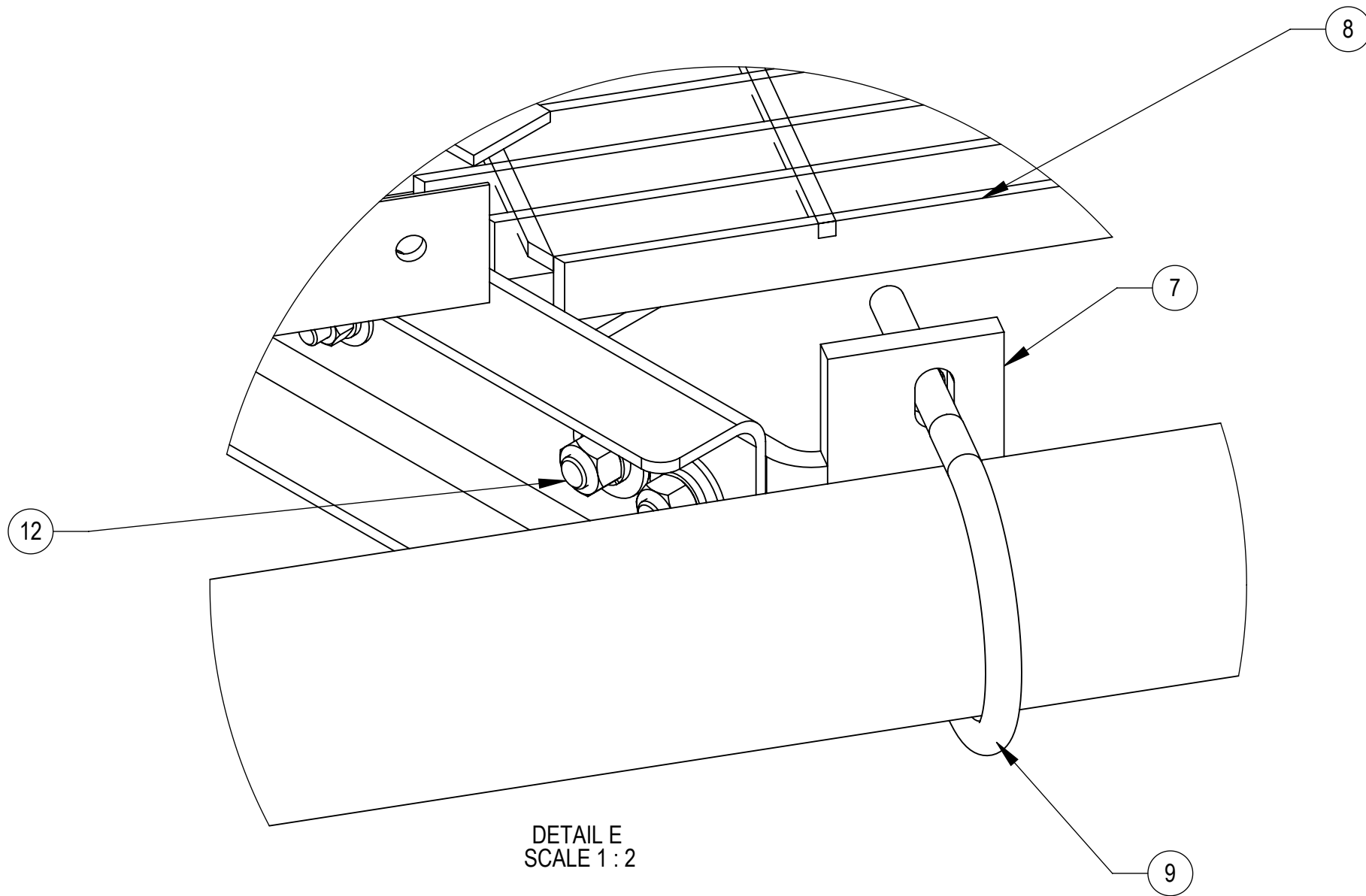
NOTES:




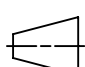
DETAIL D  
SCALE 1 : 4



DETAIL A  
SCALE 1 : 2



DETAIL E  
SCALE 1 : 2

COMMSCOPE, INC. OF NORTH CAROLINA				
TITLE 10-30 FULL GRATING MONOPOLE PLATFORM				
SIZE <b>C</b>	SCALE <b>1:10</b>	DOCUMENT NO. <b>MTC3397U</b>		
 		DRAWING		SHEET 5 OF 6
		VERSION 02	STATUS RE	

© 2020 CommScope, Inc. Confidential

4

3

2

1

D

D

C

C

B

B

A

A

4

3

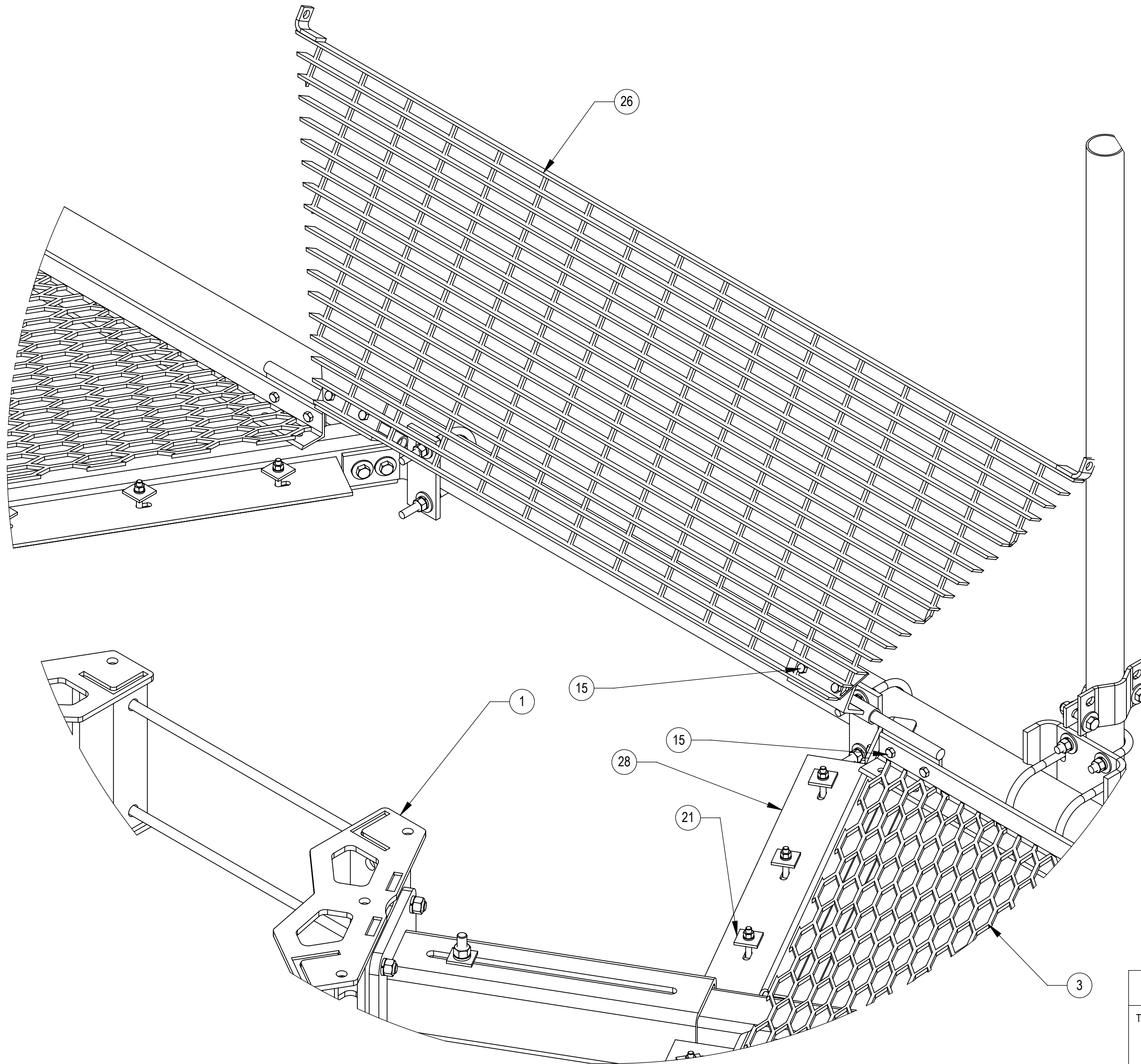
2

1

NOTES:

1.0 CUSTOMER SUPPLIED LOCKING MECHANISM FOR GRATING WHEN HINGED IN UP POSITION.

SHOWN WITH GRATING HINGED UP



DETAIL F  
SCALE 1:5

COMMSCOPE, INC. OF NORTH CAROLINA					
TITLE 10-30 FULL GRATING MONOPOLE PLATFORM					
SIZE C	SCALE 1:10	DOCUMENT NO. MTC3397U			
		DRAWING			SHEET
		VERSION	STATUS	REVISION	6 OF 6
		02	RE	B	

4

3

2

1