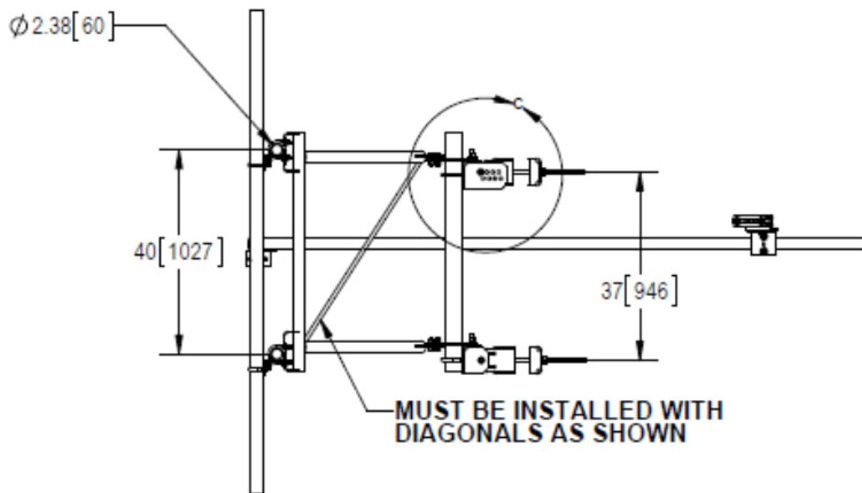
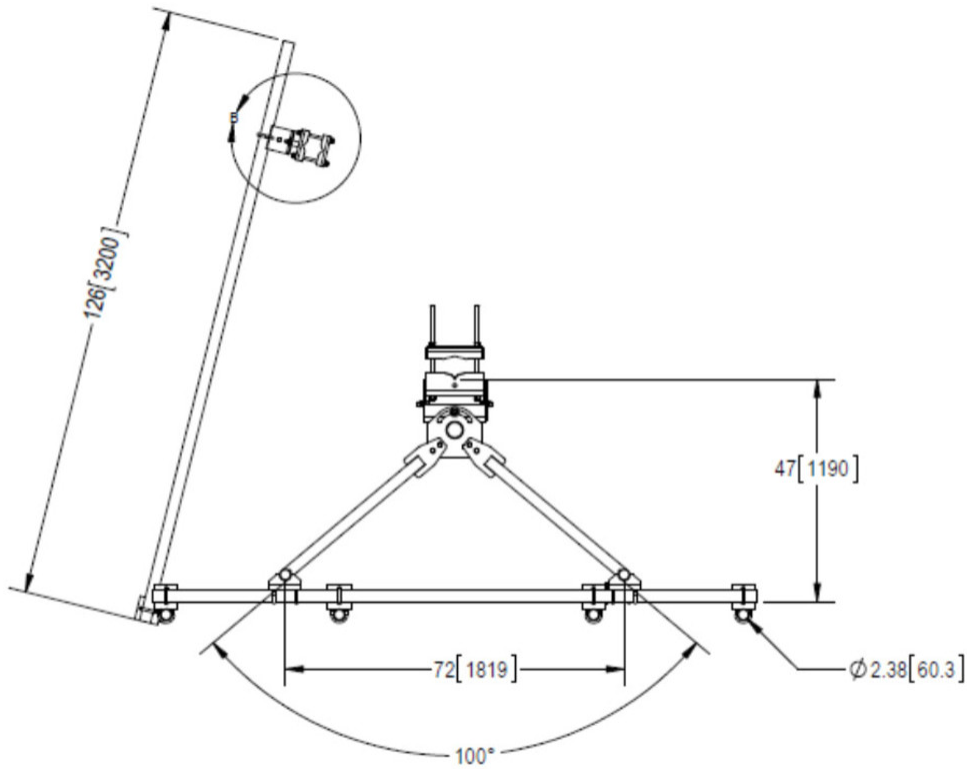


SFG22-14-4-96

Outline Drawing



Material Specifications

Material Type

Hot dip galvanized steel

SFG22-14-4-96

Mechanical Specifications

Load Capacity	With additional stiff arm at 300 ft AGL: 600 lb per pipe w/out ice / 1275 lb per pipe including ice
Wind Rating	For Specifications, please contact steelproducts@commscope.com or call 800-255-1479
Wind Rating Test Method	TIA/EIA-222-G
Wind Rating with Additional Stiff Arm	300 ft AGL: 120 mph (BWS) without ice /60 mph with ice

Packaging and Weights

Included	Frame Pipe mounts Plain end pipes (4) Stiff arm Tower attachment
Packaging quantity	1
Weight, net	240.132 kg 529.4 lb

Regulatory Compliance/Certifications

Agency	Classification
CHINA-ROHS	Above maximum concentration value
ISO 9001:2015	Designed, manufactured and/or distributed under this quality management system
ROHS	Compliant/Exempted
UK-ROHS	Compliant/Exempted



* Footnotes

Wind Rating	BWS—Base Wind Speed; FBC—Florida Building Code
Wind Rating with Additional Stiff Arm	BWS—Base Wind Speed; FBC—Florida Building Code