

# SFG23-10-4-126



G23 High Capacity Sector Frame, 10.5 ft face, includes four 126 in pipes;  
For patents, see [www.cs-pat.com](http://www.cs-pat.com)

## OBSOLETE

This product was discontinued on: **March 22, 2023**

### Replaced By:

SFG23HDX-10-4-126      G23HDX High Capacity Sector Frame, 10.5 ft x 2.88 in OD face pipes, includes four 2.88 OD 126 in antenna pipes

## Product Classification

**Product Type**                      High capacity Tower sector frame

## General Specifications

**Application**                      4G LTE antenna/radio mount

**Mounting**                          Angle 60°, 203.2 mm (8 in) | Straight or tapered legs up to 203.2 mm (8 in) OD

**Patent Number**                  Patent pending

**Pipe, quantity**                    4

**Tower Taper**                      Non-tapered | Tapered

## Dimensions

**Height**                              3,200.4 mm | 126 in

**Face Width**                        3.2 m | 10.5 ft

**Width**                                3,200.4 mm | 126 in

**Pipe Length**                       3,200.4 mm | 126 in

**Face Support Pipe Diameter**    60.325 mm | 2.375 in

**Mounting Diameter, maximum**   218.44 mm | 8.6 in

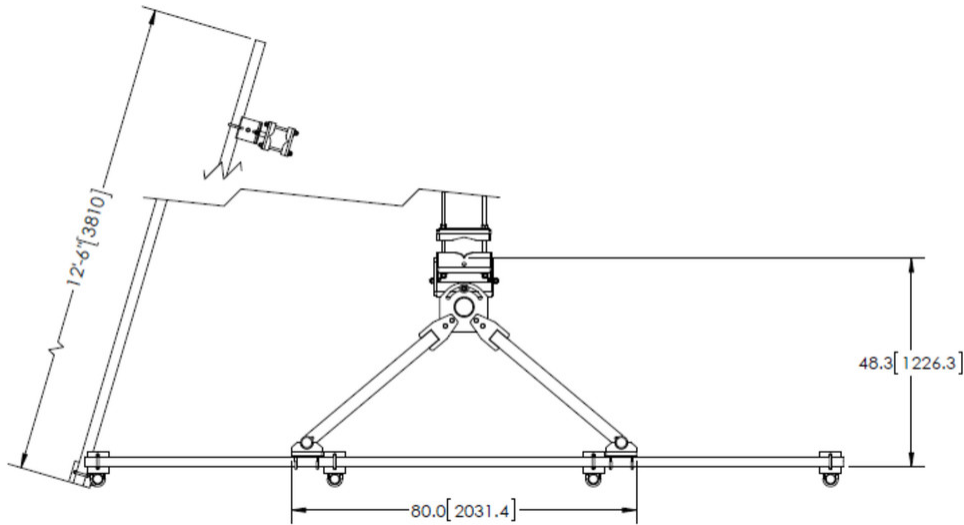
**Mounting Diameter, minimum**   38.1 mm | 1.5 in

**Pipe Outer Diameter**            60.325 mm | 2.375 in

**Stand-off Distance**                1,226.82 mm | 48.3 in

# SFG23-10-4-126

## Outline Drawing



## Material Specifications

**Material Type** Hot dip galvanized steel

## Mechanical Specifications

**Wind Rating** For Specifications, please contact your local ANDREW representative

**Wind Rating Test Method** TIA/EIA-222-G

## Packaging and Weights

**Included** Frame | Pipe mounts | Plain end pipes (4) | Stiff arm | Tower attachment

**Packaging quantity** 1

**Weight, net** 378.296 kg | 834 lb

## Regulatory Compliance/Certifications

Agency	Classification
ISO 9001:2015	Designed, manufactured and/or distributed under this quality management system

## \* Footnotes

**Wind Rating** BWS—Base Wind Speed; FBC—Florida Building Code