

# Installation Instructions

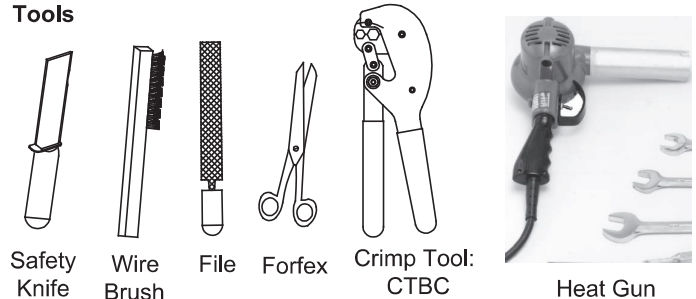
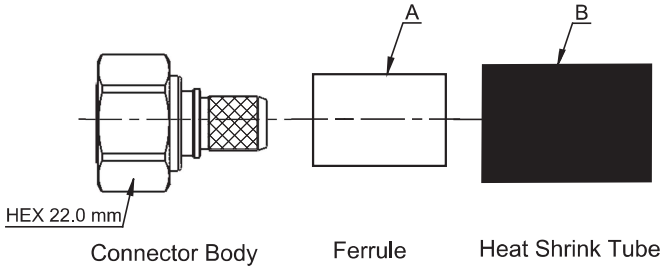
## Connector Attachment

For Braided Cable CNT-400 & CNT-400-FR  
4.3-10 Male, Captivated Pin, Crimp-type Body

*Andrew Institute offers installation training.*

Connector: 400PHM-C-CR

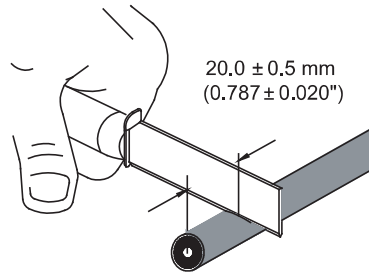
Tools



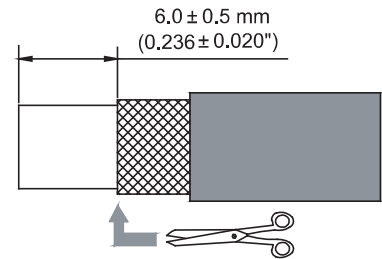
- 1.** Straighten first 200.0 mm (7.874") min. of the cable.



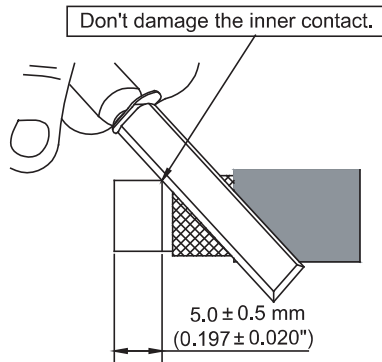
- 2.** Remove 20.0 mm (0.787") of Jacket only.



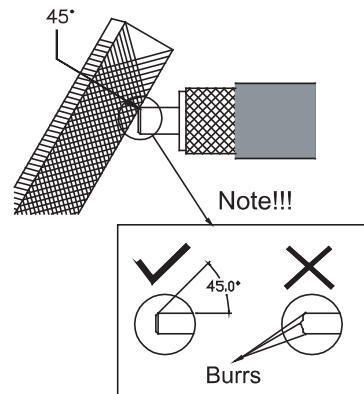
- 3.** Trim 6.0 mm (0.236") of Braid, exposing outer conductor.



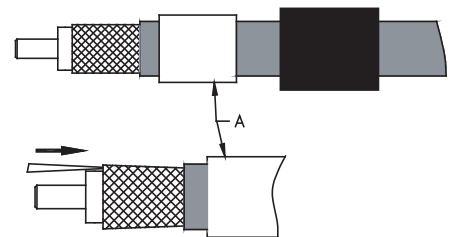
- 4.** Remove 5.0 mm (0.197") of foam, exposing center conductor.



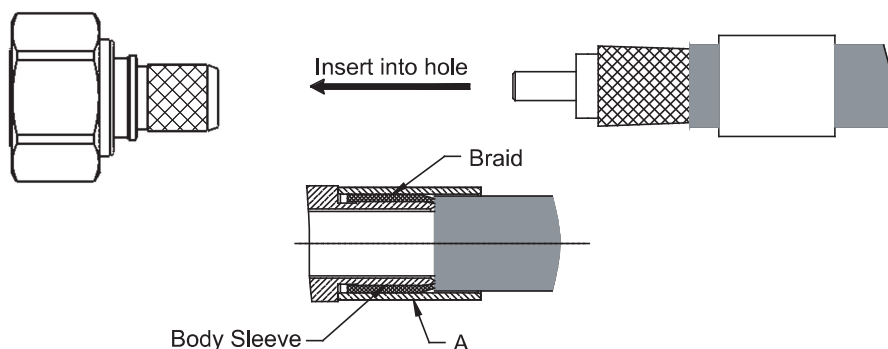
- 5.** Chamfer the center conductor at a 45° angle.



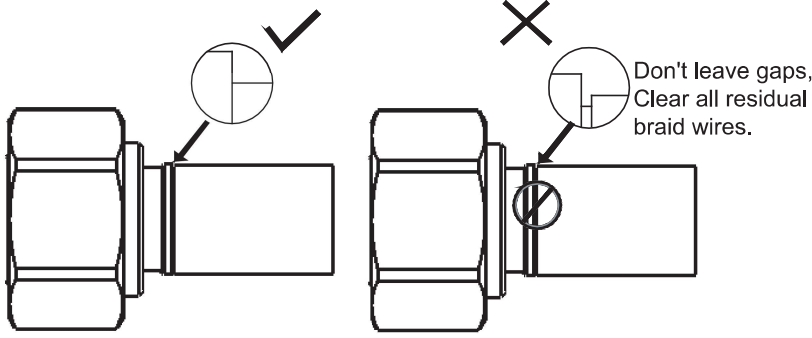
- 6.** Slide part A and B onto cable, splay out braid as shown.



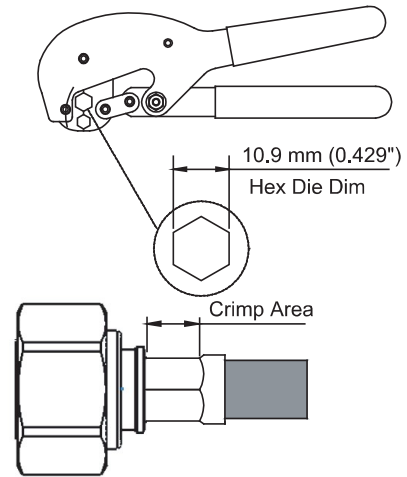
- 7.** The cable attachment must be straight and aligned with the hole of connector inner contact. Insert the cable attachment into connector body until stopped, the cable center conductor must be inserted into inner contact fingers. Make sure the braid cover the body sleeve, then push part A onto braid.



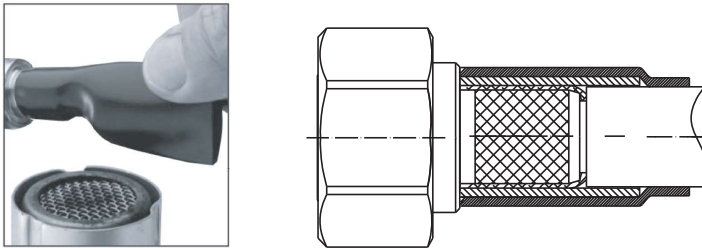
**8.** Connector body and A status as show.



**9.** Crimp the ferrule at the area as shown. Crimp tool part number is: CTBC

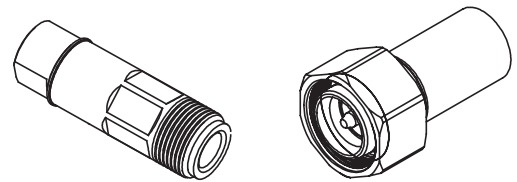


**10.** Bake the heat shrink tube with a heat gun to the location as shown.




**11.** Coupling torque.

5.0-8.0 N·m  
44.2-70.5 lb-in  
4.3-10 type



Interface	Wrench Opening	Torque	Commscope Wrench P/N
4.3-10	22 mm (7/8")	5 Nm (3.7 ft-lb)	TW-4310
		8 Nm (5.9 ft-lb) recommended	TW-4310-8NM

 部件名称 (Part Name)	表一 有毒有害物质或元素名称及含量标识格式					
	有毒有害物质或元素					
	铅 (Pb)	汞 (Hg)	镉 (Cd)	六价铬 (Cr6+)	多溴联苯 (PBB)	多溴二苯醚 (PBDE)
连接器 (Connector)	X	O	O	O	O	O
O: 表示有毒有害物质在该部件所有的均质材料中的含量均在SJ/T 11363-2006规定的限量要求以下。 X: 表示该有毒有害物质至少在该部件的某一均质材料中的含量超出SJ/T 11363-2006规定的限量要求。						

**CommScope**  
1100 CommScope Place SE P.O. Box 339, Hickory, NC 28603-0339  
(828) 324-2200 (800) 982-1708  
www.commscope.com

**Customer Service 24 hours**  
North America: +1-800-255-1479 (toll free)  
Any country: +1-779-435-6500  
email: acicustomersupportcenter@commscope.com

Notice: CommScope disclaims any liability or responsibility for the results of improper or unsafe installation, inspection, maintenance, or removal practices.  
 Aviso: CommScope no acepta ninguna obligación ni responsabilidad como resultado de prácticas incorrectas o peligrosas de instalación, inspección, mantenimiento o retiro.  
 Avis: CommScope décline toute responsabilité pour les conséquences de procédures d'installation, d'inspection, d'entretien ou de retrait incorrectes ou dangereuses.  
 Hinweis: CommScope lehnt jede Haftung oder Verantwortung für Schäden ab, die aufgrund unsachgemäßer Installation, Überprüfung, Wartung oder Demontage auftreten.  
 Atenção: A CommScope abdica do direito de toda responsabilidade pelos resultados de práticas inadequadas e sem segurança de instalação, inspeção, manutenção ou remoção.  
 Avvertenza: CommScope declina eventuali responsabilità derivanti dall'esecuzione di procedure di installazione, ispezione, manutenzione e smontaggio improprie o poco sicure.  
 注意: CommScope 公司申明對於不恰當或不安全的安裝、檢驗、維修或拆卸操作所導致的後果不負責任 何義務和責任

