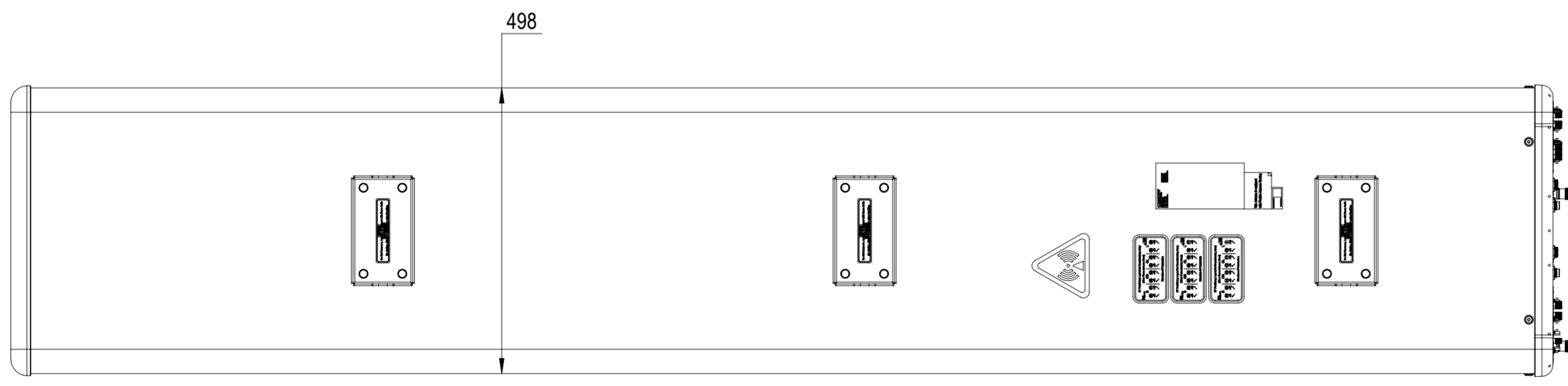
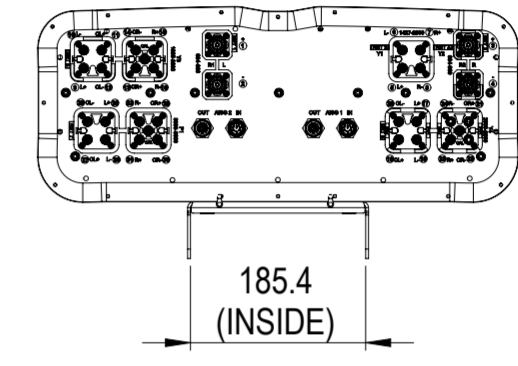
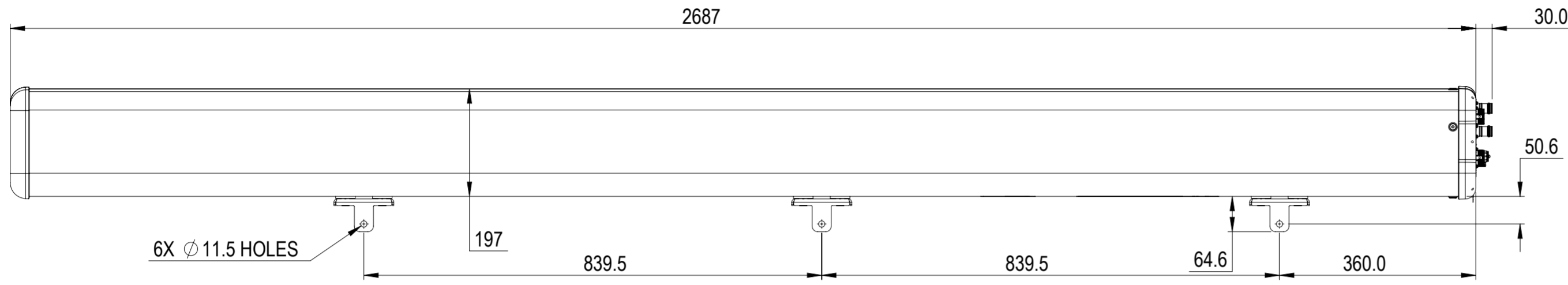


REVISIONS			
REV.	DESCRIPTION	DATE	APPROVED
A	ECR 40165417CMO: RELEASE TO PRODUCTION PER EAO 611902.	14AUG23 SHL	YYC/RLX



RRZZV4T4S4-6590DR7

**COMMSCOPE, INC. OF NORTH CAROLINA**

TOLERANCES		SAP MATERIAL MASTER	
0 PLACE	X ±	2 PLACE	.XX ±
1 PLACE	.X ±	ANGLES	±
FINISH		MATERIAL	
<small>UNLESS OTHERWISE SPECIFIED DIMENSIONS ARE IN MILLIMETERS INTERPRET PER ISO STANDARDS HANDBOOK TECHNICAL DRAWINGS VOLUMES 1 &amp; 2, THIRD EDITION (2002)</small>		NAME	DATE
		CE HSANG	14AUG23
		RW HSANG	08/14/2023
		AD LR1057	08/15/2023
		RE QW1003	08/15/2023
ECN 40165417CMO		SCALE	DOCUMENT NO.
		1:8	RRZZV4T4S4-6590DR7-L
SIZE	Auth Group	BSA	MODEL
A2			VERSION STATUS REVISION
			00 RE A
			VERSION STATUS REVISION
			00 RE A
			DRAWING SHEET
			1 OF 1