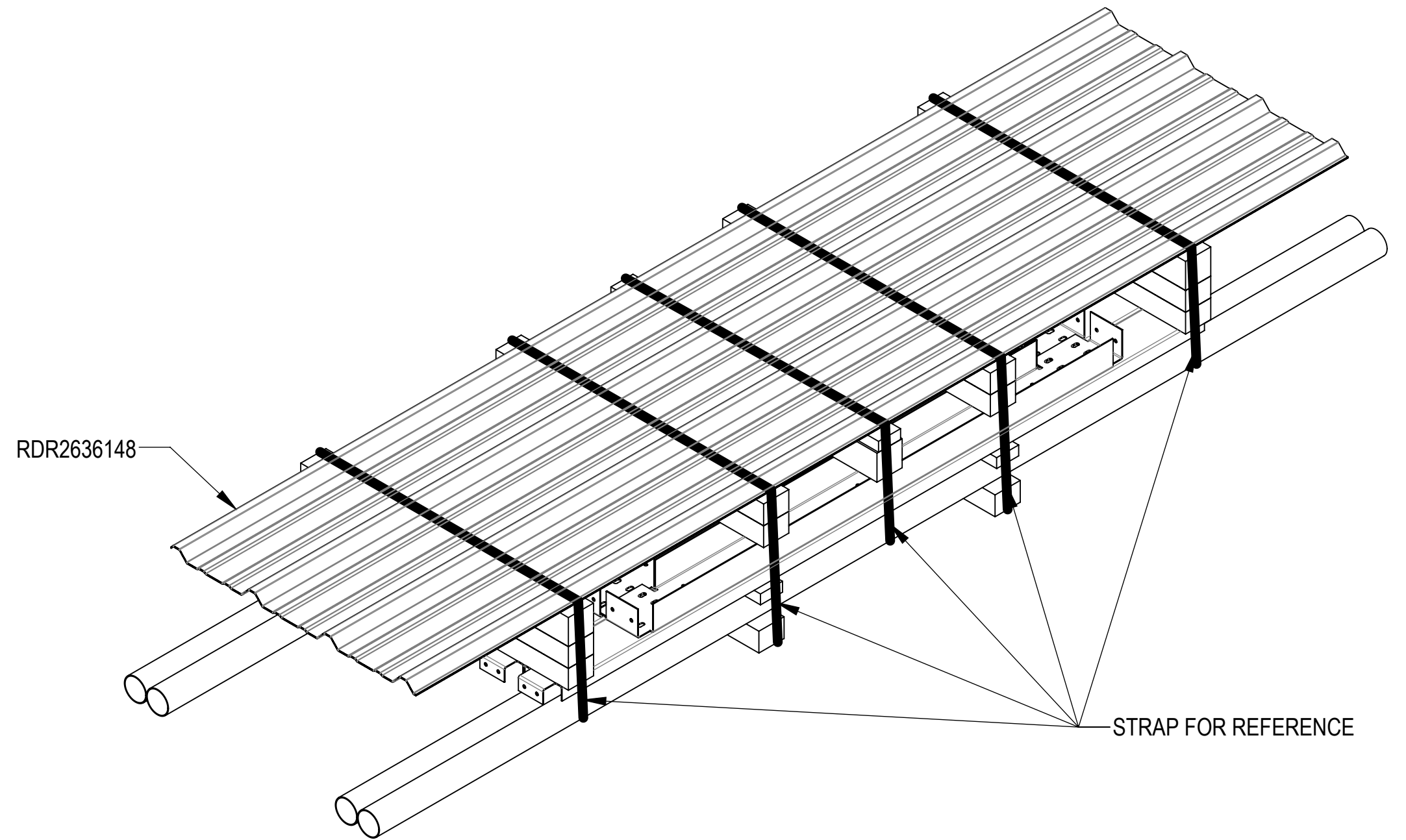
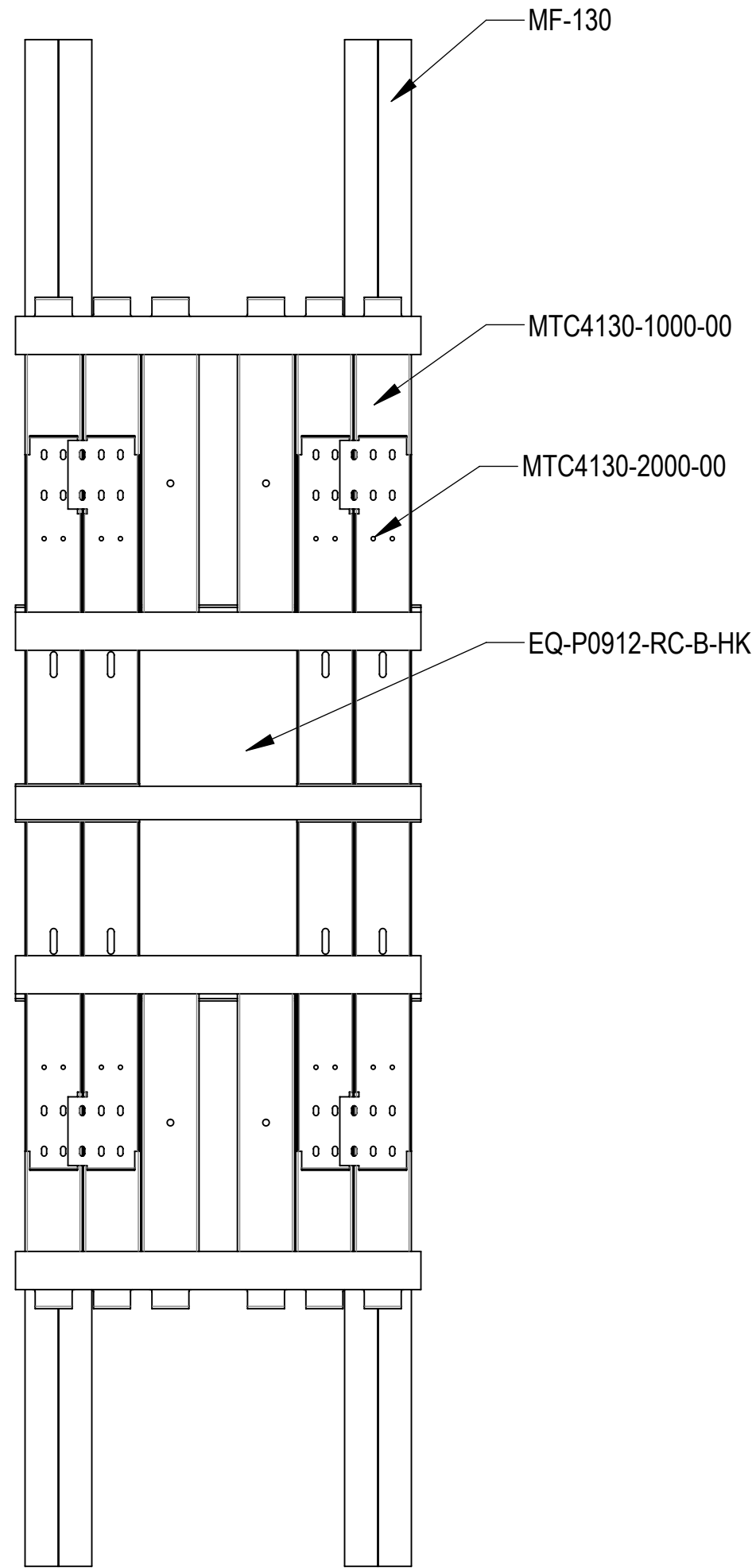


- 1.0 GENERAL NOTES
  - 1.1 ALL METRIC DIMENSIONS ARE IN BRACKETS [X. X]
  - 1.2 FOR PATENT INFO: <https://www.cs-pat.com>
- 2.0 DESIGN NOTES
  - 2.1 ANY HAZARDS OR OBSTRUCTIONS TO THE CLIMBING FACILITY AND SAFETY CLIMB MUST BE IDENTIFIED PRIOR TO INSTALLING THE APPURTENANCE. ADDITIONAL PRODUCTS MAY BE REQUIRED TO MAINTAIN THE INTEGRITY OF THE SAFETY CLIMB. DURING INSTALLATION, TEMPORARY AND/OR PERMANENT PRECAUTIONARY MEASURES SHOULD BE TAKEN TO PRESERVE THE CLIMBING FACILITY AND/OR SAFETY CLIMB.
- 3.0 MANUFACTURING/SPECIAL REQUIREMENTS
  - 3.1 TIGHTEN ALL BOLTS SECURING FLAT PLATES BY THE TURN-OF-NUT METHOD. TIGHTEN ALL U-BOLTS USING TURN-OF-NUT METHOD WITH ATTENTION TO LEAVE EQUAL DISTANCE AND EQUAL FORCE ON EACH LEG OF THE U-BOLT.
- 4.0 TEST
- 5.0 PACKAGING
  - 5.1 PACKAGING SHALL MEET COMMSCOPE REQUIREMENTS PER DOCUMENT IS-PL-3005
  - 5.2 PRINTED DOCUMENT TO BE PLACED INSIDE POLYBAG AND THEN IN SHIPPING CONTAINER
  - 5.3 EXTRA HARDWARE MAYBE SUPPLIED, BAGGED AND SHIPPED

REVISIONS			
REV.	DESCRIPTION	DATE	APPROVED
A	INITIAL RELEASE	JL1183 15JUN23	YW1047 40173559CMO
B	GB-03145FT WAS GB-03145; GB-05205FT WAS GB-05205; GB-04145 WAS GB-04165;	JL1183 30AUG23	YW1047 40178172CMO
C	UPDATED PACKING VIEW; GB-03105 WAS GB-03145FT	JL1183 12SEP23	YW1047 40179133CMO
D	ADDED MTC4130-9000-00(ITEM 18); GB-04145(ITEM 10) QTY 20 WAS 4; GWF-04(ITEM 13) QTY 36 WAS 4	JL1183 01NOV24	YW1047 40208029CMO

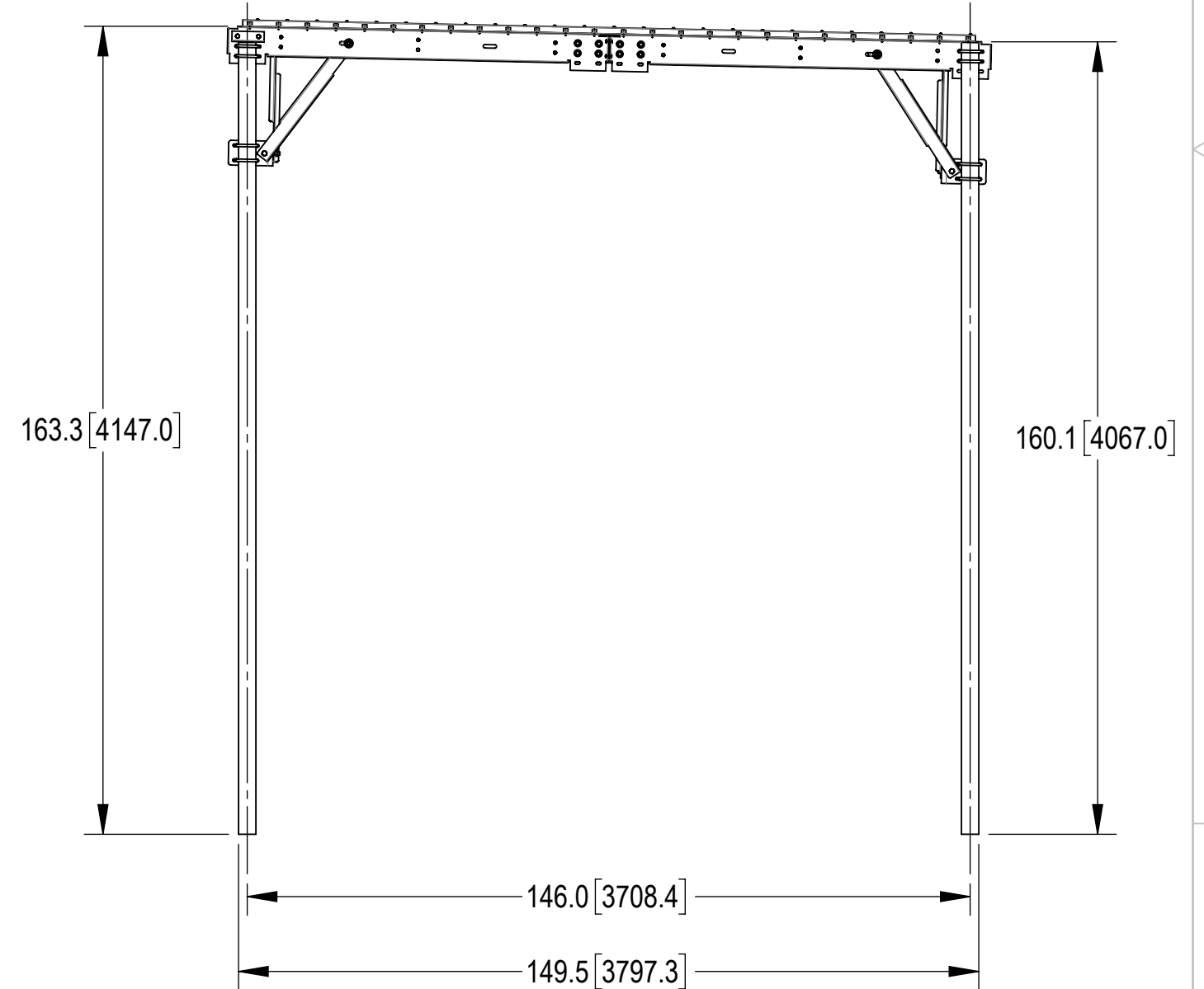
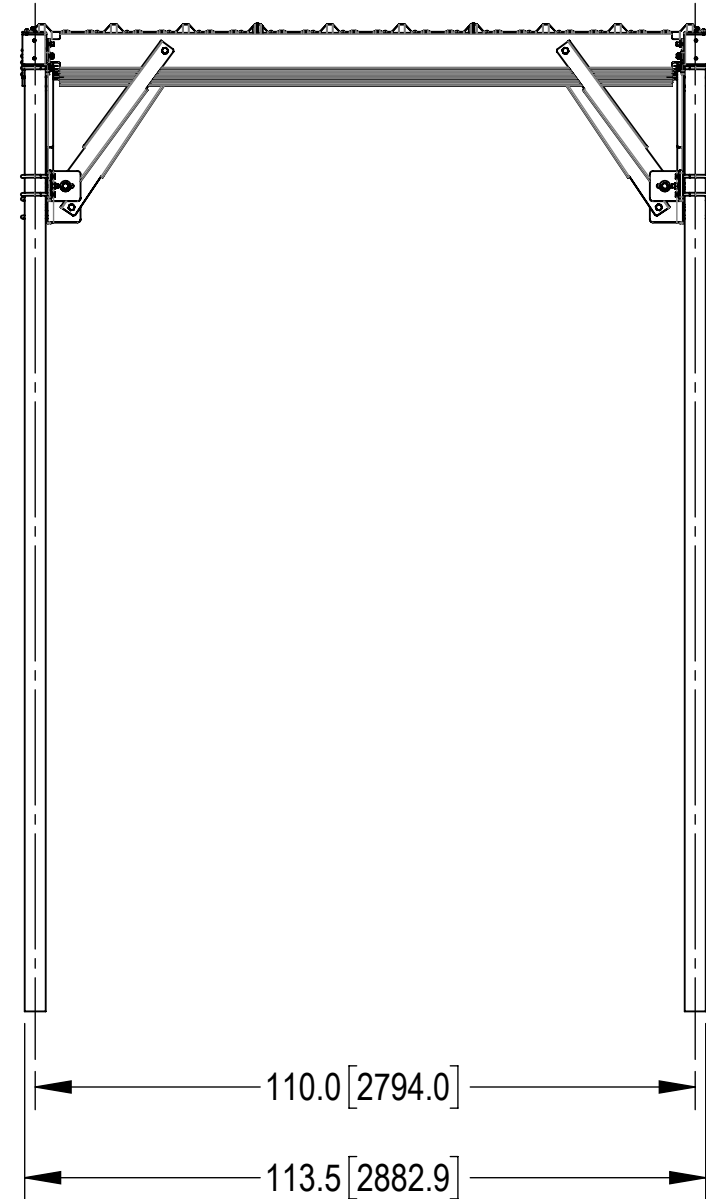
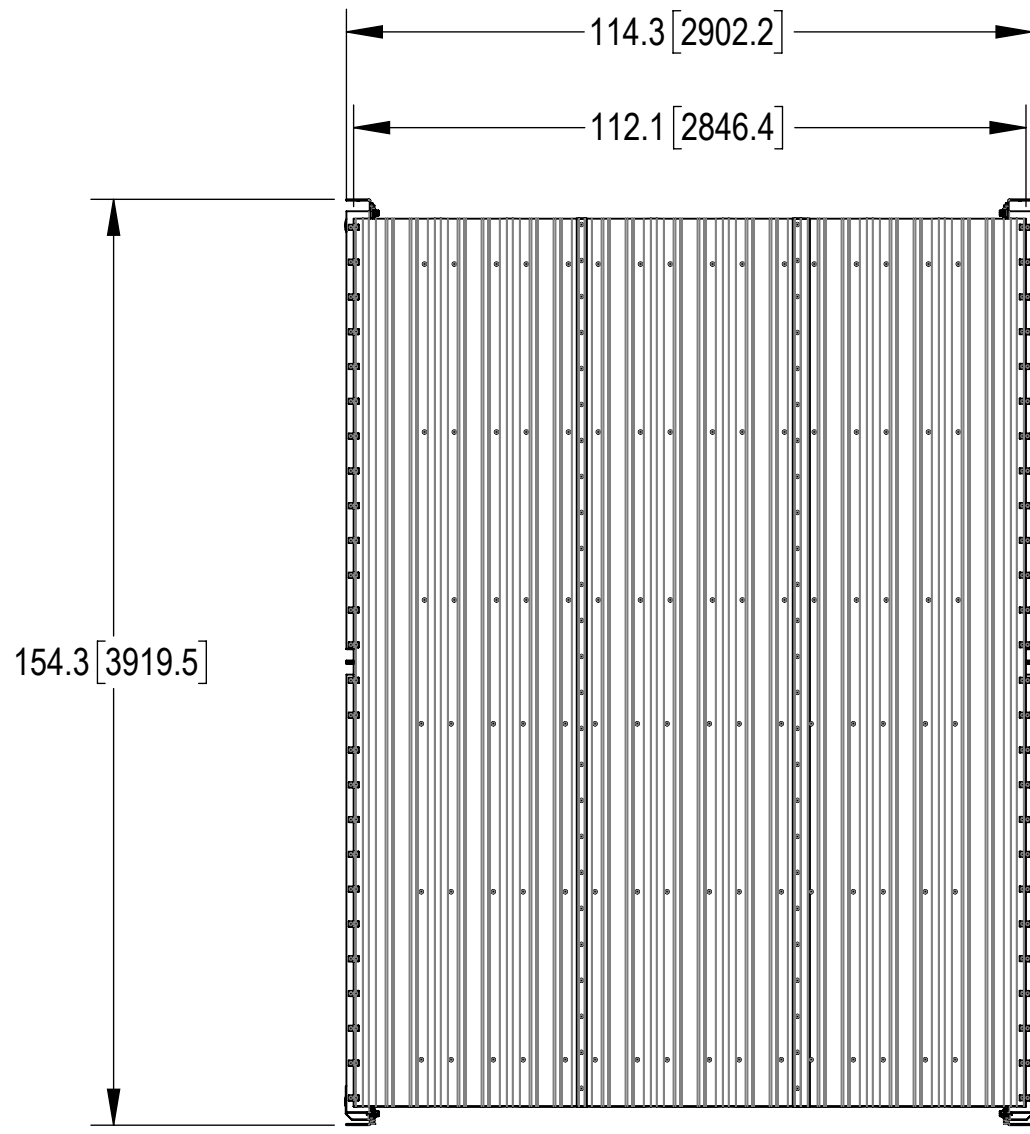
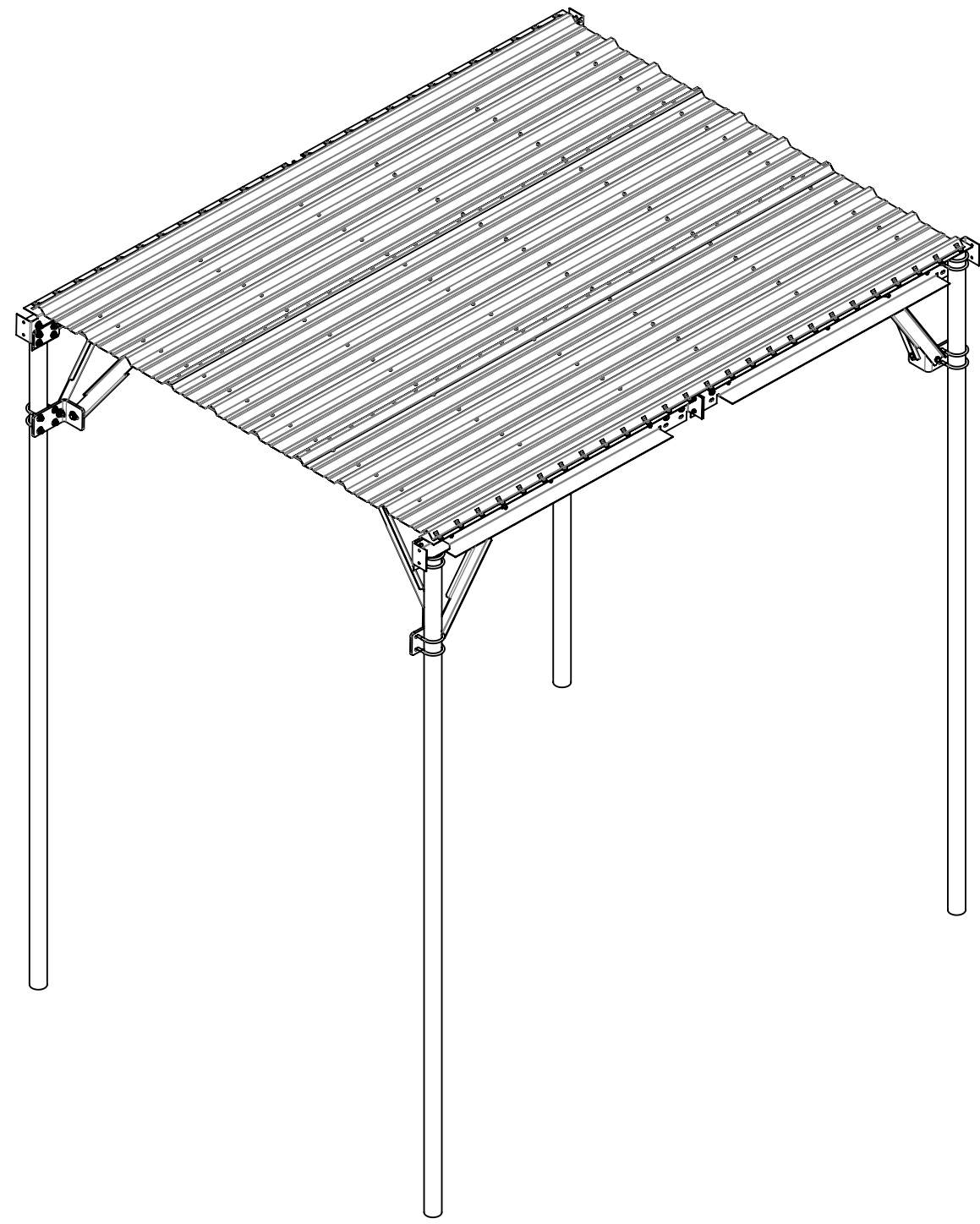


HIDDEN DECKING FOR CLARITY

DENSITY	858.14	lbs/in <sup>3</sup>
MASS	3020.61	lbs
VOLUME	78259.22	in <sup>3</sup>
SURFACE AREA		in <sup>2</sup>
HEIGHT	154.3[3919.5]	
LENGTH	163.3[4147.0]	
WIDTH	114.3[2902.2]	

**COMMSCOPE, INC. OF NORTH CAROLINA**

TOLERANCES		SAP MATERIAL MASTER	
1 PLACE .X[X] ± 0.2[6.3]	3 PLACE .XXX[X] ± 0.060[1.5]	<b>EQ-P0912-RC-B</b>	
2 PLACE .XX[X] ± 0.12[3.0]	ANGLES ± 2°		
FINISH		MATERIAL	
<b>CANOPY RAIN 9X12 ROUNDPIPE DIRECT BURIED</b>			
UNLESS OTHERWISE SPECIFIED DIMENSIONS ARE IN INCHES INTERPRET PER ANSI Y 14.5M-1994		SCALE <b>2:1</b>	DOCUMENT NO. <b>EQ-P0912-RC-B</b>
NAME	DATE	TITLE	
CE JL1183	15JUN23		
RW JL1183	11/01/2024		
AD YW1047	11/03/2024		
RE JL1183	11/12/2024		
ECN 40208029CMO			
SIZE	Auth Group	INSL	MODEL
<b>C</b>			
VERSION	STATUS	REVISION	DRAWING
03	RE	D	03 RE D
			SHEET 1 OF 5



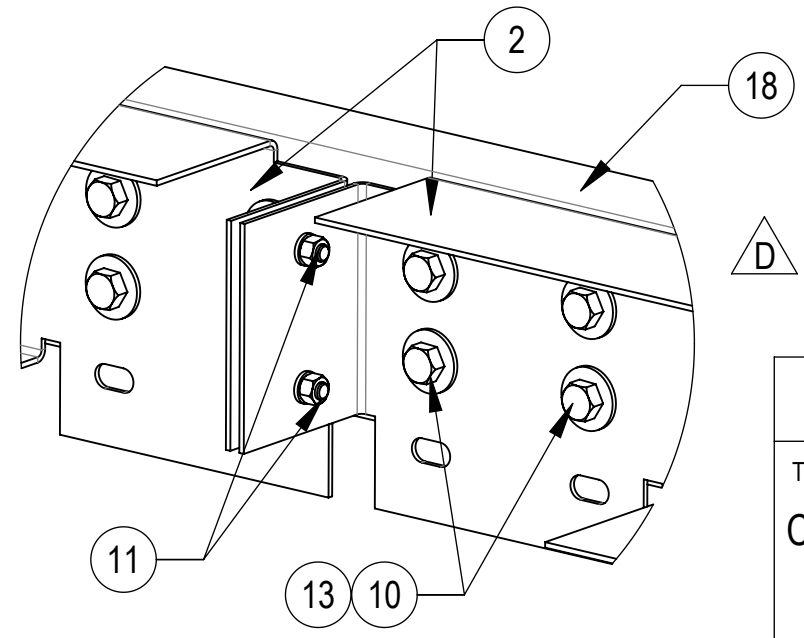
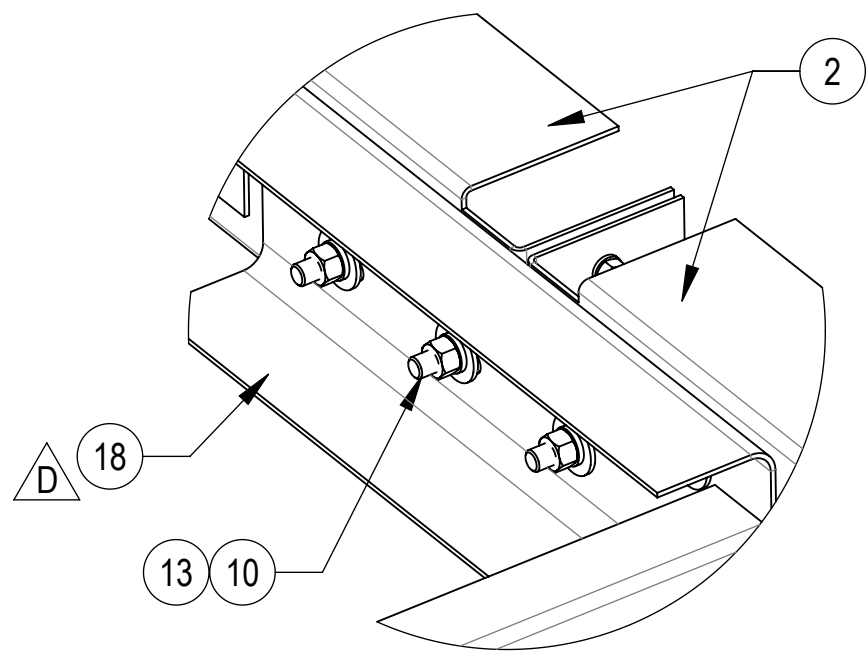
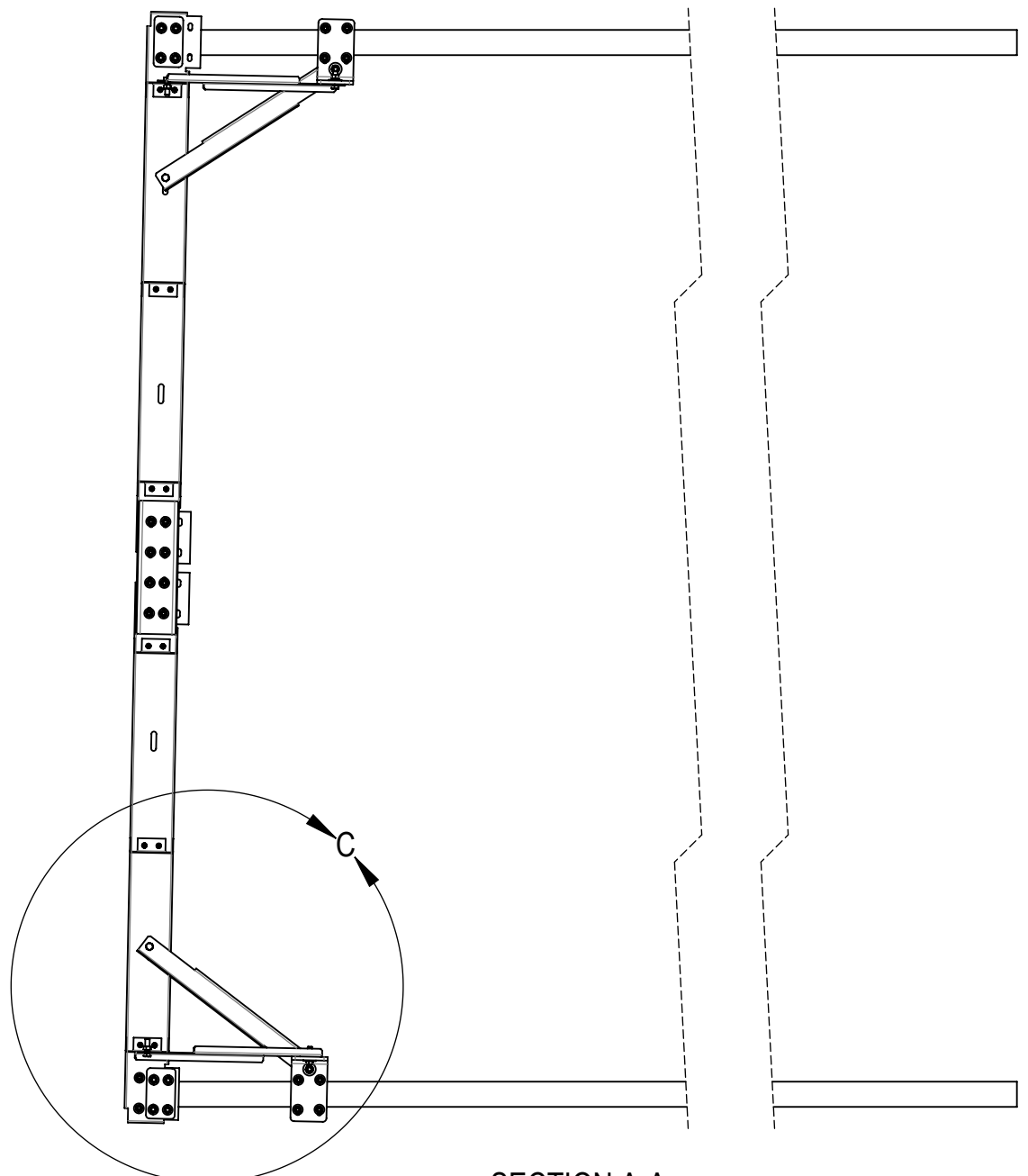
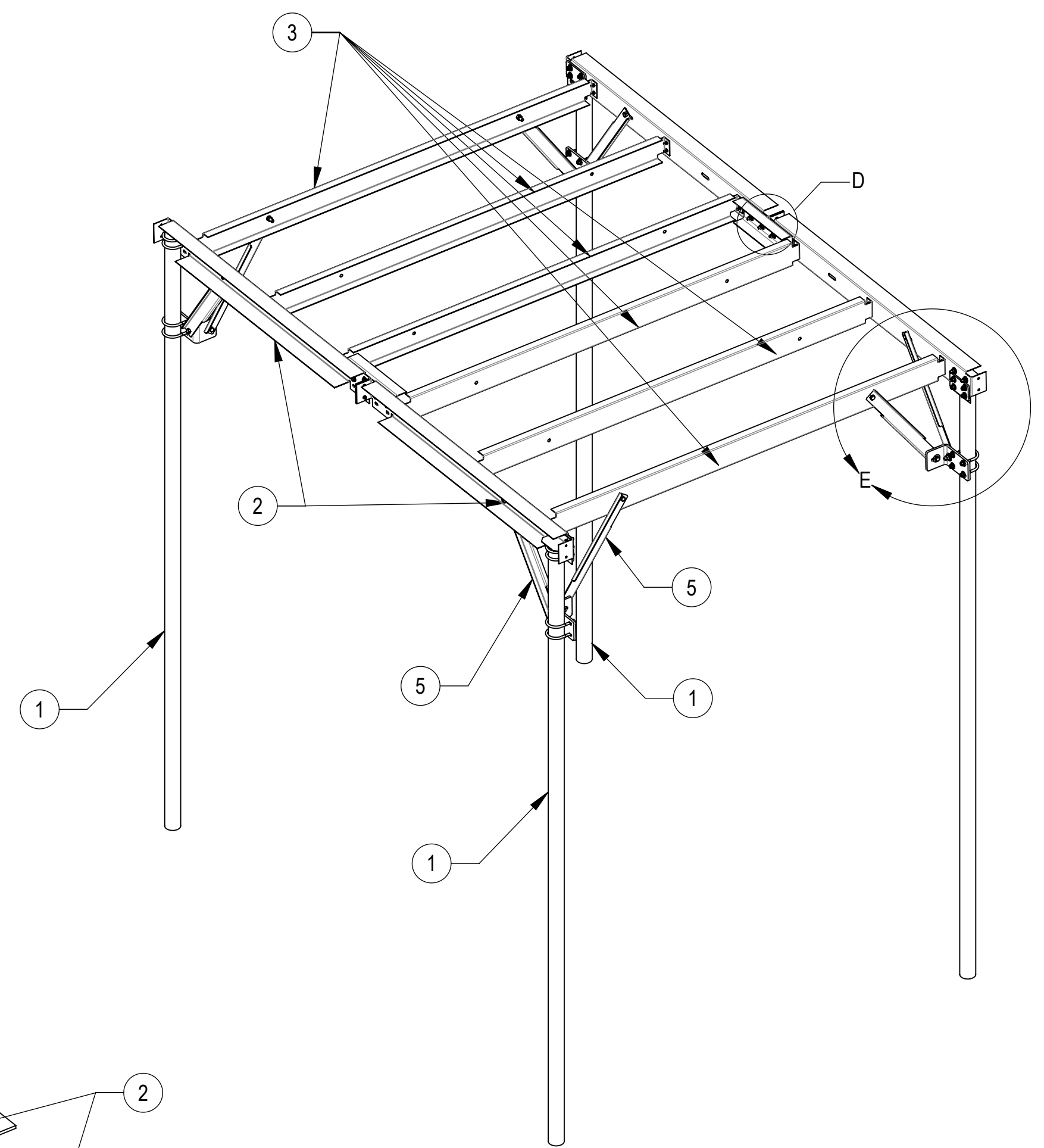
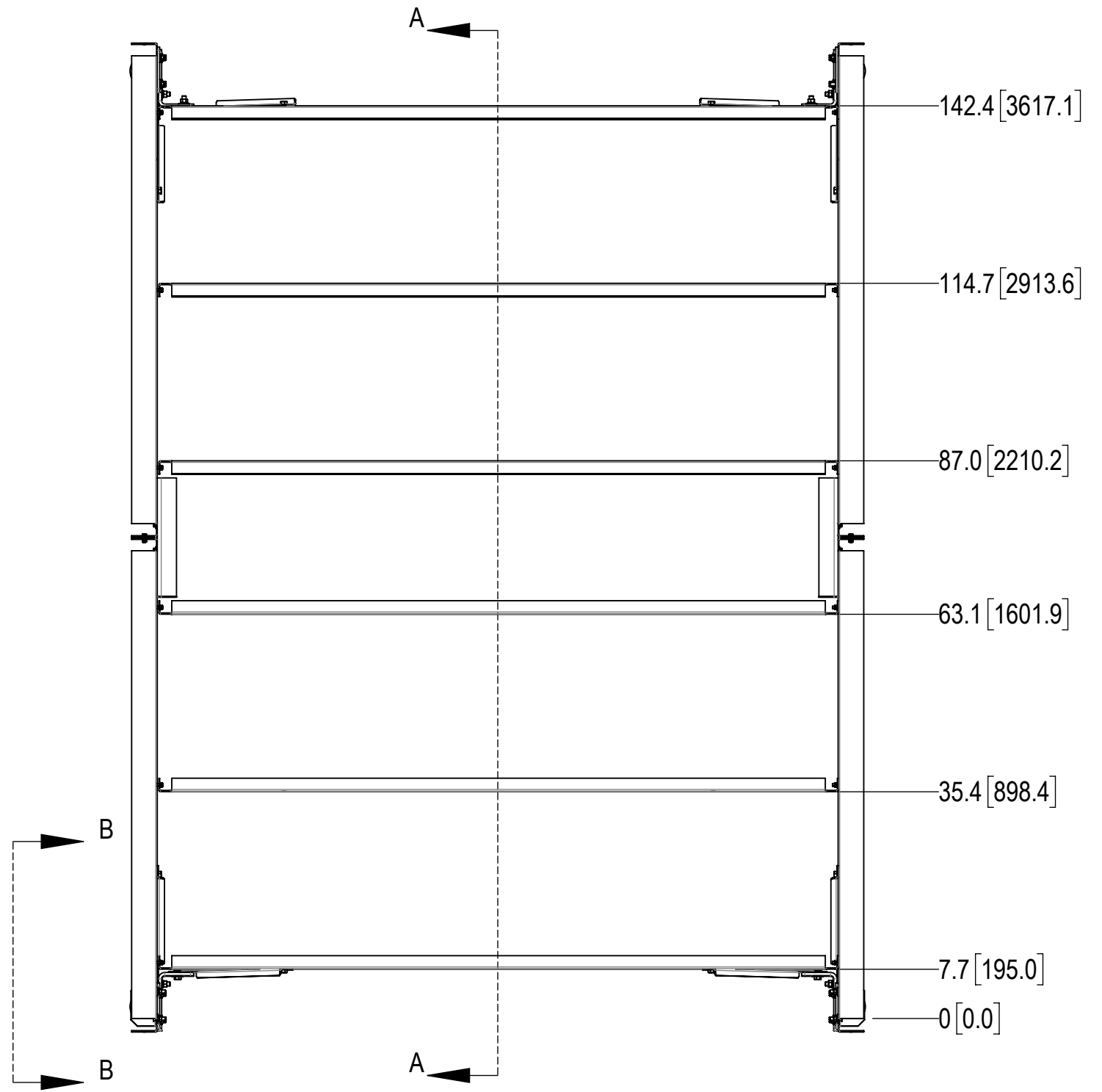
COMPONENT PART NUMBERS PROVIDED FOR ASSEMBLY PURPOSES;  
INDIVIDUAL COMPONENTS MAY BE SHIPPED AS PARTS WITHIN AN INCLUDED KIT.

ITEM NO.	PART NUMBER	DESCRIPTION	QTY.	WEIGHT	NOTE NO.
1	MF-130	3.5" O.D. X 13'-4" DIRECT BURIAL PIPE COLUMN	4	57.97 LBS	
2	MTC4130-1000-00	OUTER CHANNEL, ROOF SUPPORT	4	34.54 LBS	
3	MTC4130-2000-00	CANOPY CENTER CHANNEL	6	34.26 LBS	
4	RDR2636148	ROOF DECKING PBR 26 GA 36" X 148"	3	43.72 LBS	
5	MTC4130-3000-00	CANOPY BRACE	8	6.52 LBS	
6	MTC4130-4000-00	CANOPY BRACE ADAPTER	4	9.16 LBS	
7	MTC4130-5000-00	PLATE, CANOPY RAIN	4	2.76 LBS	
8	MTC4130-6000-00	HEIGHT ADJUSTMENT BRACKET	2	1.26 LBS	
9	GUB-4355	1/2" X 3-5/8" X 5" GALV U-BOLT	16	0.71 LBS	
10	GB-04145	1/2" X 1-1/2" GALV BOLT KIT	20	0.13 LBS	△
11	GB-03105	3/8" X 1" GALV BOLT KIT	28	0.05 LBS	
12	GB-05205FT	5/8" X 2" GALV BOLT KIT	16	0.26 LBS	
13	GWF-04	1/2" GALV FLAT WASHER	36	0.04 LBS	△
14	GWF-05	5/8" GALV FLAT WASHER, 1.70D	12	0.06 LBS	
15	MTC3799C26	CLIP, RDR PANEL	52	0.05 LBS	
16	MTC371531	1/4-14X7/8 SELF DRILLING HEX HEAD SCREW	102	0.02 LBS	
17	TS1275	TEK SCREW #12 X 3/4, WITH NEOPRENE WASHER	148	0.02 LBS	
18	MTC4130-9000-00	OUTER CONNECTION CHANNEL	2	6.71 LBS	△

COMMSCOPE, INC. OF NORTH CAROLINA				
TITLE CANOPY RAIN 9X12 ROUNDPIPE DIRECT BURIED				
SIZE <b>C</b>	SCALE <b>1:32</b>	DOCUMENT NO. <b>EQ-P0912-RC-B</b>		
		DRAWING		SHEET 2 OF 5
		VERSION 03	STATUS RE	

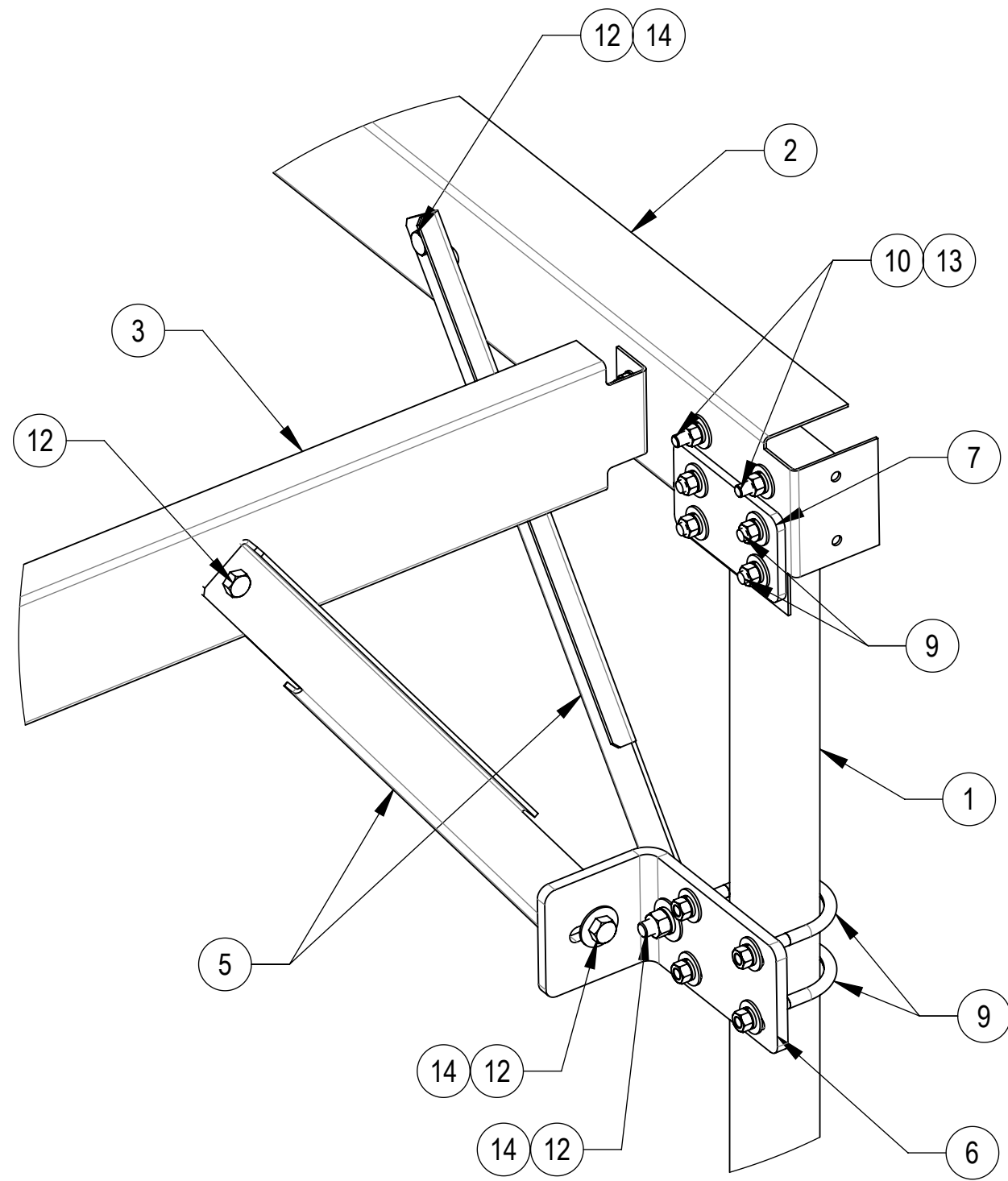
© 2023 CommScope, Inc. Confidential

# HIDDEN ROOF DECKING FOR CLARITY

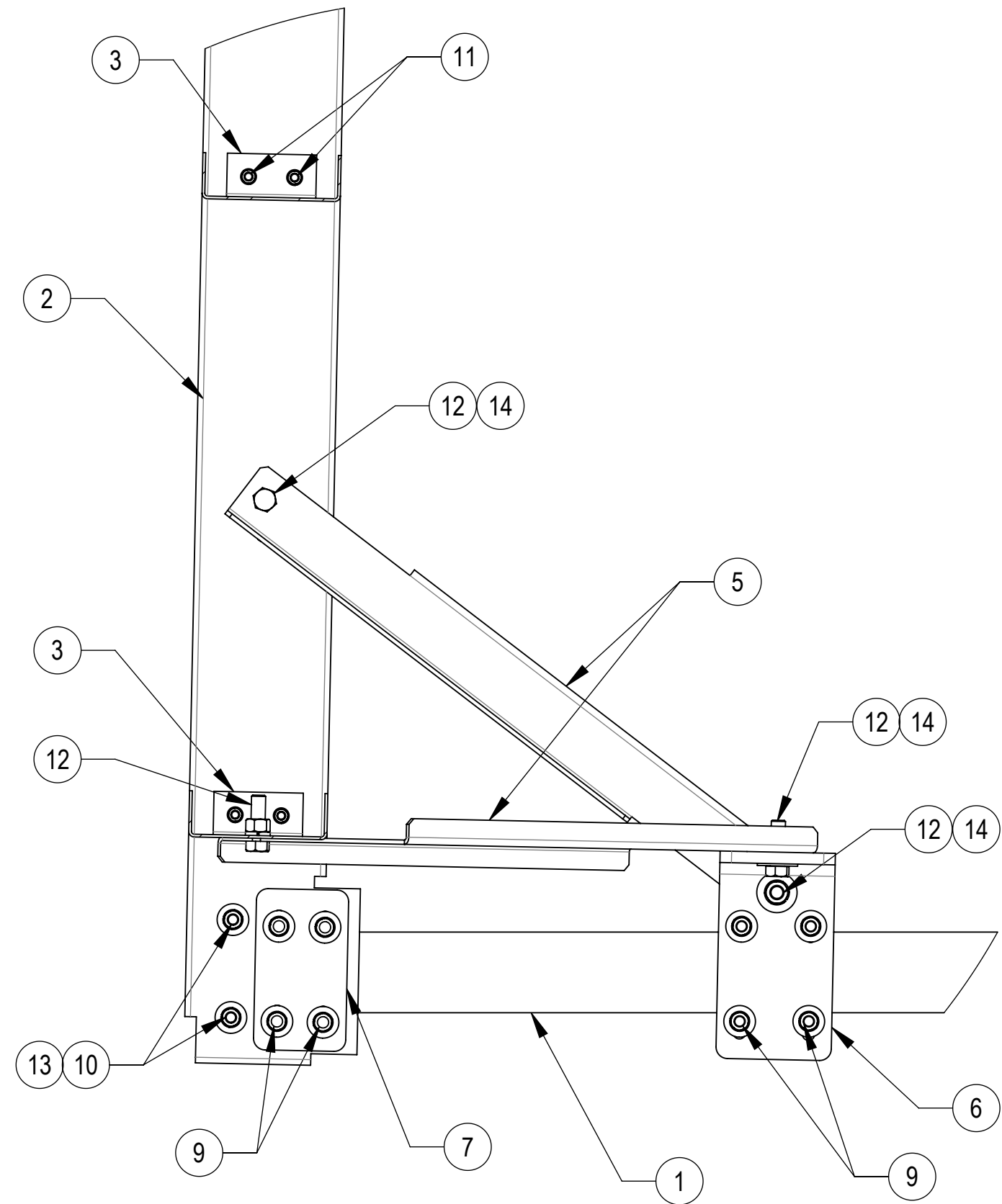


© 2023 CommScope, Inc. Confidential

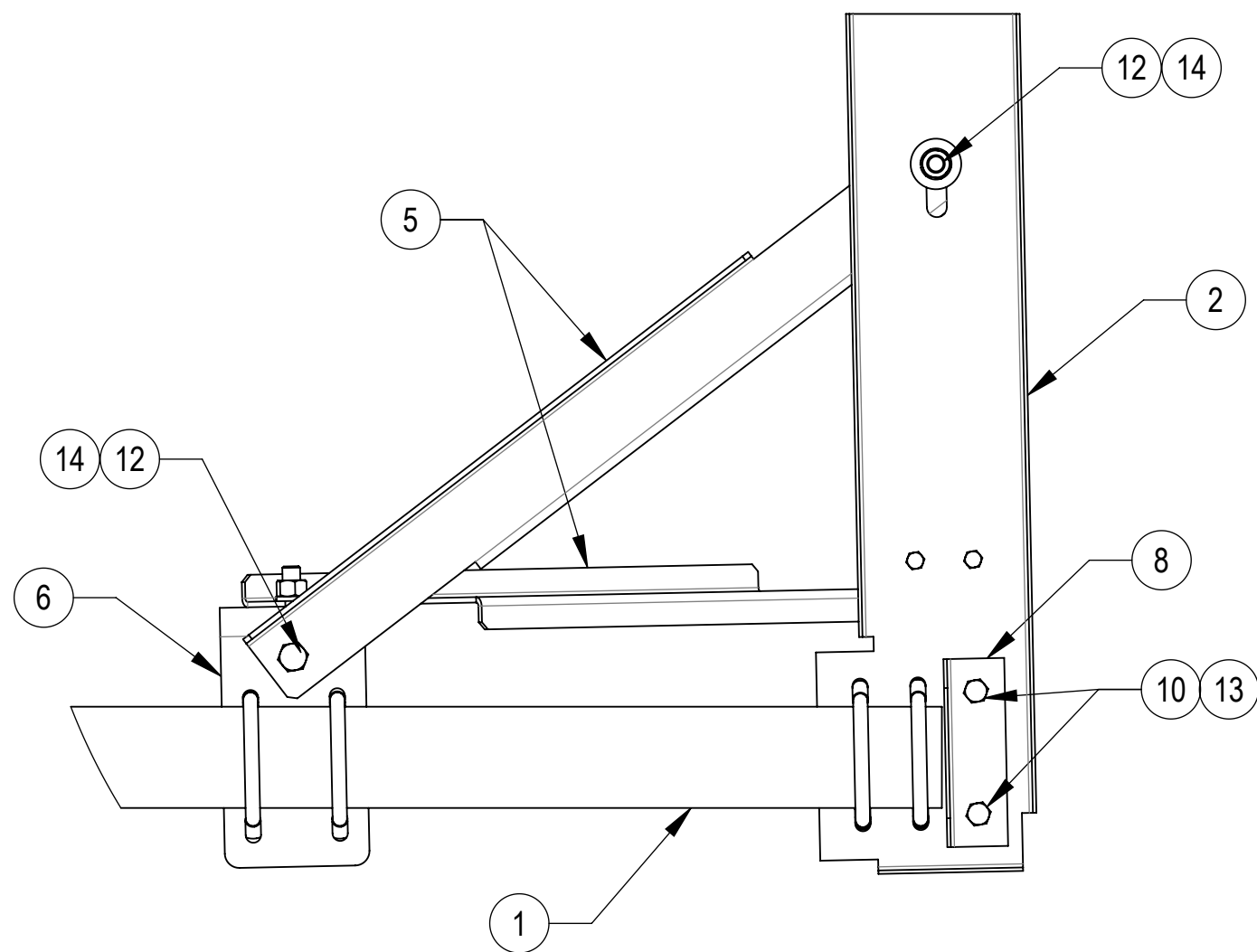
COMMSCOPE, INC. OF NORTH CAROLINA				
TITLE CANOPY RAIN 9X12 ROUNDPIPE DIRECT BURIED				
SIZE <b>C</b>	SCALE <b>1:32</b>	DOCUMENT NO. EQ-P0912-RC-B		
		DRAWING		SHEET
		VERSION	STATUS	REVISION
		03	RE	D
				3 OF 5



DETAIL E  
SCALE 1:6

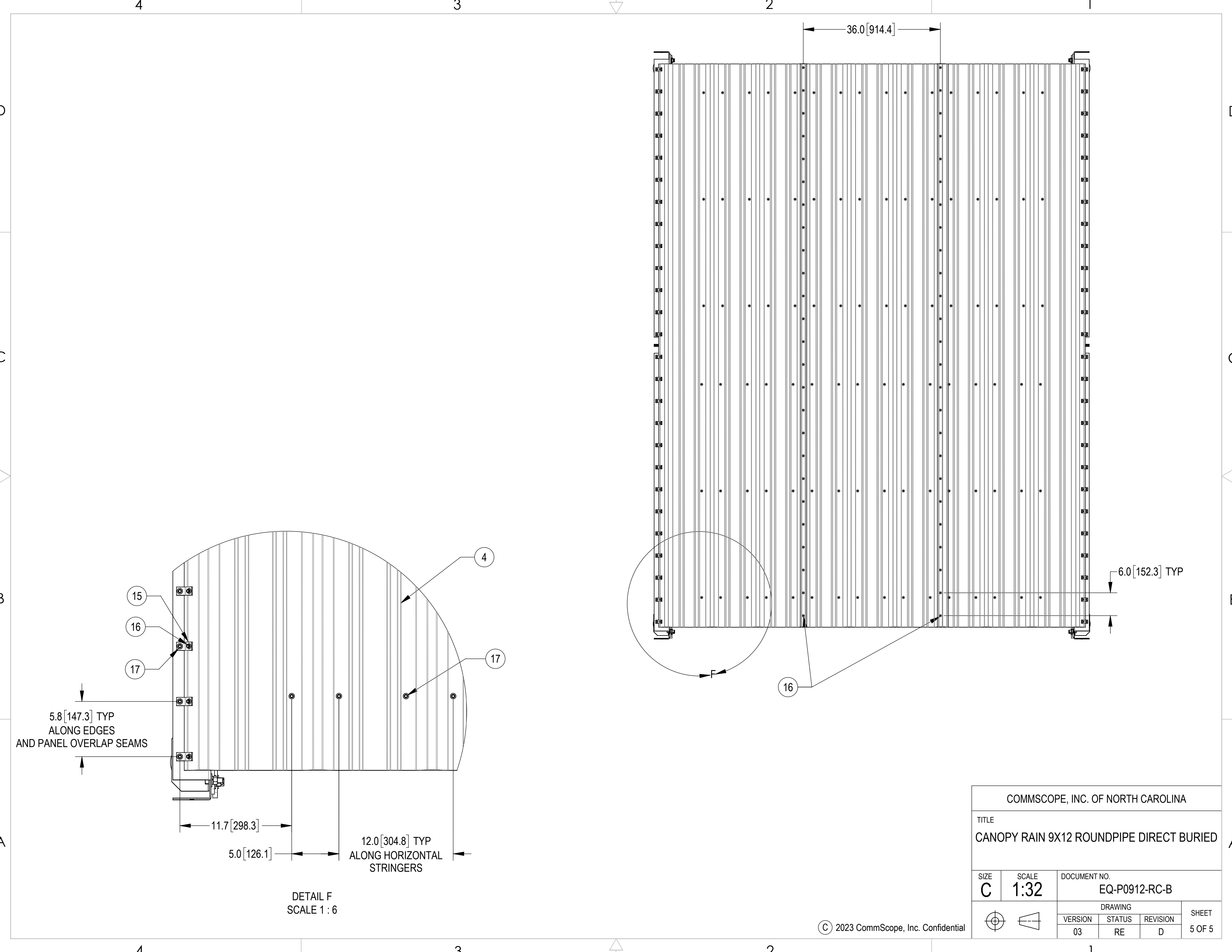


DETAIL C  
SCALE 1:6



SECTION B-B  
SCALE 1:6

COMMSCOPE, INC. OF NORTH CAROLINA					
TITLE CANOPY RAIN 9X12 ROUNDPIPE DIRECT BURIED					
SIZE <b>C</b>	SCALE <b>1:32</b>	DOCUMENT NO. EQ-P0912-RC-B			
		DRAWING			SHEET 4 OF 5
		VERSION 03	STATUS RE	REVISION D	



4

3

2

1

D

D

C

C

B

B

A

A

36.0 [914.4]

6.0 [152.3] TYP

15

16

17

4

17

16

5.8 [147.3] TYP  
ALONG EDGES  
AND PANEL OVERLAP SEAMS

11.7 [298.3]

5.0 [126.1]

12.0 [304.8] TYP  
ALONG HORIZONTAL  
STRINGERS

DETAIL F  
SCALE 1 : 6

COMMSCOPE, INC. OF NORTH CAROLINA				
TITLE CANOPY RAIN 9X12 ROUNDPIPE DIRECT BURIED				
SIZE <b>C</b>	SCALE <b>1:32</b>	DOCUMENT NO. EQ-P0912-RC-B		
		DRAWING		SHEET
		VERSION	STATUS	REVISION
		03	RE	D
				5 OF 5

© 2023 CommScope, Inc. Confidential

4

3

2

1