

Hand Cable Preparation Tools – HPT Series

for FXL and AVA Coaxial Cables

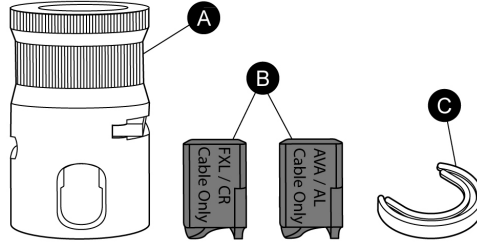
Bulletin 7580732 Rev. D | Page 1 of 2

POWERED BY



Andrew Institute offers installation training.

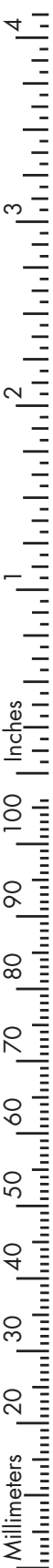
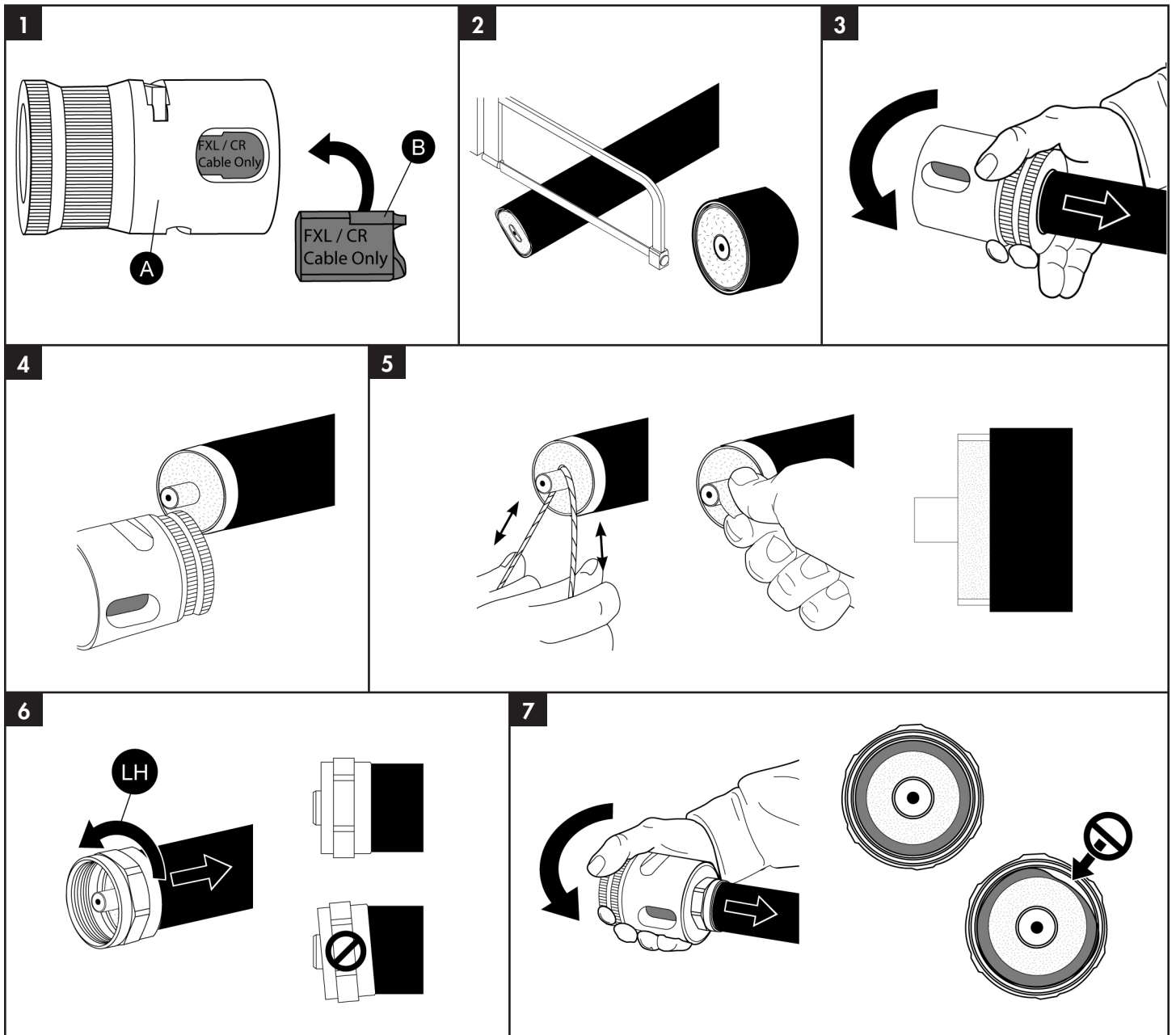
Preparation Tool	
Cable Size	Part Number
1/2"	12-HPT
7/8"	78-HPT



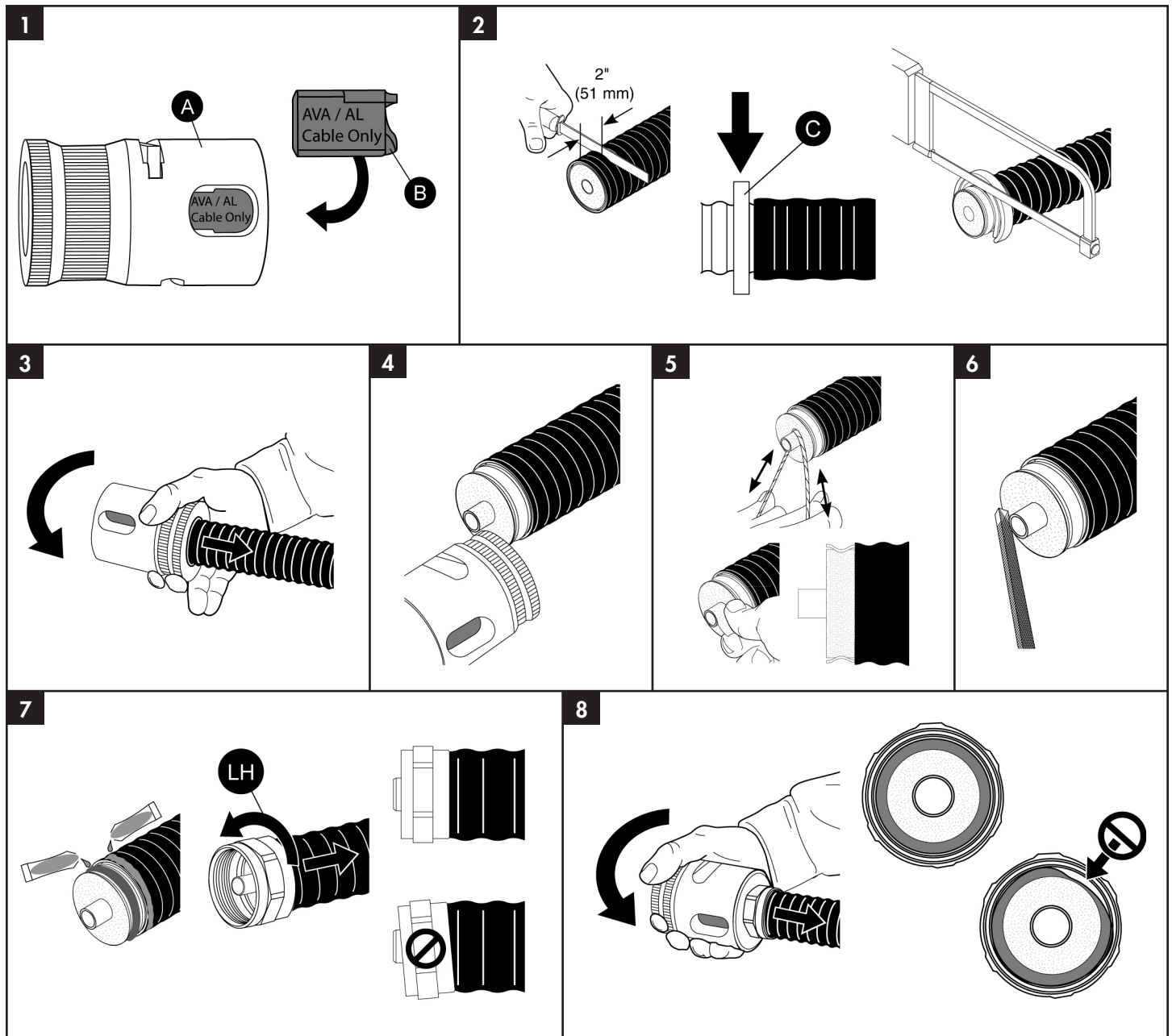
Replacement Saw Guides for corrugated cables		
Cable	Part Number	Description
AVA5-50FX, AVA5-50	A5-SG	Saw guide for cable, kit of 10

For Smoothwall Cables: FXL 540, FXL 780 and EZFit® Series Connectors

CAUTION – Edges of blades protruding past body of tool are sharp and may cause injury.



For Corrugated Cables: AVA5-50, AVA5-50FX and EZFit® Series Connectors



CommScope

1100 CommScope Place SE P.O. Box 339, Hickory, NC 28603-0339
 (828) 324-2200 (800) 982-1708
www.commscope.com/andrew

Customer Service 24 hours

North America: +1-800-255-1479 (toll free)
 Any country: +1-779-435-6500
 email: acicustomersupportcenter@commscope.com

Notice: CommScope disclaims any liability or responsibility for the results of improper or unsafe installation, inspection, maintenance, or removal practices.

Aviso: CommScope no acepta ninguna obligación ni responsabilidad como resultado de prácticas incorrectas o peligrosas de instalación, inspección, mantenimiento o retiro.

Avis: CommScope décline toute responsabilité pour les conséquences de procédures d'installation, d'inspection, d'entretien ou de retrait incorrectes ou dangereuses.

Hinweis: CommScope lehnt jede Haftung oder Verantwortung für Schäden ab, die aufgrund unsachgemäßer Installation, Überprüfung, Wartung oder Demontage auftreten.

Atenção: A CommScope abdica do direito de toda responsabilidade pelos resultados de práticas inadequadas e sem segurança de instalação, inspeção, manutenção ou remoção.

Avvertenza: CommScope declina eventuali responsabilità derivanti dall'esecuzione di procedure di installazione, ispezione, manutenzione e smontaggio improprie o poco sicure.

注意: CommScope 公司申明對於不恰當或不安全的安裝、檢驗、維修或拆卸操作所導致的後果不負任何義務和責任