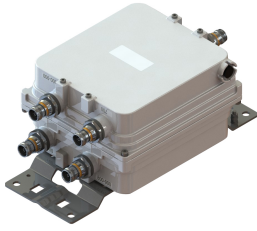


E14F07P08



Twin Diplexer, 703-788/791-960 MHz, DC Pass on All port, 4.3-10 connectors

- Industry leading PIM performance
- Designed for network Modernization, introduction of LTE700 on existing site
- Twin configuration
- New 4.3-10 connectors for improved PIM performance and size reduction
- DC/AISG passing on all ports

Product Classification

Product Type Diplexer

General Specifications

Color Gray

Modularity 2-Twin

Mounting Pole | Wall

Mounting Pipe Hardware Band clamps (2)

RF Connector Interface 4.3-10 Female

RF Connector Interface Body Style Long neck

Dimensions

Height 220 mm | 8.661 in

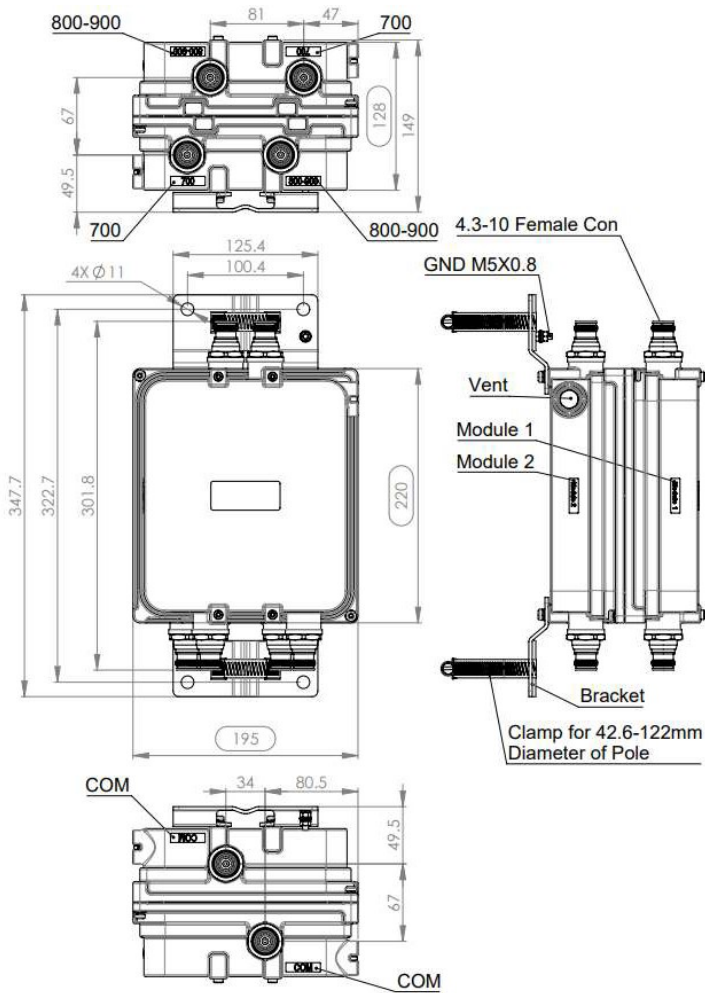
Width 195 mm | 7.677 in

Depth 128 mm | 5.039 in

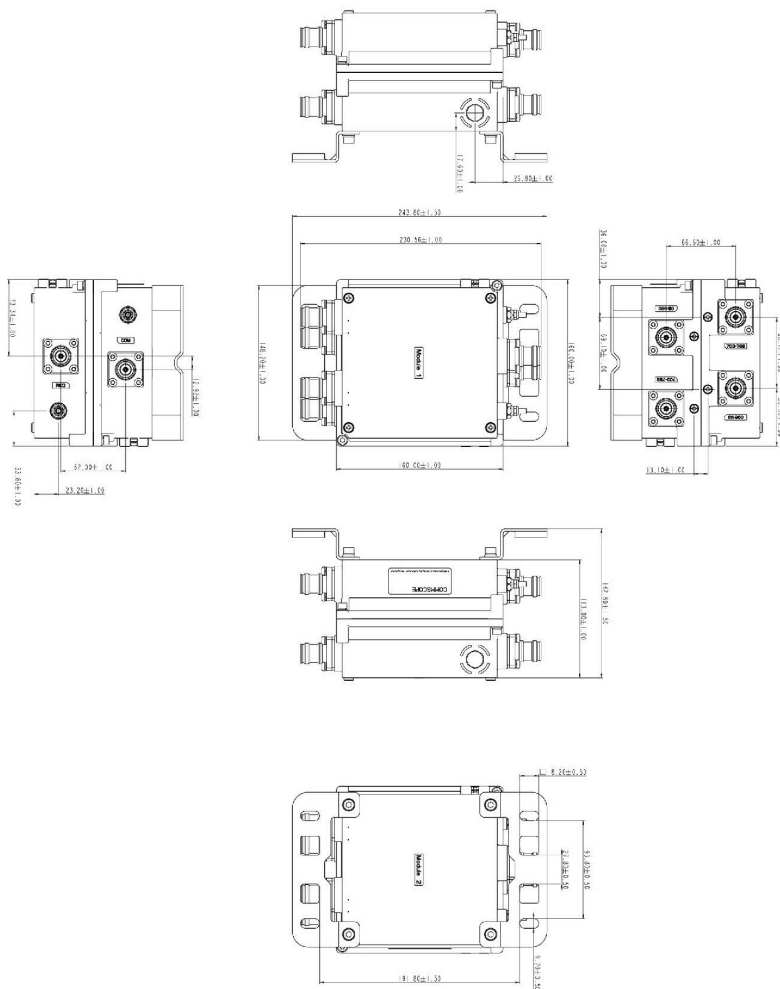
Mounting Pipe Diameter Range 42.6–122 mm

Outline Drawing

E14F07P08



E14F07P08



Electrical Specifications

Impedance	50 ohm
License Band, Band Pass	APT 700 CEL 900 EDD 800

Electrical Specifications, dc Power/Alarm

dc/AISG Pass-through Method	Auto sensing
dc/AISG Pass-through Path	Auto sensing circuitry detects dc/AISG signal presence and selects path
dc/AISG Pass-through, combiner	Autosensing
dc/AISG Pass-through, demultiplexer	Autosensing
Lightning Surge Current	10 kA
Lightning Surge Current Waveform	8/20 waveform

E14F07P08

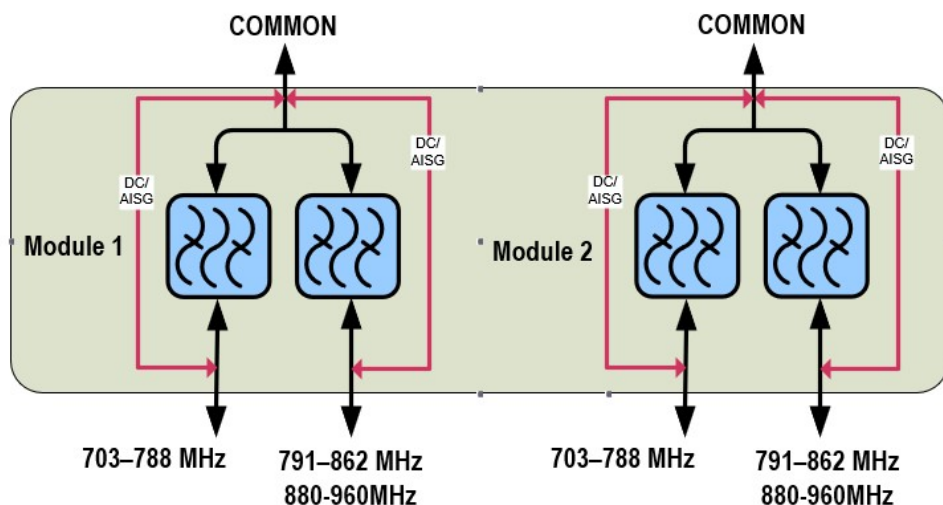
Electrical Specifications

Sub-module	1 2	1 2
Branch	1	2
Port Designation	703-788	791-862 & 880-960
License Band	APT 700, Band Pass	CEL 900, Band Pass EDD 800, Band Pass

Electrical Specifications, Band Pass

Frequency Range, MHz	703–788	791–862 880–960
Insertion Loss, typical, dB	0.2	0.2
Return Loss, typical, dB	20	20
Isolation, minimum, dB	40	40
Input Power, RMS, maximum, W	150	150
Input Power, PEP, maximum, W	1000	1000
3rd Order PIM, typical, dBc	-162	-162
3rd Order PIM Test Method	Two +43 dBm carriers	Two +43 dBm carriers

Block Diagram



Environmental Specifications

Operating Temperature	-40 °C to +65 °C (-40 °F to +149 °F)
Corrosion Test Method	IEC 60068-2-11, 30 days

E14F07P08

Environmental Test Method	ETSI EN 300 019-1-4
Ingress Protection Test Method	IEC 60529:2001, IP67

Packaging and Weights

Included	Mounting hardware
Volume	5.5 L
Weight, net	5.8 kg 12.787 lb
Weight, without mounting hardware	5.3 kg 11.684 lb

Regulatory Compliance/Certifications

Agency	Classification
ISO 9001:2015	Designed, manufactured and/or distributed under this quality management system

