

4

3

2

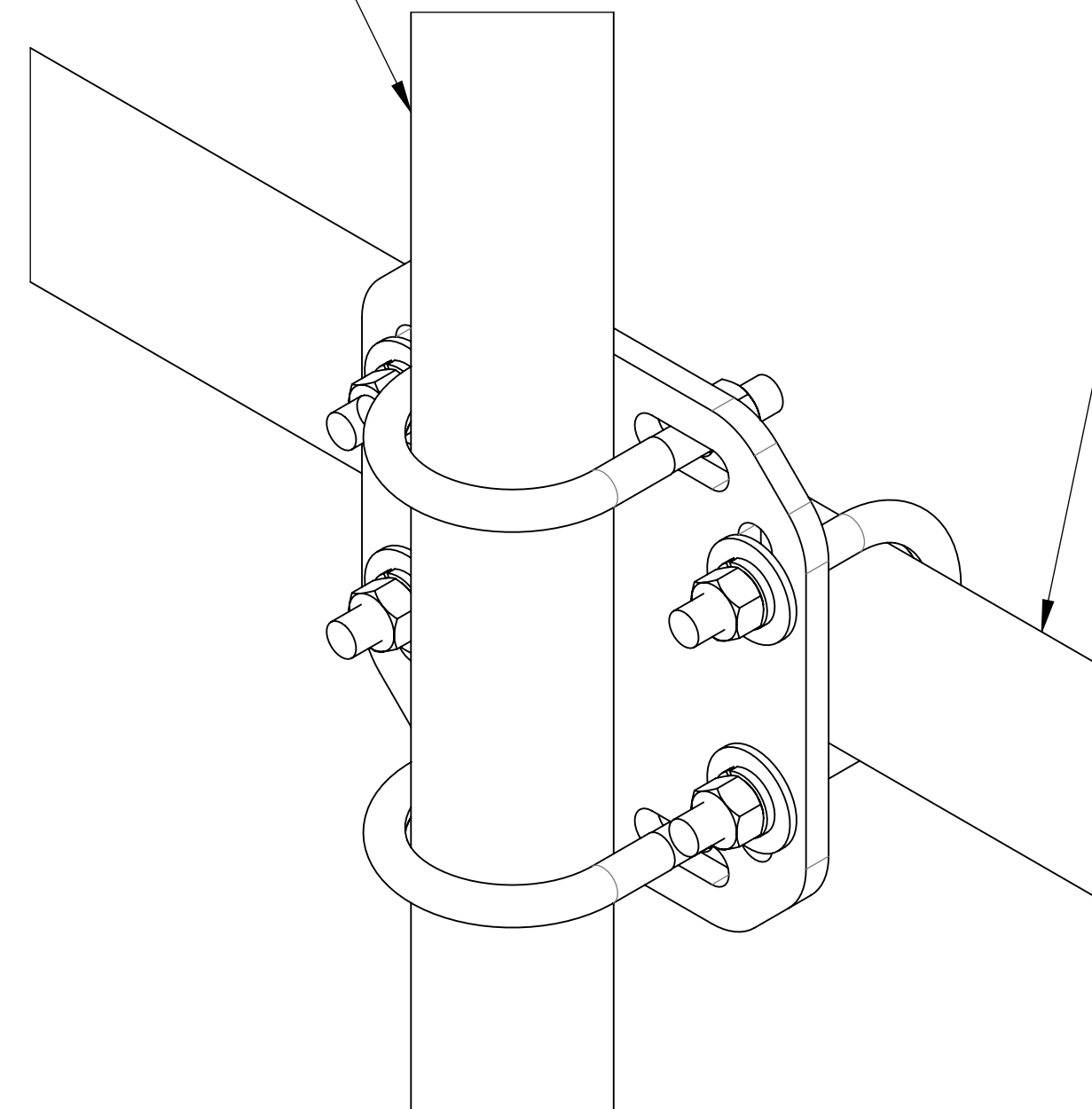
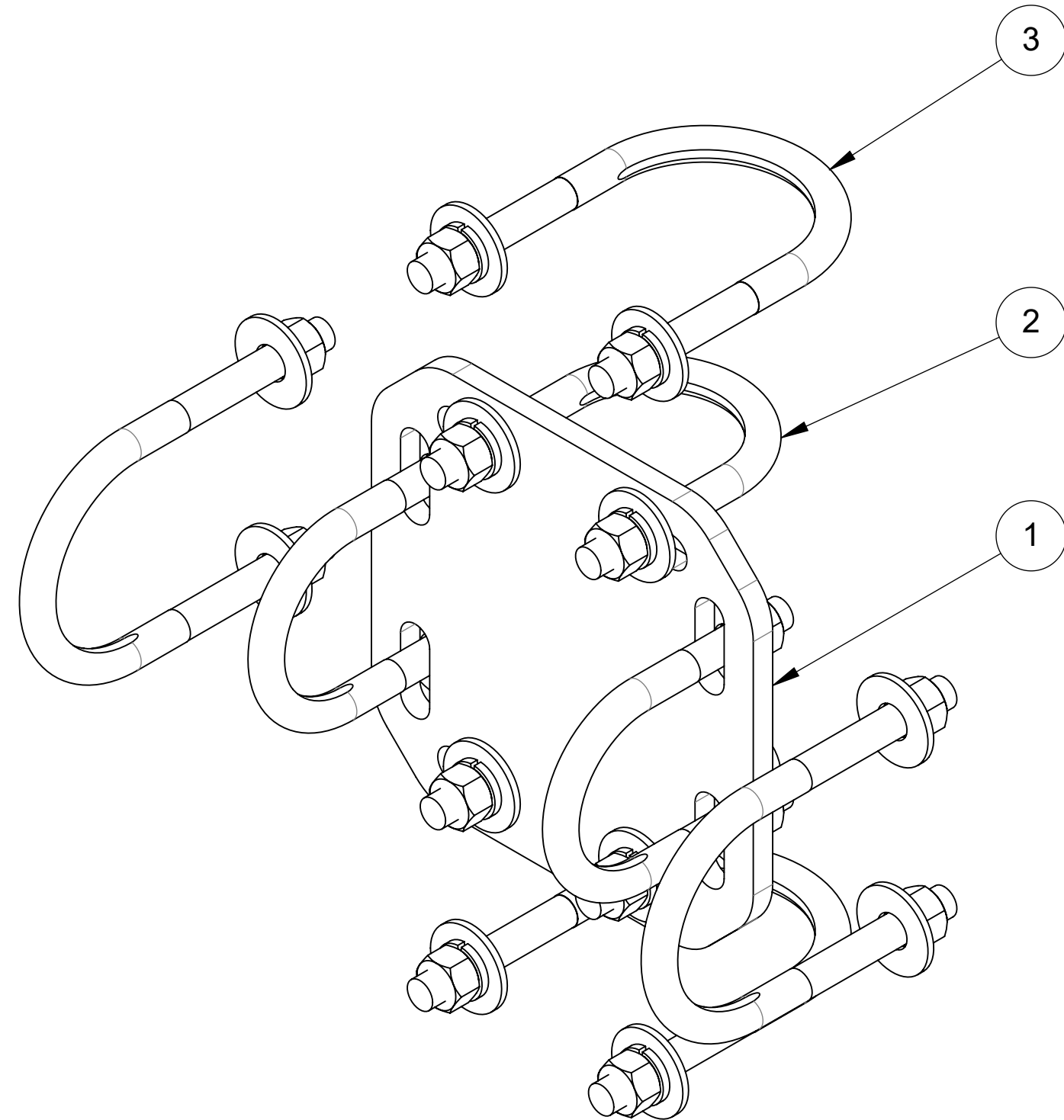
1

- 1.0 GENERAL NOTES
 - 1.1 ALL METRIC DIMENSIONS ARE IN BRACKETS [X. X]
 - 1.2 FOR PATENT INFO: <https://www.cs-pat.com>
- 2.0 DESIGN NOTES
- 3.0 MANUFACTURING/SPECIAL REQUIREMENTS
 - 3.1 TIGHTEN ALL BOLTS SECURING FLAT PLATES BY THE TURN-OF-NUT METHOD. TIGHTEN ALL U-BOLTS USING TURN-OF-NUT METHOD WITH ATTENTION TO LEAVE EQUAL DISTANCE AND EQUAL FORCE ON EACH LEG OF THE U-BOLT.
- 4.0 TEST
- 5.0 PACKAGING
 - 5.1 PACKAGING SHALL MEET COMMSCOPE REQUIREMENTS PER DOCUMENT IS-PL-3005

REVISIONS			
REV.	DESCRIPTION	DATE	APPROVED
A	INITIAL RELEASE	RY1002 17OCT23	TN1010 40181392CMO

FIT 2.375" O.D. OR 2.875" O.D.
VERTICAL PIPE
(NOT INCLUDED IN THIS KIT)

FIT 2.375" O.D. OR 2.875" O.D.
HORIZONTAL PIPE
(NOT INCLUDED IN THIS KIT)



COMPONENT PART NUMBERS PROVIDED FOR ASSEMBLY PURPOSES;
INDIVIDUAL COMPONENTS MAY BE SHIPPED AS PARTS WITHIN AN INCLUDED KIT.

ITEM	PART NO.	DESCRIPTION	QTY.	WEIGHT	NOTE NO.
1	XPU01	PLATE, CROSSOVER, 1.9-3.5" X 1.9-3.5" OD	1	4.76 LBS	
2	GUB-4240	1/2" X 2-1/2" X 4" GALV U-BOLT	4	0.56 LBS	FOR 2.375" O.D. PIPE
3	GUB-4352	1/2" X 3" X 5-1/4" GALV U-BOLT	4	0.71 LBS	FOR 2.875" O.D. PIPE

DENSITY		lbs/in ³
MASS	11.37	lbs
VOLUME	40.20	in ³
SURFACE AREA	368.43	in ²
HEIGHT		
LENGTH	7.4[187]	
WIDTH	6.4[162]	

COMMSCOPE, INC. OF NORTH CAROLINA											
TOLERANCES						SAP MATERIAL MASTER					
1 PLACE .X[X] ± .25[6.4]			3 PLACE .XXX[X] ± 0.060[1.5]			XP-2020-2025					
2 PLACE .XX[X] ± 0.12[3.0]			ANGLES ± 2°								
FINISH						MATERIAL					
UNLESS OTHERWISE SPECIFIED DIMENSIONS ARE IN INCHES INTERPRET PER ANSI Y 14.5M-1994	CE	TN1010	17COT23	CROSSOVER KIT 2-3/8 OR 2-7/8"							
	RW	AG1119	10/24/2023								
	AD	TN1010	10/24/2023								
	RE	LMCDOWEL	10/24/2023								
	ECN	40181392CMO									
SCALE		1:2		DOCUMENT NO.							
				XP-2020-2025							
SIZE	Auth Group	INSL	MODEL			DRAWING					
C			VERSION	STATUS	REVISION	VERSION	STATUS	REVISION			
			00	RE	A	00	RE	A			
SHEET 1 OF 1											

4

3

2

1