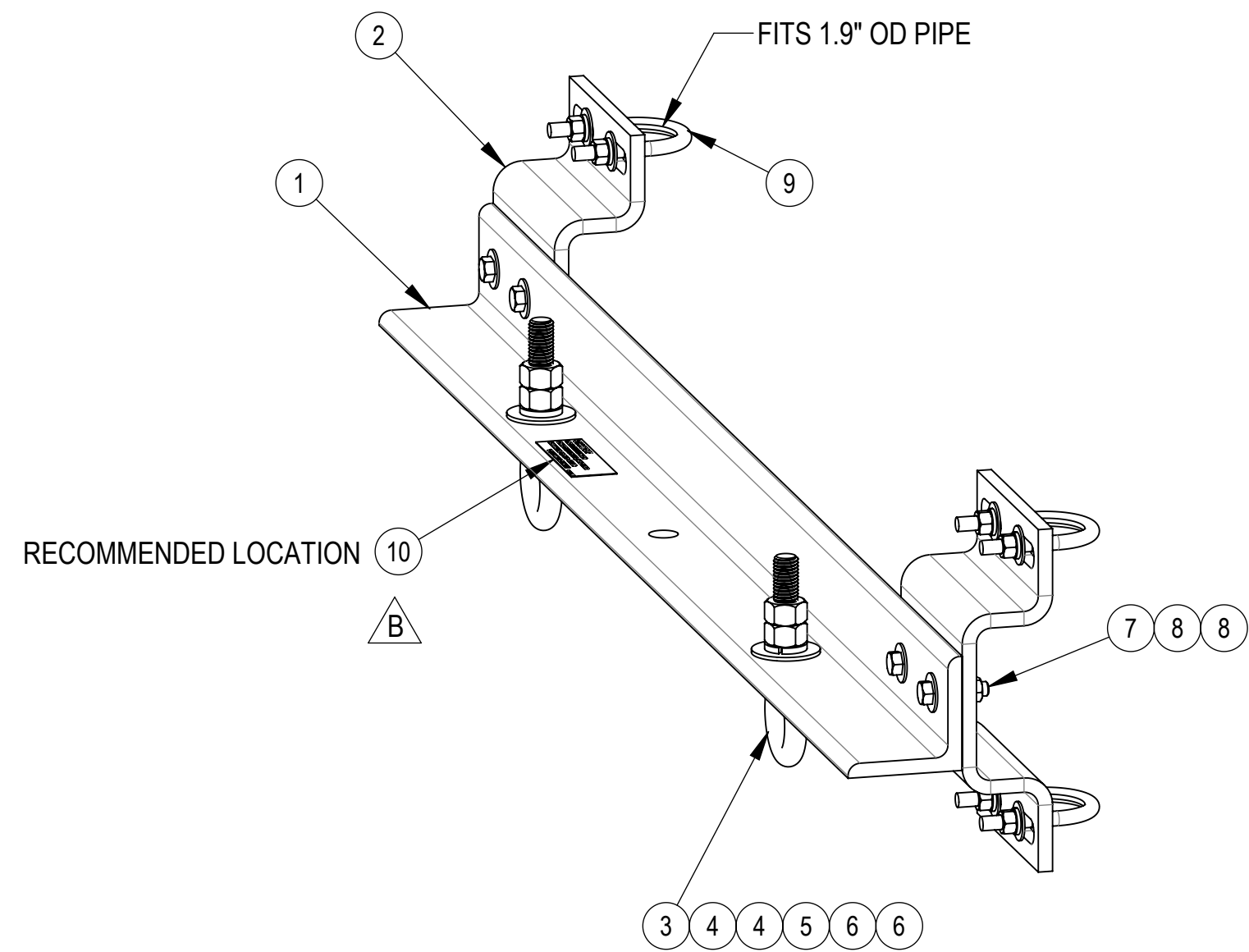
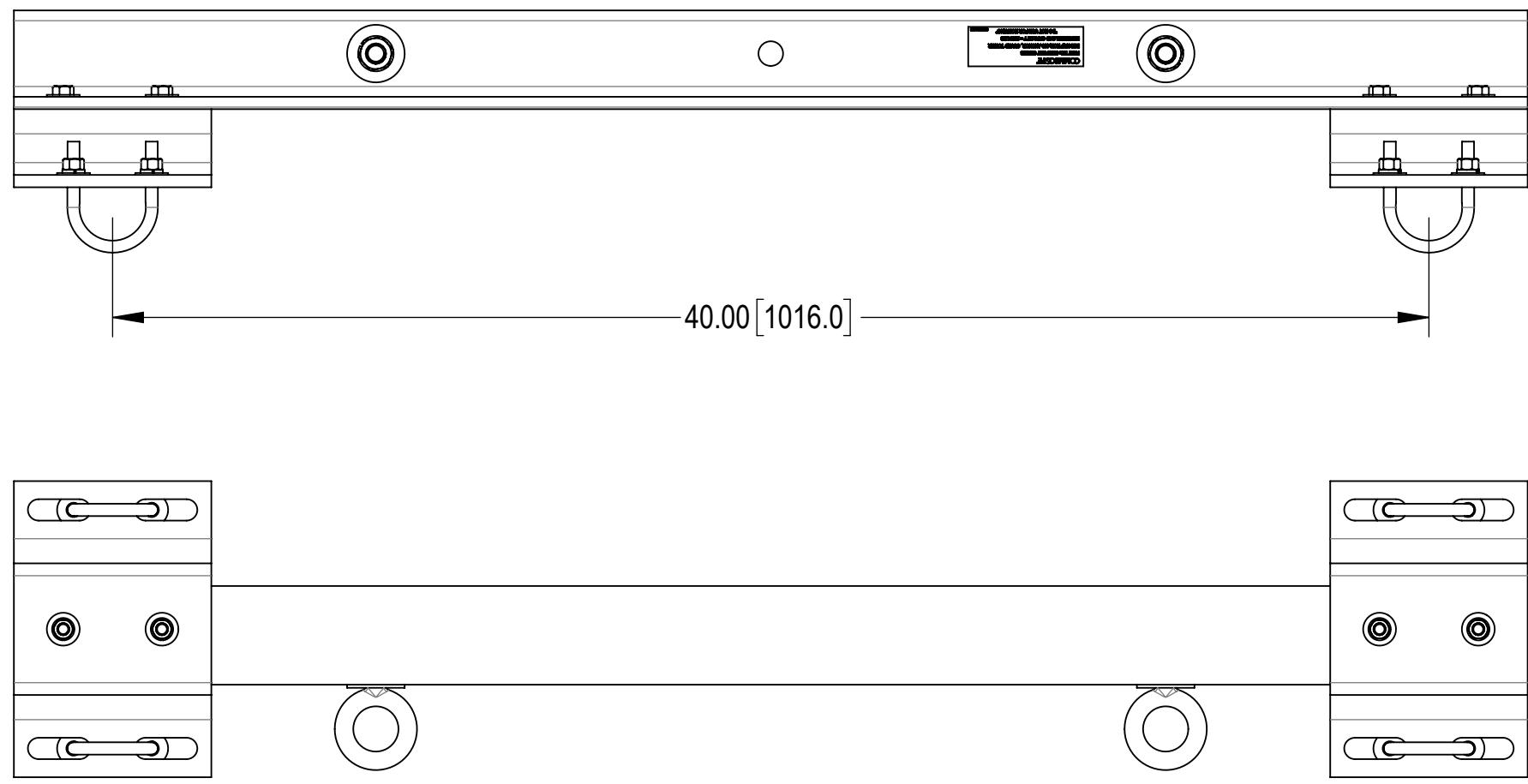


- 1.0 GENERAL NOTES
 1.1 ALL METRIC DIMENSIONS ARE IN BRACKETS [X.X]
 1.2 FOR PATENT INFO: <https://www.cs-pat.com>
 2.0 DESIGN NOTES
 2.1 ANY HAZARDS OR OBSTRUCTIONS TO THE CLIMBING FACILITY AND SAFETY CLIMB MUST BE IDENTIFIED PRIOR TO INSTALLING THE APPURTENANCE. ADDITIONAL PRODUCTS MAY BE REQUIRED TO MAINTAIN THE INTEGRITY OF THE SAFETY CLIMB. DURING INSTALLATION, TEMPORARY AND/OR PERMANENT PRECAUTIONARY MEASURES SHOULD BE TAKEN TO PRESERVE THE CLIMBING FACILITY AND/OR SAFETY CLIMB.
 3.0 MANUFACTURING/SPECIAL REQUIREMENTS
 3.1 TIGHTEN ALL BOLTS SECURING FLAT PLATES BY THE TURN-OF-NUT METHOD. TIGHTEN ALL U-BOLTS USING TURN-OF-NUT METHOD WITH ATTENTION TO LEAVE EQUAL DISTANCE AND EQUAL FORCE ON EACH LEG OF THE U-BOLT.
 4.0 TEST
 5.0 PACKAGING
 5.1 PACKAGING SHALL MEET COMMSCOPE REQUIREMENTS PER DOCUMENT IS-PL-3005
 5.2 PRINTED DOCUMENT TO BE PLACED INSIDE POLYBAG AND THEN IN SHIPPING CONTAINER
 5.3 EXTRA HARDWARE MAY BE SUPPLIED, BAGGED AND SHIPPED

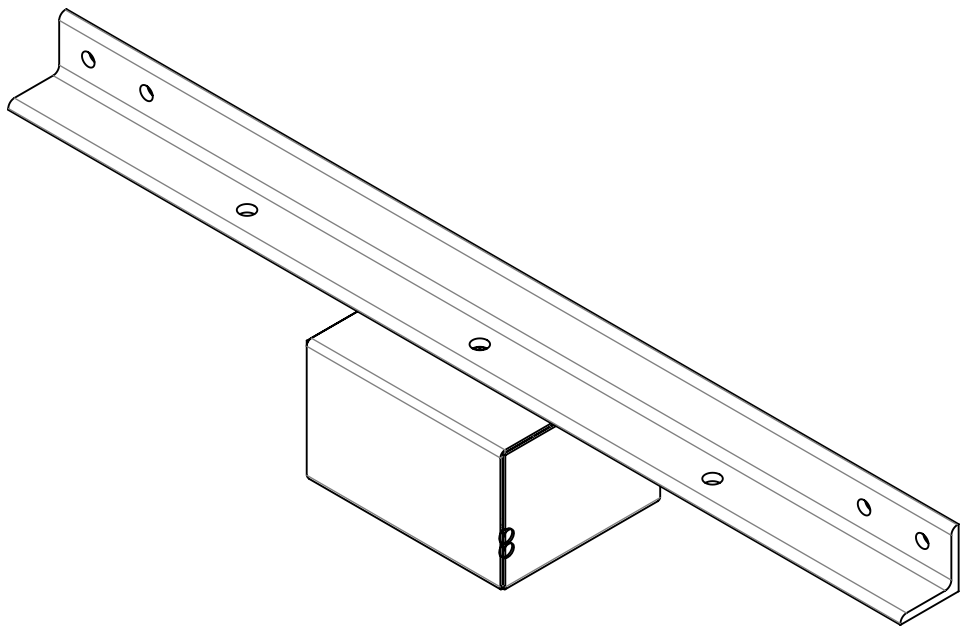
REVISIONS			
REV.	DESCRIPTION	DATE	APPROVED
A	INITIAL RELEASE	LL1090 16NOV23	EB1063 40183094CMO
B	MTC4165-LAB01 (ITEM 10) WAS MTC4165-LAB02	RY1002 12MAR24	EB1063 40190737CMO



NOTE: -MAXIMUM LOAD PER EYEBOLT = 1000 LBS
 -MAXIMUM LOAD PER GRIP ANCHOR = 2000 LBS
 -NOT TO BE USED FOR HOISTING
 -COMPETENT PERSON TO MAKE DETERMINATION OF USAGE ON THE STRUCTURE

COMPONENT PART NUMBERS PROVIDED FOR ASSEMBLY PURPOSES;
 INDIVIDUAL COMPONENTS MAY BE SHIPPED AS PARTS WITHIN AN INCLUDED KIT.

ITEM NO.	PART NUMBER	DESCRIPTION	QTY.	WEIGHT	NOTE NO.
1	MTC4165-041-42-00	41-42 INCH CROSSMEMBER GALVANIZED	1	26.96 LBS	
2	MTC4166-00	STEEL OFFSET BRACKET, GALV	2	7.08 LBS	
3	9674-1	BOLT, EYE, 5/8X3, STL, ZN PLD	2	0.08 LBS	
4	GW-05	5/8" GALV FLAT WASHER, 1.70D	4	0.06 LBS	
5	GW-05	5/8" GALV LOCK WASHER	2	0.03 LBS	
6	GN-05	5/8" GALV HEX NUT	4	0.08 LBS	
7	GB-03145	3/8" X 1-1/2" GALV BOLT KIT	4	0.07 LBS	
8	GW-03	3/8" GALV FLAT WASHER	8	0.01 LBS	
9	GUB3230	3/8" X 2" X 3" GALV U-BOLT	4	0.24 LBS	
10	MTC4165-LAB01	LABEL, HG ANCHOR, GUYED-TOWER	1	0.00 LBS	



PACKAGE

DENSITY		lbs/in ³
MASS	43.57	lbs
VOLUME	158.03	in ³
SURFACE AREA	1035.87	in ²
HEIGHT	7.36"	
LENGTH	9.00"	
WIDTH	46.00"	

© 2024 CommScope, Inc. Confidential

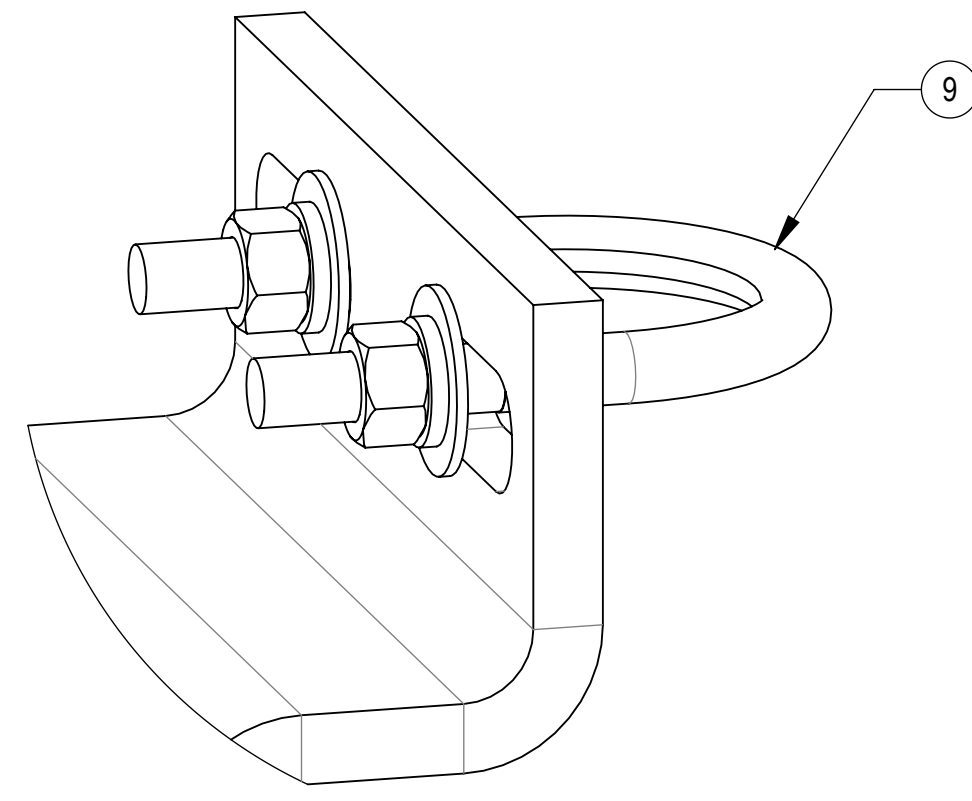
COMMSCOPE, INC. OF NORTH CAROLINA										
TOLERANCES					SAP MATERIAL MASTER					
1 PLACE .X[X] ± 0.2[6.3]			3 PLACE .XXX[X] ± 0.060[1.5]		860674607-041-42					
2 PLACE .XX[X] ± 0.12[3.0]			ANGLES ± 2°							
FINISH					MATERIAL					
UNLESS OTHERWISE SPECIFIED DIMENSIONS ARE IN INCHES INTERPRET PER ANSI Y 14.5M-1994	CE	LL1090	16NOV23	TITLE HG ANCHOR, GUYED-TOWER, 41-42" FACE						
	RW	RY1002	03/27/2024							
	AD	YMENG	03/27/2024							
	RE	RY1002	03/27/2024							
	ECN	40190737CMO								
SCALE			DOCUMENT NO.		860674607-041-42					
1:8										
SIZE	Auth Group	INSL	MODEL			DRAWING				SHEET 1 OF 2
C			VERSION	STATUS	REVISION	VERSION	STATUS	REVISION		
			01	RE	B	01	RE	B		

4

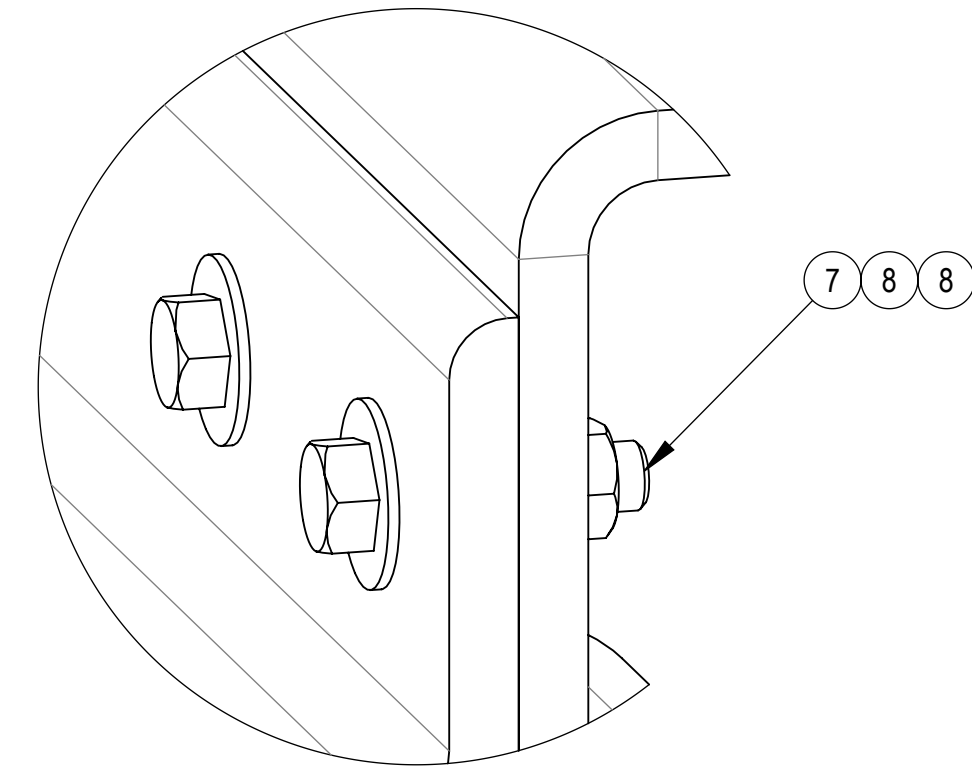
3

2

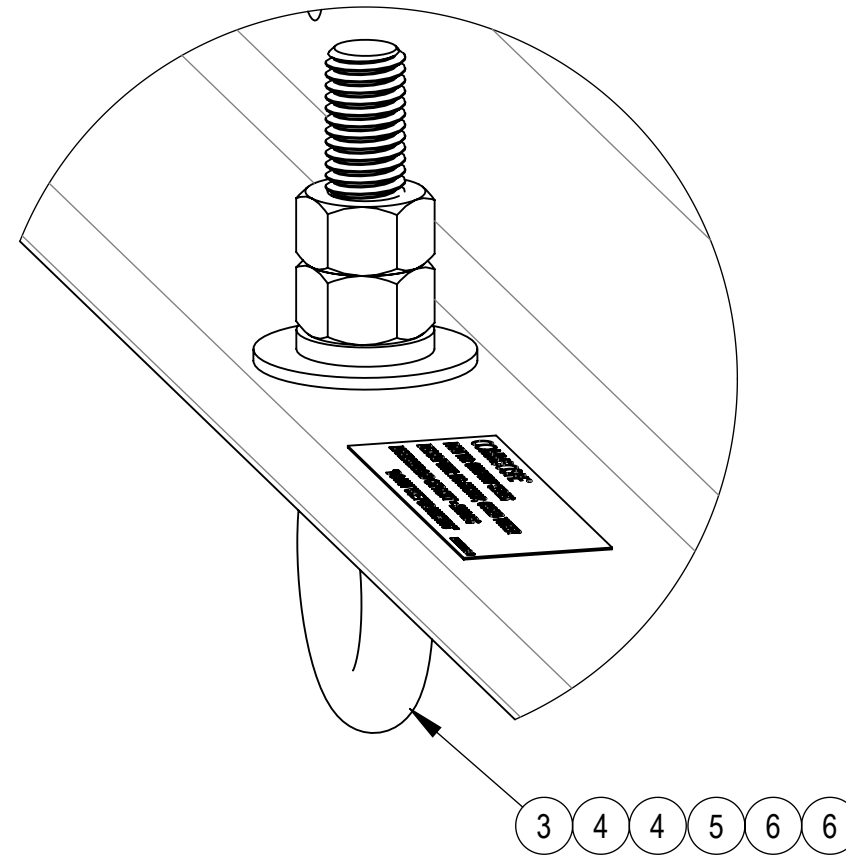
1



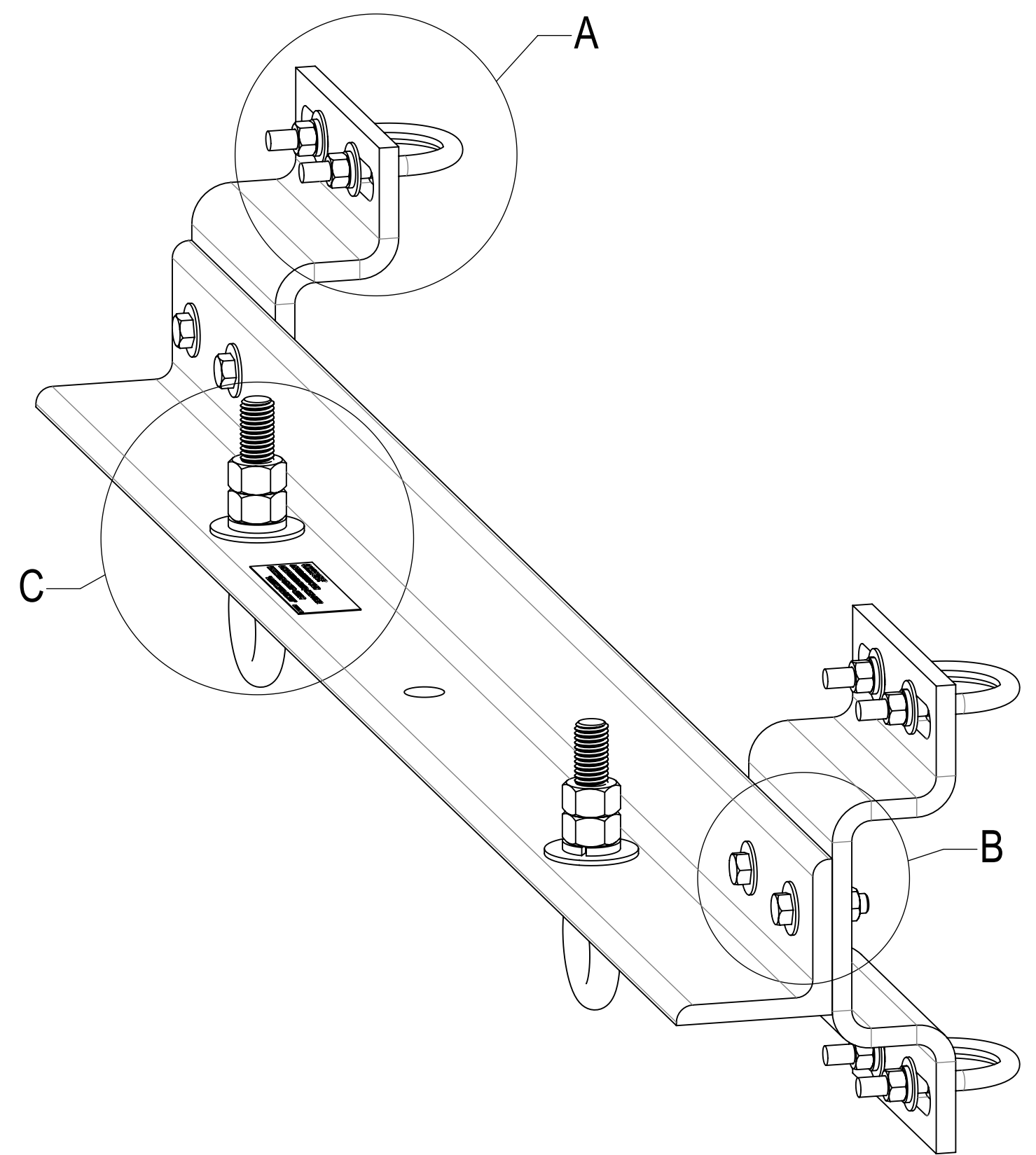
DETAIL A
SCALE 1 : 1




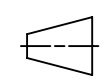
DETAIL B
SCALE 1 : 1



DETAIL C
SCALE 2 : 3



NOTE: -MAXIMUM LOAD PER EYEBOLT = 1000 LBS
 -MAXIMUM LOAD PER GRIP ANCHOR = 2000 LBS
 -NOT TO BE USED FOR HOISTING
 -COMPETENT PERSON TO MAKE DETERMINATION OF USAGE
 ON THE STRUCTURE

COMMSCOPE, INC. OF NORTH CAROLINA					
TITLE HG ANCHOR,GUYED-TOWER,41-42" FACE					
SIZE C	SCALE 1:5	DOCUMENT NO. 860674607-041-42			
 		DRAWING			SHEET 2 OF 2
		VERSION 01	STATUS RE	REVISION B	

4

3

2

1