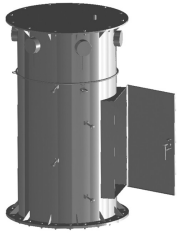


WT-SPM14-12-72



Stackable Pod Mount Assembly, 3-sector platform, 14 ft face, twelve 2-3/8 in OD x 72 in pipe mounts included

Product Classification

Product Type Water tower mount

General Specifications

Mounting Hatch plate

Pipe, quantity 12

Sectors, quantity 3

Dimensions

Height 2,133.6 mm | 84 in

Face Width 4.42 m | 14.5 ft

Width 4,419.6 mm | 174 in

Length 4,419.6 mm | 174 in

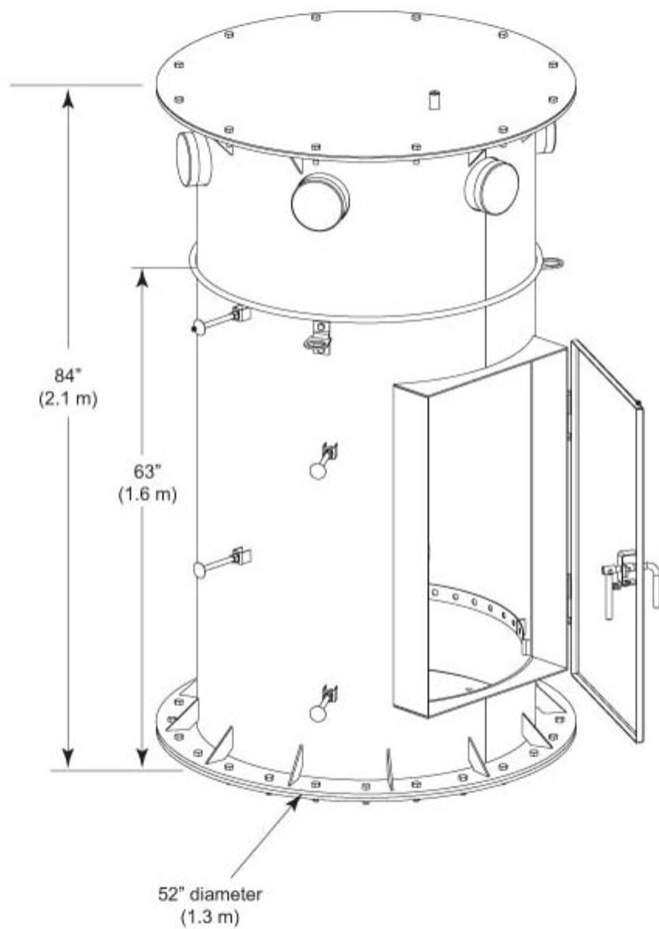
Pipe Length 1,828.8 mm | 72 in

Compatible Diameter 1,219.2 mm | 48 in

Pipe Outer Diameter 60.96 mm | 2.4 in

WT-SPM14-12-72

Outline Drawing



Material Specifications

Material Type Hot dip galvanized steel

Packaging and Weights

Included Mount | Plain end pipes (12) | Platform

Packaging quantity 1

Weight, net 1,378.513 kg | 3,039.1 lb

Regulatory Compliance/Certifications

Agency **Classification**

WT-SPM14-12-72

ISO 9001:2015

Designed, manufactured and/or distributed under this quality management system



Included Products

- | | | |
|-------------|---|--|
| MC-RM3060-3 | - | Universal Ring Mount, 30 in to 60 in OD |
| MT-196-14L | - | Low Profile Co-location Large Base Platform, 14 ft face. Ring Mount & Antenna Pipes Sold Separately. |
| MT-219-72 | - | Pipe Mount Kit, 2-3/8 in OD x 72 in |
| WT-SPM-B | - | Stackable Pod Mount Assembly, platform and plain end pipe not included |