

Surge Arrestors

7-16 DIN and Type N Bulkhead Interfaces, APT-BNF and APT-BDF

Andrew Institute offers installation training.

Description

The APT Surge Arrestor is designed to protect equipment from damaging transients induced by lightning strikes. The APT Surge Arrestors are available for use in several frequency bands and a variety of interface combinations. The operating bandwidth is specified on each APT Surge Arrestor.

Installation

The APT Surge Arrestor is a **bidirectional** RF device. Either RF port may be connected to the equipment side or the antenna side of the transmission line interface while providing equivalent protection. Do not leave the APT Surge Arrestor RF ports exposed in outdoor applications.

The APT Bulkhead Surge Arrestor grounding is accomplished through the surge arrestor body at the point of attachment to the bulkhead. The bulkhead must be attached to a master ground bar or the system's earth ground ring to ensure a low impedance path to ground.

During installation, all grounding contact surfaces must be clean, dry, and free of oxidation.

Microwave Performance Testing

The APT Surge Arrestors can be readily tested for microwave performance using any network analyzer. VSWR (return loss) and insertion loss are specified for the operating bandwidth only. Fault location testing can be performed through the APT Surge Arrestor with the appropriate test equipment (for example, vector network analyzer with time domain capability). Some test equipment manufacturers refer to this type of fault location testing as Frequency Domain Reflectometry (FDR).

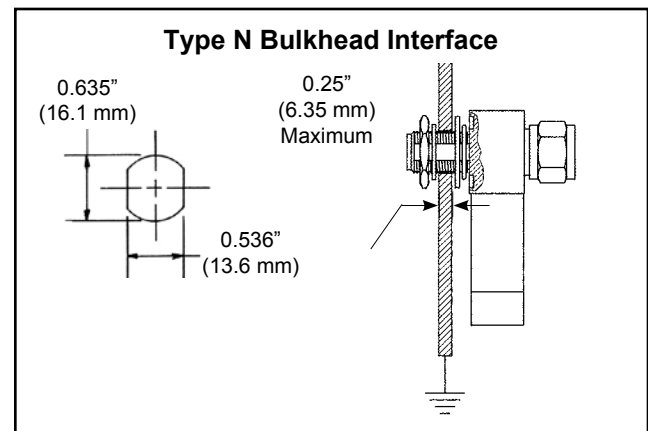
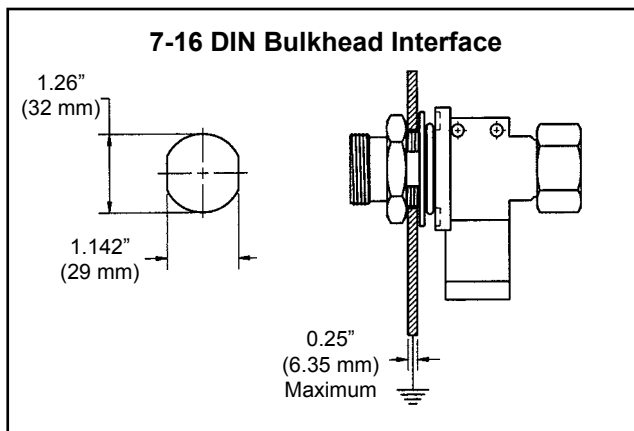
Surge Performance Testing

The APT Surge Arrestors are constructed using extremely reliable quarter-wave technology. The APT Surge Arrestors do not contain expendable devices that require periodic maintenance.

Notice

The installation, maintenance, or removal of antenna systems requires qualified, experienced personnel. Andrew installation instructions are written for such personnel. Antenna systems should be inspected once a year by qualified personnel to verify proper installation, maintenance, and condition of equipment.

Andrew disclaims any liability or responsibility for the results of improper or unsafe installation practices.



	表一 有毒有害物质或元素名称及含量标识格式					
	有毒有害物质或元素					
部件名称 (Part Name)	铅 (Pb)	汞 (Hg)	镉 (Cd)	六价铬 (Cr6+)	多溴联苯 (PBB)	多溴二苯醚 (PBDE)
连接器 (Connector)	X	O	O	O	O	O
O: 表示有毒有害物质在该部件所有的均质材料中的含量均在SJ/T 11363-2006规定的限量要求以下。 X: 表示该有毒有害物质至少在该部件的某一均质材料中的含量超出SJ/T 11363-2006规定的限量要求。						

Andrew Corporation

3 Westbrook Corporate Center, Suite 900, Westchester, Illinois U.S.A. 60154
 +1 (708) 349-3300 Fax (U.S.A.): 1-800-349-5444
 www.andrew.com

Customer Service 24 hours

U.S.A., Canada, Mexico: 1-800-255-1479
 U.K.: 0800 250055
 Other Europe: +44 592 782 612

Notice: Andrew disclaims any liability or responsibility for the results of improper or unsafe installation, inspection, maintenance, or removal practices.
 Aviso: Andrews no acepta ninguna obligación ni responsabilidad como resultado de prácticas incorrectas o peligrosas de instalación, inspección, mantenimiento o retiro.
 Avis : Andrew décline toute responsabilité pour les conséquences de procédures d'installation, d'inspection, d'entretien ou de retrait incorrectes ou dangereuses.
 Hinweis: Andrew lehnt jede Haftung oder Verantwortung für Schäden ab, die aufgrund unsachgemäßer Installation, Überprüfung, Wartung oder Demontage auftreten.
 Atenção: A Andrew abdica do direito de toda responsabilidade pelos resultados de práticas inadequadas e sem segurança de instalação, inspeção, manutenção ou remoção.
 Avvertenza: Andrew declina eventuali responsabilità derivanti dall'esecuzione di procedure di installazione, ispezione, manutenzione e smontaggio improprie o poco sicure.
 注意: Andrew 公司申明對於不恰當或不安全的安裝、檢驗、維修或拆卸操作所導致的後果不負任何義務和責任