

4

3

2

1

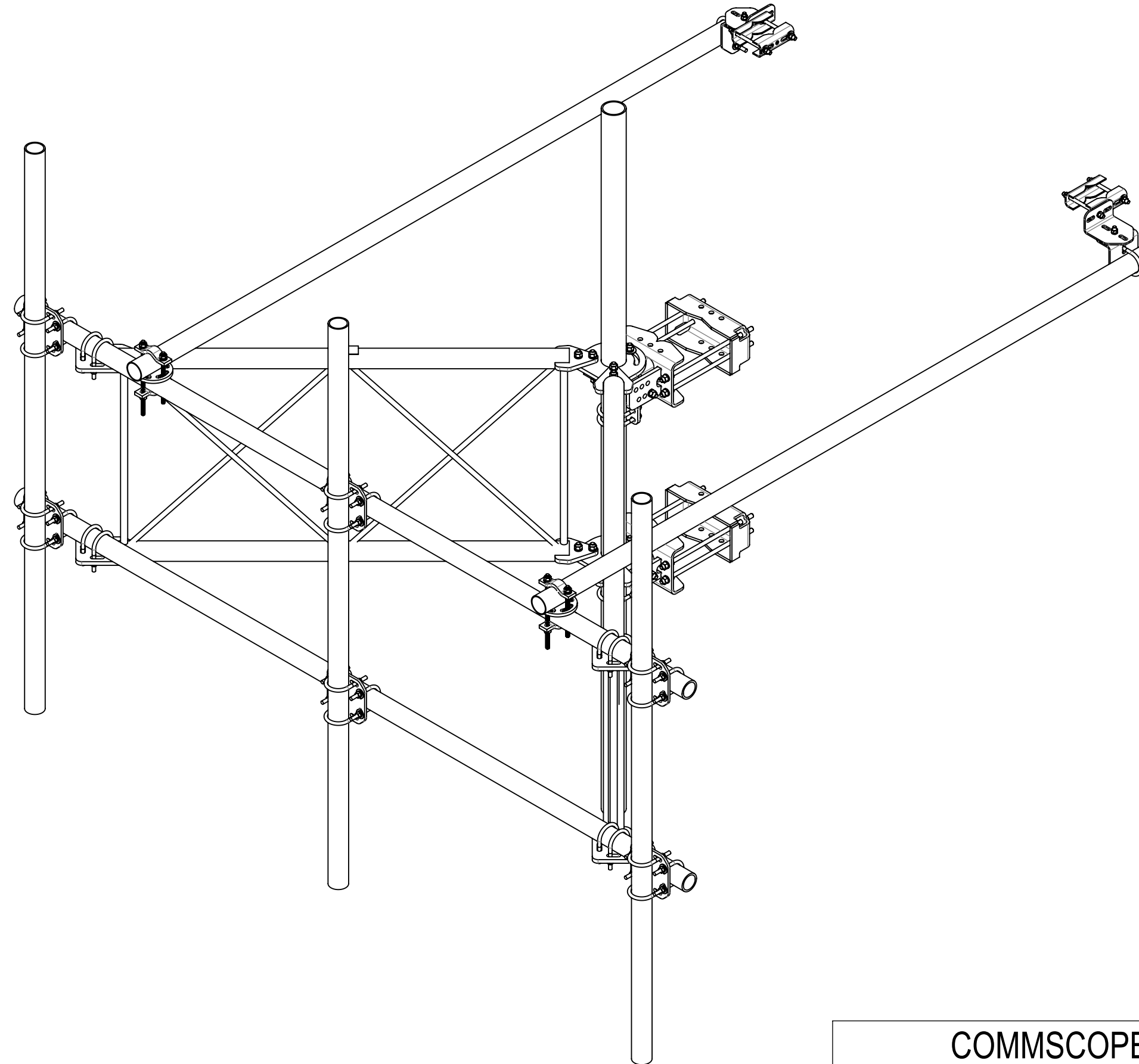
- 1.0 GENERAL NOTES
- 1.1 ALL METRIC DIMENSIONS ARE IN BRACKETS [X.X]
- 1.2 FOR PATENT INFO: <https://www.cs-pat.com>

- 2.0 DESIGN NOTES
- 2.1 ANY HAZARDS OR OBSTRUCTIONS TO THE CLIMBING FACILITY AND SAFETY CLIMB MUST BE IDENTIFIED PRIOR TO INSTALLING THE APPURTENANCE. ADDITIONAL PRODUCTS MAY BE REQUIRED TO MAINTAIN THE INTEGRITY OF THE SAFETY CLIMB. DURING INSTALLATION, TEMPORARY AND/OR PERMANENT PRECAUTIONARY MEASURES SHOULD BE TAKEN TO PRESERVE THE CLIMBING FACILITY AND/OR SAFETY CLIMB.
- 2.2 UP TO 5.0° TAPER AVAILABLE ON MODELS THAT SUPPORT ADJUSTMENT

- 3.0 MANUFACTURING/SPECIAL REQUIREMENTS
- 3.1 TIGHTEN ALL BOLTS SECURING FLAT PLATES BY THE TURN-OF-NUT METHOD. TIGHTEN ALL U-BOLTS USING TURN-OF-NUT METHOD WITH ATTENTION TO LEAVE EQUAL DISTANCE AND EQUAL FORCE ON EACH LEG OF THE U-BOLT.

- 4.0 TEST
- 5.0 PACKAGING
- 5.1 PACKAGING SHALL MEET COMMSCOPE REQUIREMENTS PER DOCUMENT IS-PL-3005.
- 5.2 PRINTED DOCUMENT TO BE PLACED INSIDE POLYBAG AND THEN IN SHIPPING CONTAINER.
- 5.3 EXTRA HARDWARE MAY BE SUPPLIED, BAGGED AND SHIPPED.

REVISIONS			
REV.	DESCRIPTION	DATE	APPROVED
A	INITIAL RELEASE	RY1002 30NOV23	YC1015 40182550CMO



COMMSCOPE, INC. OF NORTH CAROLINA

TOLERANCES		SAP MATERIAL MASTER	
1 PLACE .X[X] ± 0.2[6.3]	3 PLACE .XXX[X] ± 0.060[1.5]	SFG23RHDXL11-3-96	
2 PLACE .XX[X] ± 0.12[3.0]	ANGLES ± 2°		

FINISH	MATERIAL
--------	----------

UNLESS OTHERWISE SPECIFIED DIMENSIONS ARE IN INCHES INTERPRET PER ANSI Y 14.5M-1994	NAME	DATE	TITLE
	CE RY1002	30NOV23	SECTOR FRAME 11' FACE,(3) 96" ANT
	RW RY1002	12/14/2023	
	AD YC1015	12/18/2023	SCALE
	RE YMENG	12/18/2023	DOCUMENT NO.
ECN 40182550CMO		1:32	SFG23RHDXL11-3-96

DENSITY	lbs/in³
MASS	925.05 lbs
VOLUME	3263.60 in³
SURFACE AREA	27968.24 in²
HEIGHT	120"
LENGTH	132"
WIDTH	120"

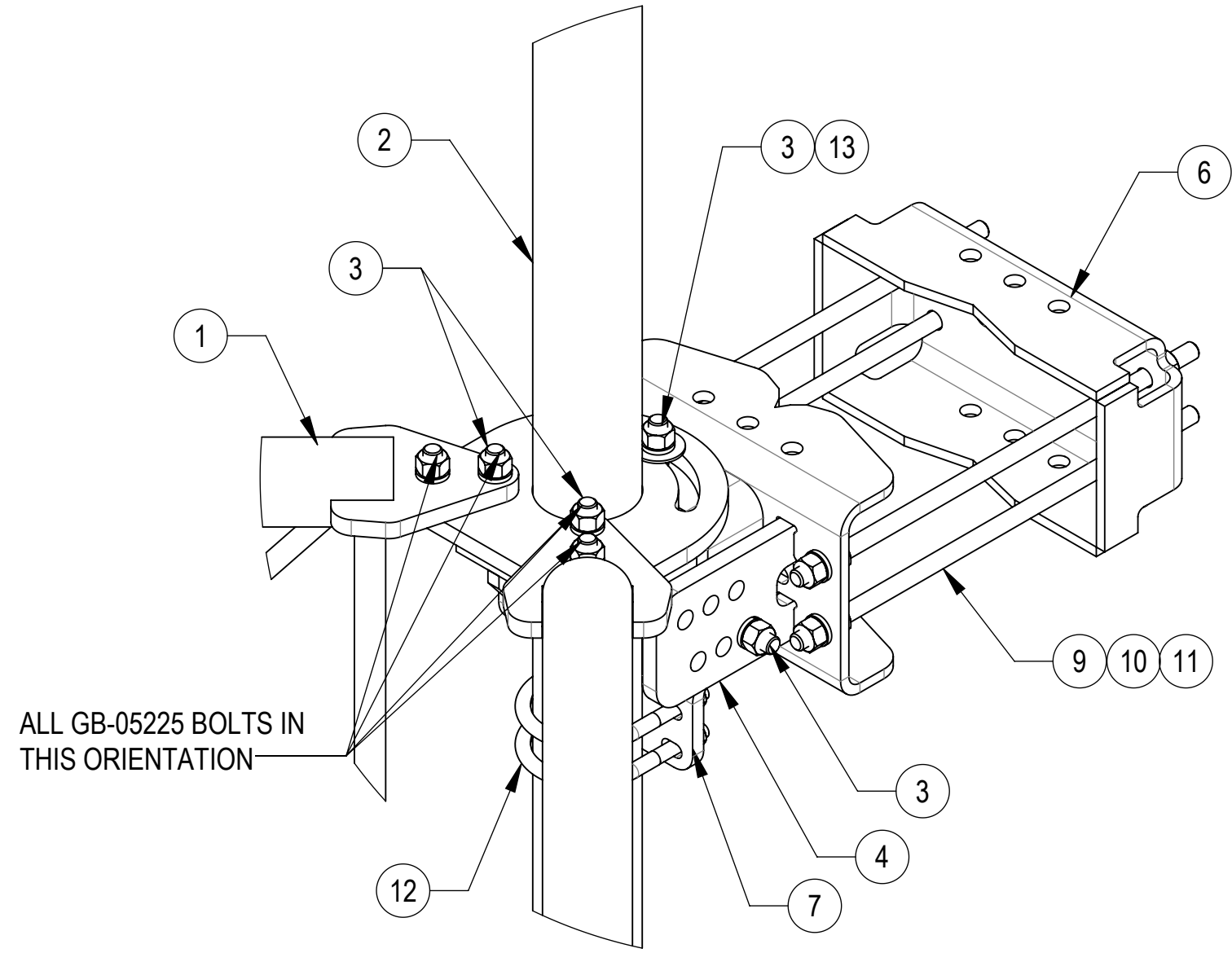
SIZE	Auth Group	INSL	MODEL	DRAWING			SHEET		
C			VERSION	STATUS	REVISION	VERSION	STATUS	REVISION	1 OF 5
			02	RE	C	00	RE	A	

4

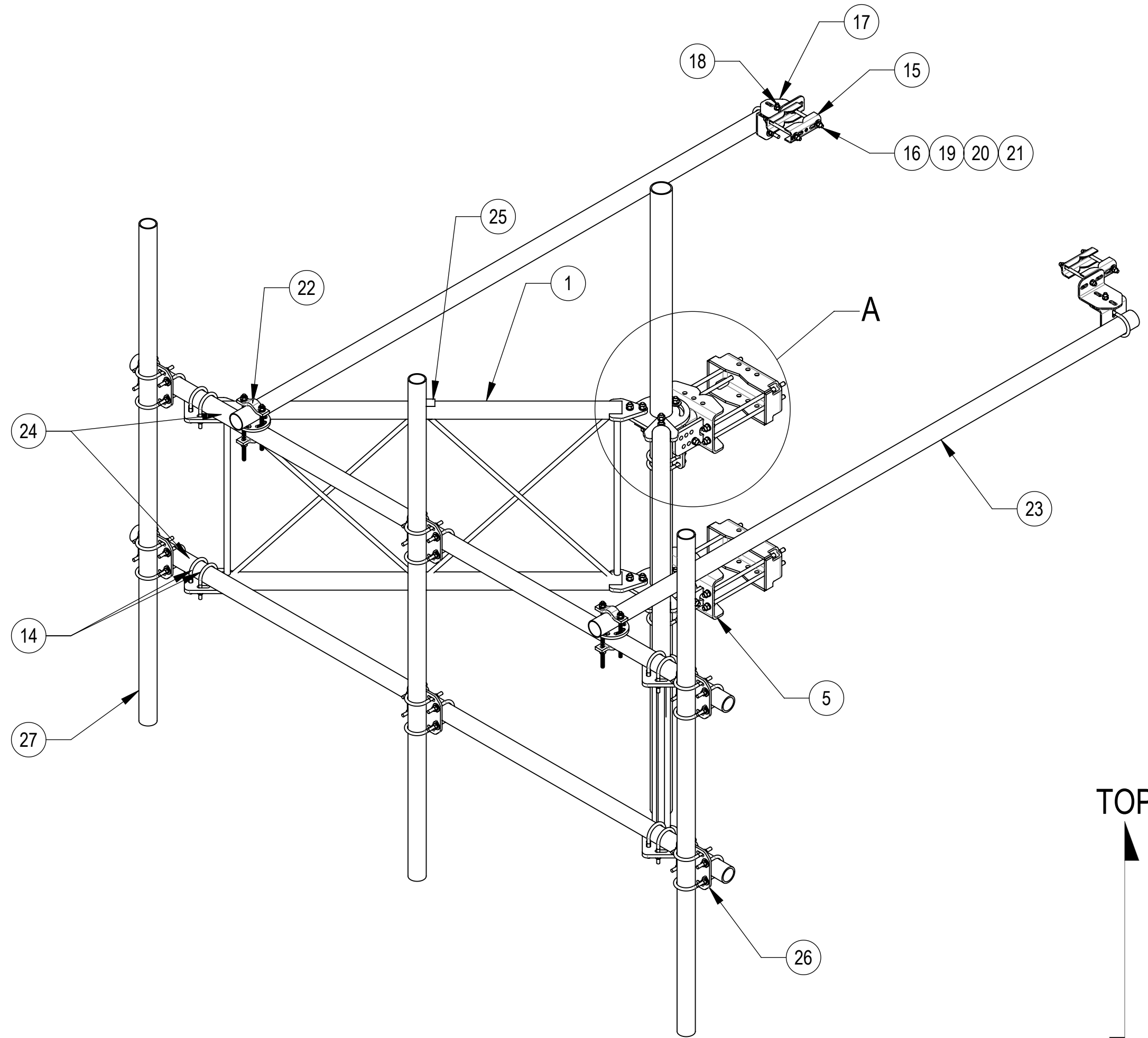
3

2

1

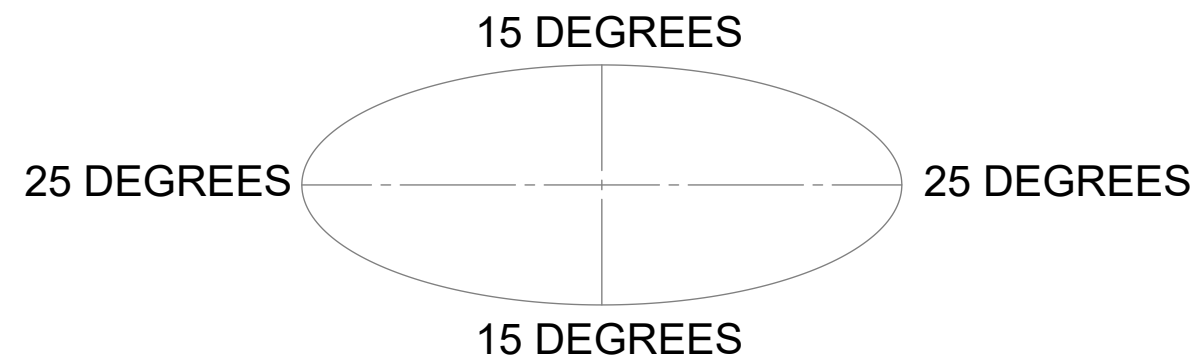


DETAIL A
SCALE 1 : 5



ALLOWABLE TIEBACK ANGLE

+15 DEGREES VERTICAL
+25 DEGREES HORIZONTAL



COMPONENT PART NUMBERS PROVIDED FOR ASSEMBLY PURPOSES;
INDIVIDUAL COMPONENTS MAY BE SHIPPED AS PARTS WITHIN AN INCLUDED KIT.

ITEM	PART NO.	DESCRIPTION	QTY.	WEIGHT	NOTE NO.
1	SFG23180-00	ARM, STANDOFF, SFG23	2	120.07 LBS	
2	SFG2204	WELDMENT, BACK VERTICAL ARM MOUNT	1	97.29 LBS	
3	GB-05225	5/8" X 2-1/4" GALV BOLT KIT	14	0.28 LBS	
4	SFG2380	WELDMENT, HD, TOP TAPER BRACKET	1	22.78 LBS	
5	SFG2381	WELDMENT, HD, LOWER TOWER LEG BRACKET	1	17.42 LBS	
6	SFG2289	G2 RRU BACK CLAMP, HD	2	18.65 LBS	
7	SFG2386	WELDMENT, SFG2 AZIMUTH BRACKET	1	10.07 LBS	
8	SFG2397-00	WELDMENT, G23 AZIMUTH BRACKET	1	7.94 LBS	
9	MT-382-18	5/8" X 18" THREADED ROD	8	1.43 LBS	
10	GWL-05	5/8" GALV LOCK WASHER	16	0.03 LBS	
11	GN-05	5/8" GALV HEX NUT	24	0.08 LBS	
12	GUB-4355	1/2" X 3-5/8" X 5" GALV U-BOLT	3	0.71 LBS	
13	GWF-05	5/8" GALV FLAT WASHER, 1.7OD	2	0.06 LBS	
14	GUB-4352	1/2" X 3" X 5-1/4" GALV U-BOLT	10	0.71 LBS	
15	SAB01	FORMED CLAMP	4	1.35 LBS	
16	MT-379-8	1/2" X 8" GALV THREADED ROD	4	0.45 LBS	
17	XAU01	ANGLE, CROSSOVER, 1.9-3.5" X 1.9-3.5" OD	4	2.98 LBS	
18	GB-04145	1/2" X 1-1/2" GALV BOLT KIT	2	0.13 LBS	
19	GWF-04	1/2" GALV FLAT WASHER	8	0.04 LBS	
20	GWL-04	1/2" GALV LOCK WASHER	10	0.01 LBS	
21	GN-04	1/2" GALV HEX NUT	10	0.04 LBS	
22	XP-R	CROSSOVER PLATE, ROUND, UP TO 3.5" OD	2	6.20 LBS	
23	MT546120120	PIPE, 2.875"OD X 120"	2	35.44 LBS	
24	MT546132276	PIPE, 2.875"OD X 132"	2	84.58 LBS	
25	SFG23100	LABEL, SFG23RHDXL	1	0.04 LBS	
26	XP-2525	CROSSOVER PLATE KIT, 2-7/8 OD X 2-7/8 OD	6	8.37 LBS	
27	MT54696	PIPE, 2.875"OD X 96"	3	45.96 LBS	

COMMSCOPE, INC. OF NORTH CAROLINA

TITLE
SECTOR FRAME 11' FACE,(3) 96" ANT

SIZE C	SCALE 1:16	DOCUMENT NO. SFG23RHDXL11-3-96
------------------	----------------------	--

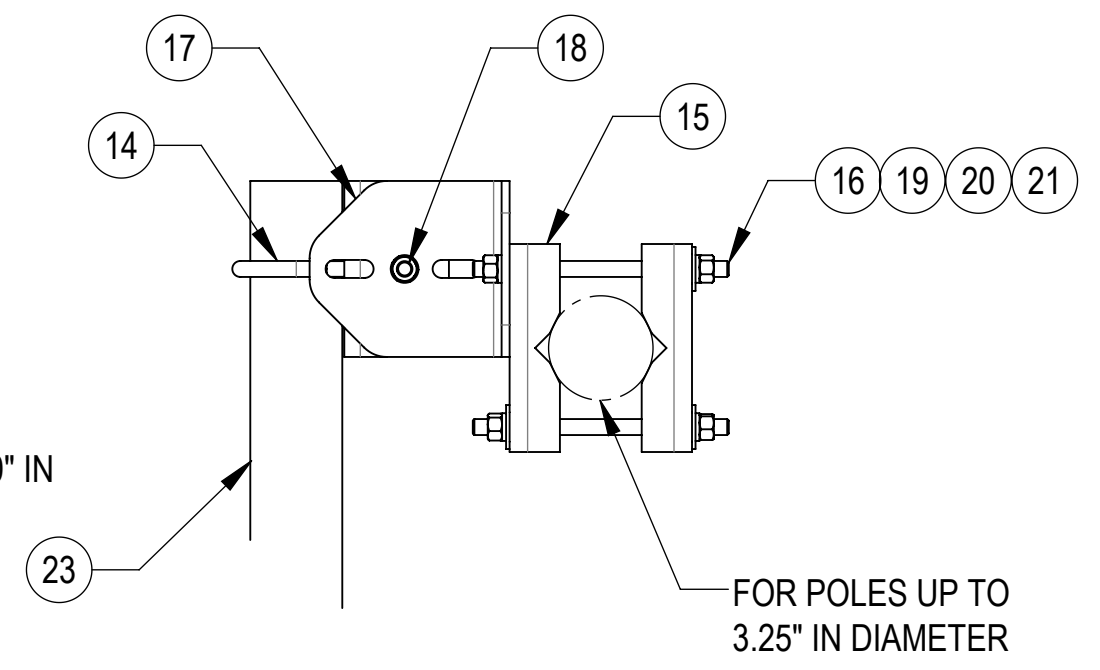
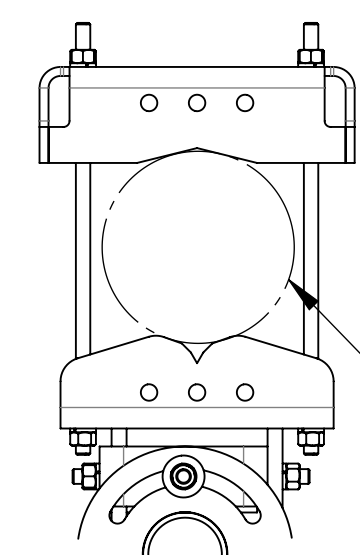
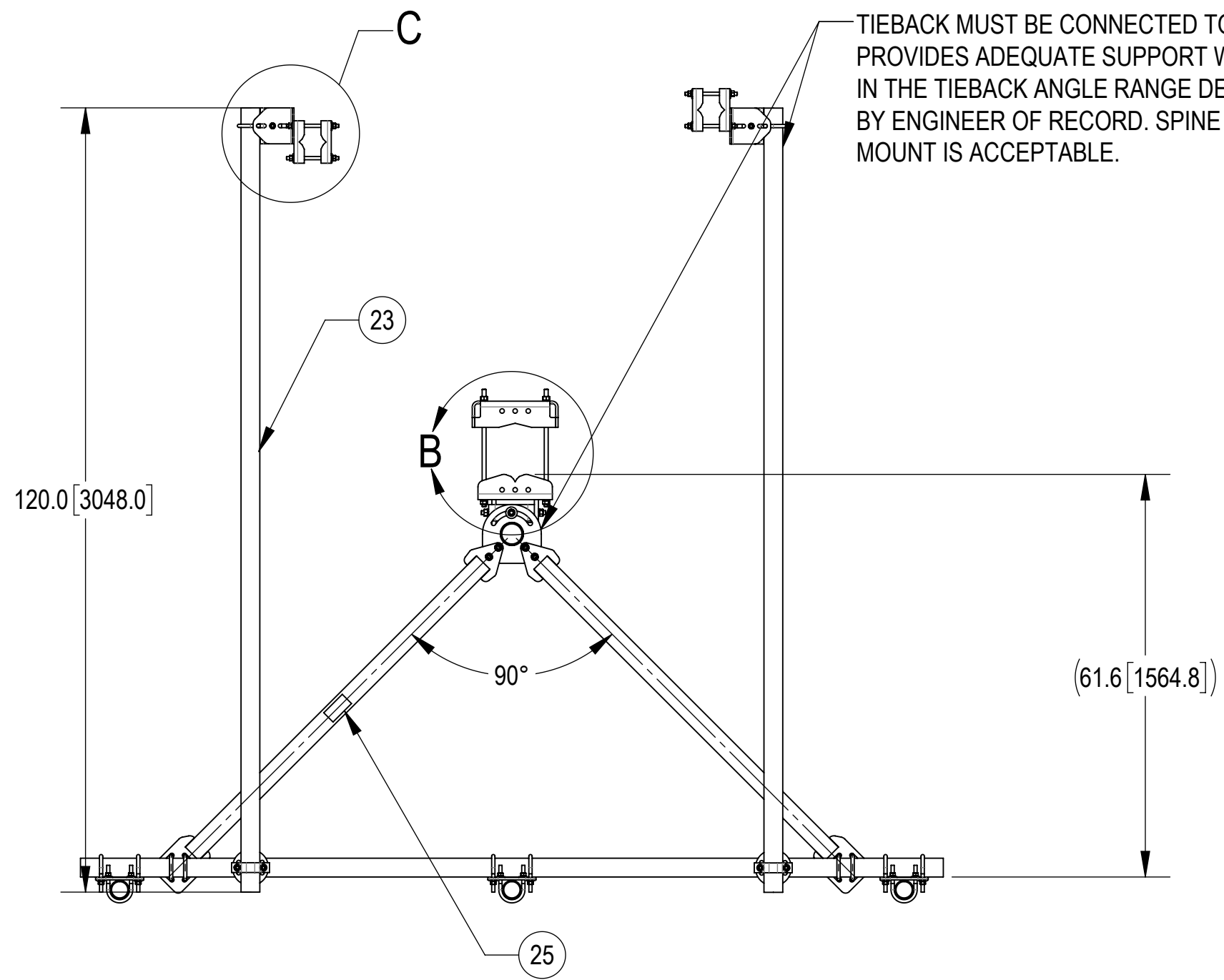
DRAWING			SHEET 2 OF 5
VERSION 00	STATUS RE	REVISION A	

4

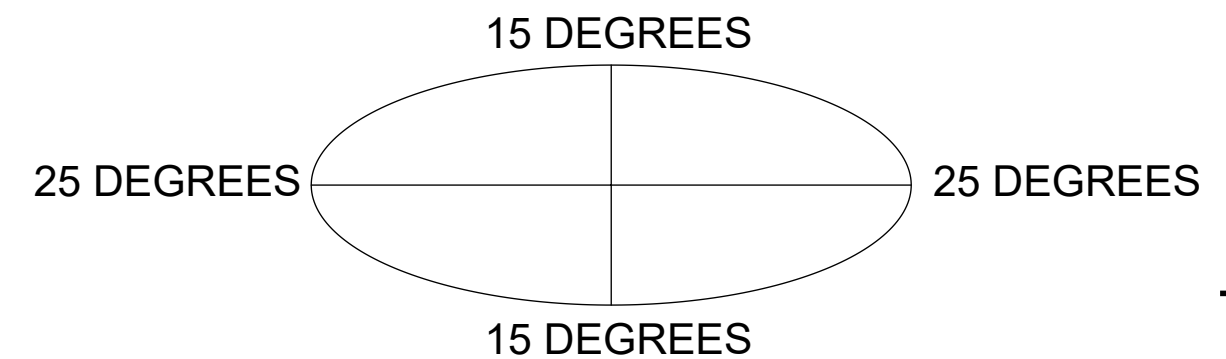
3

2

1

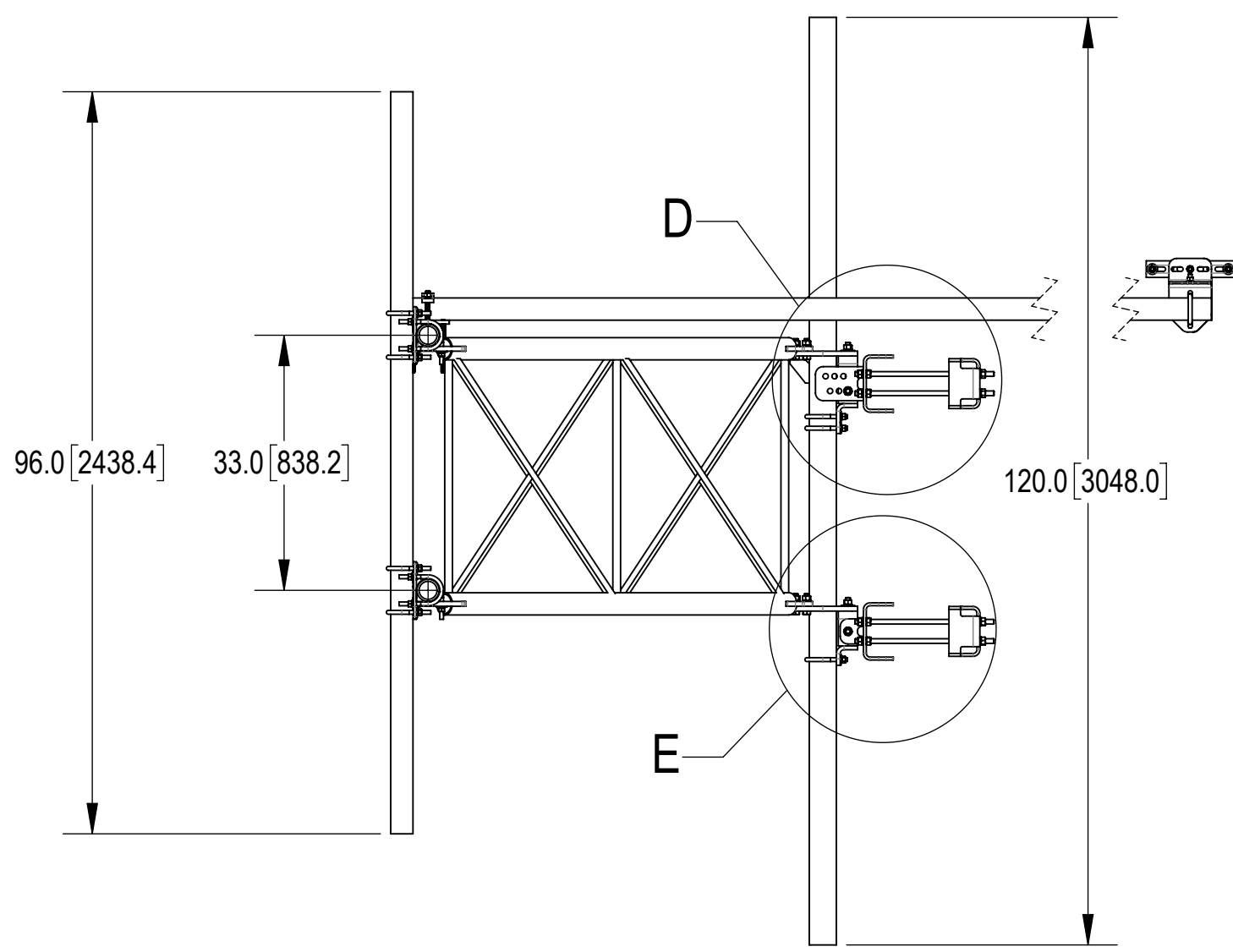
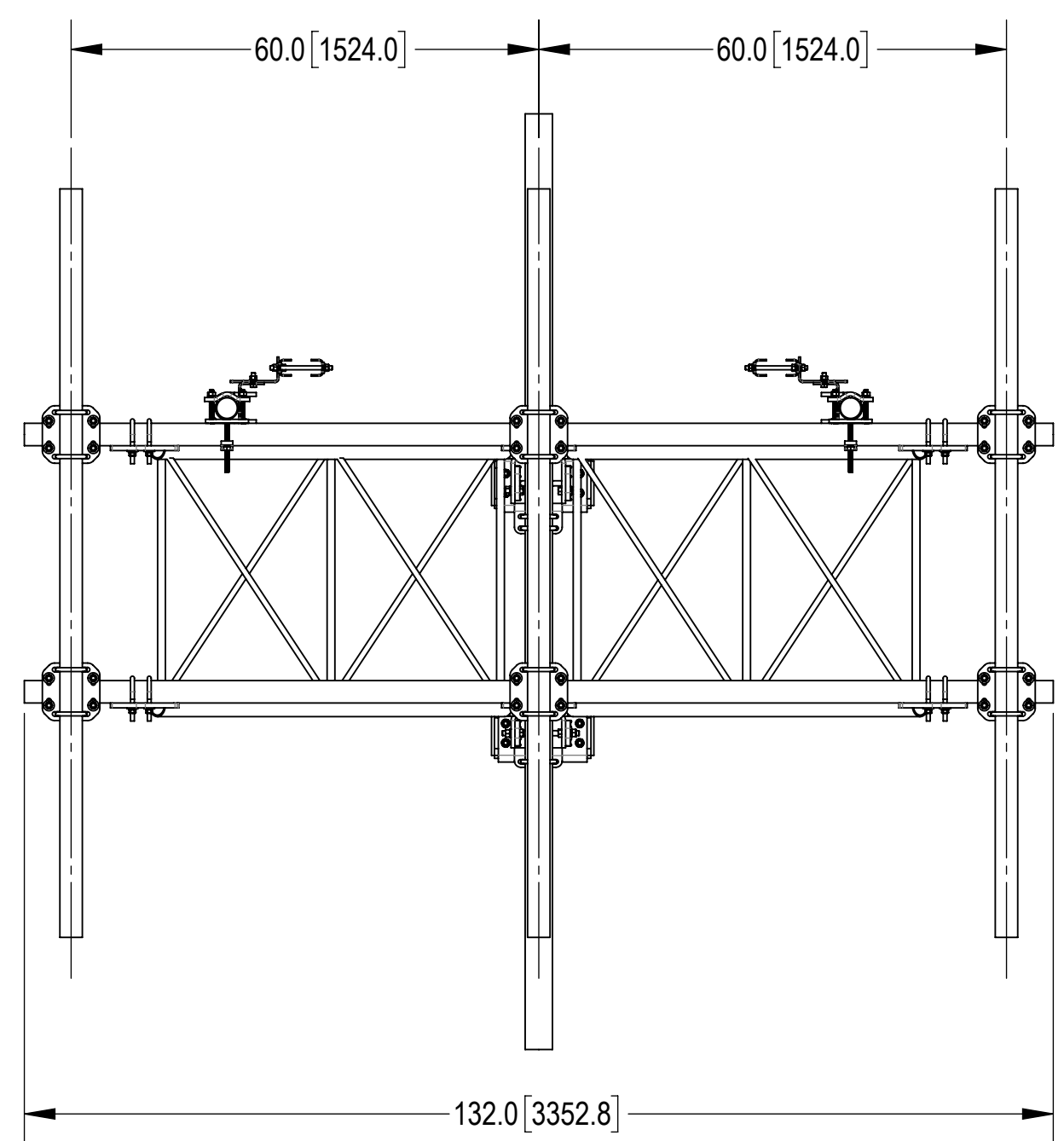


ALLOWABLE TIEBACK ANGLE
 ±15 DEGREES VERTICAL
 ±25 DEGREES HORIZONTAL



TOP

BOTTOM



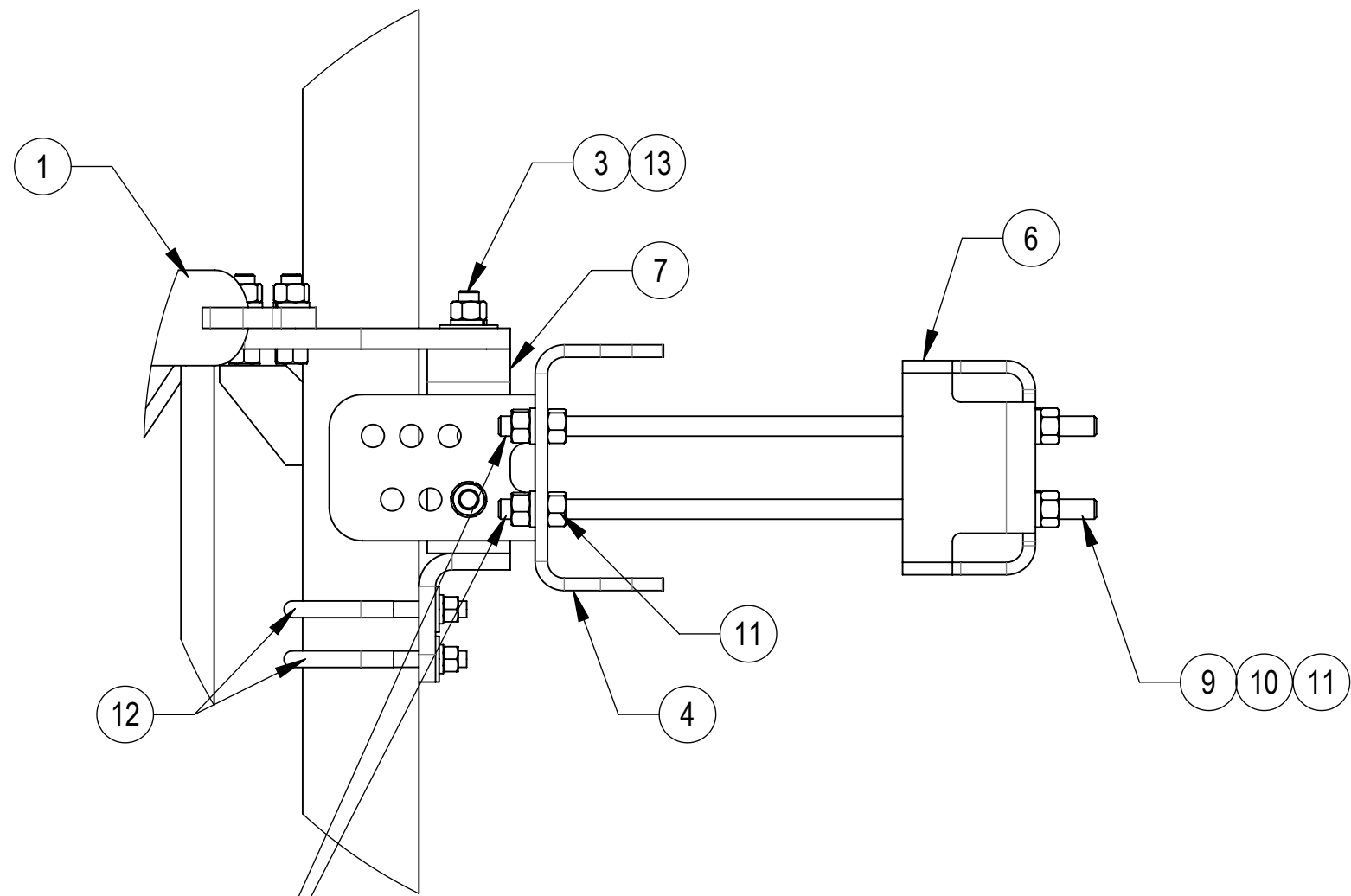
COMMSCOPE, INC. OF NORTH CAROLINA				
TITLE SECTOR FRAME 11' FACE,(3) 96" ANT				
SIZE C	SCALE 1:21	DOCUMENT NO. SFG23RHDXL11-3-96		
		DRAWING		SHEET
		VERSION	STATUS	REVISION
		00	RE	A
				3 OF 5

4

3

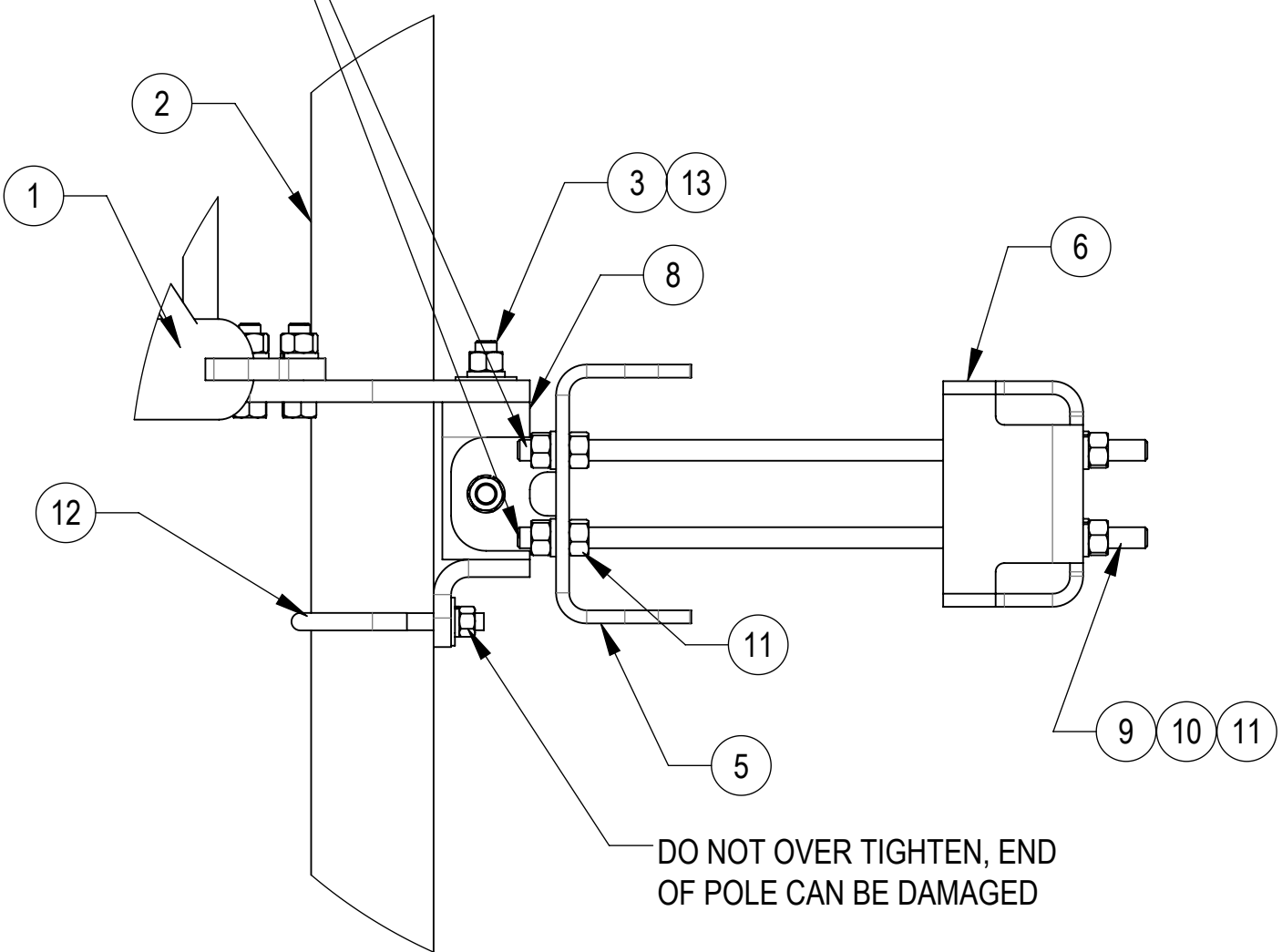
2

1



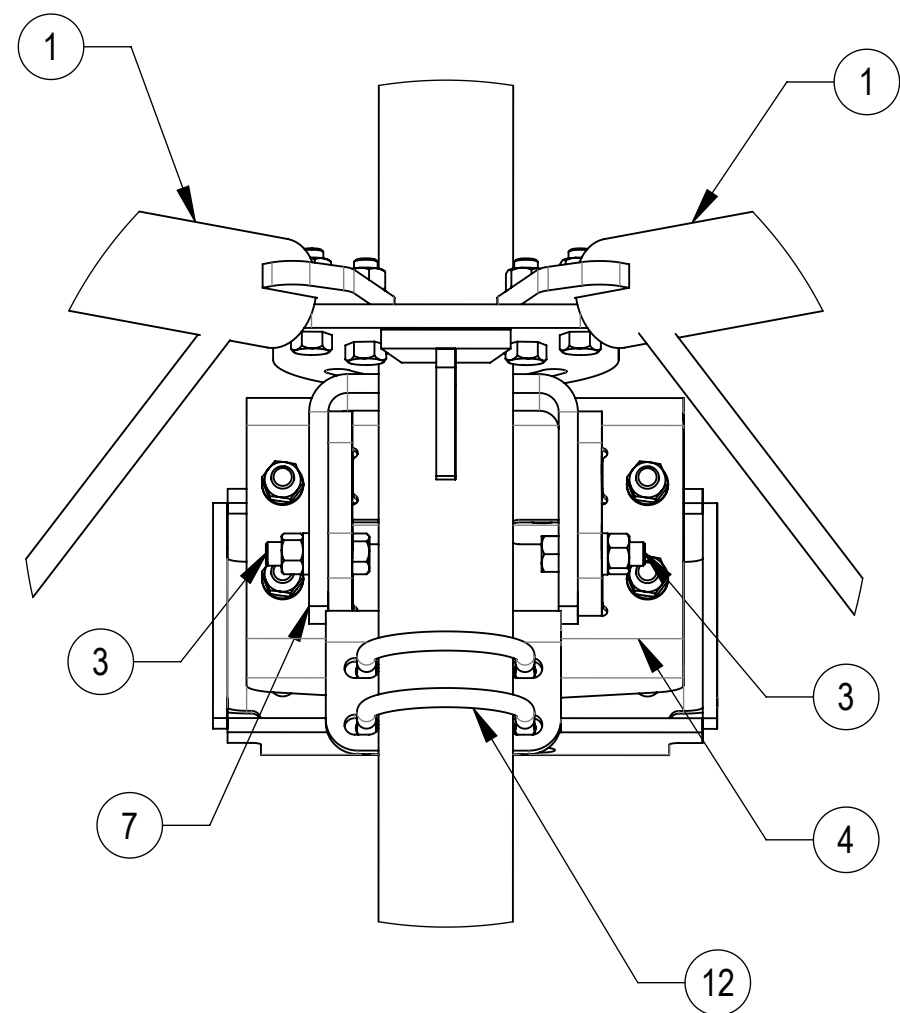
DETAIL D
SCALE 1 : 5

THE THREADED ROD CAN ONLY EXPOSE 4 TO 7 THREADS ON ONE SIDE OF THE BRACKET, WHICH IS TO PREVENT INTERFERENCE WITH THE SIDE BOLTS

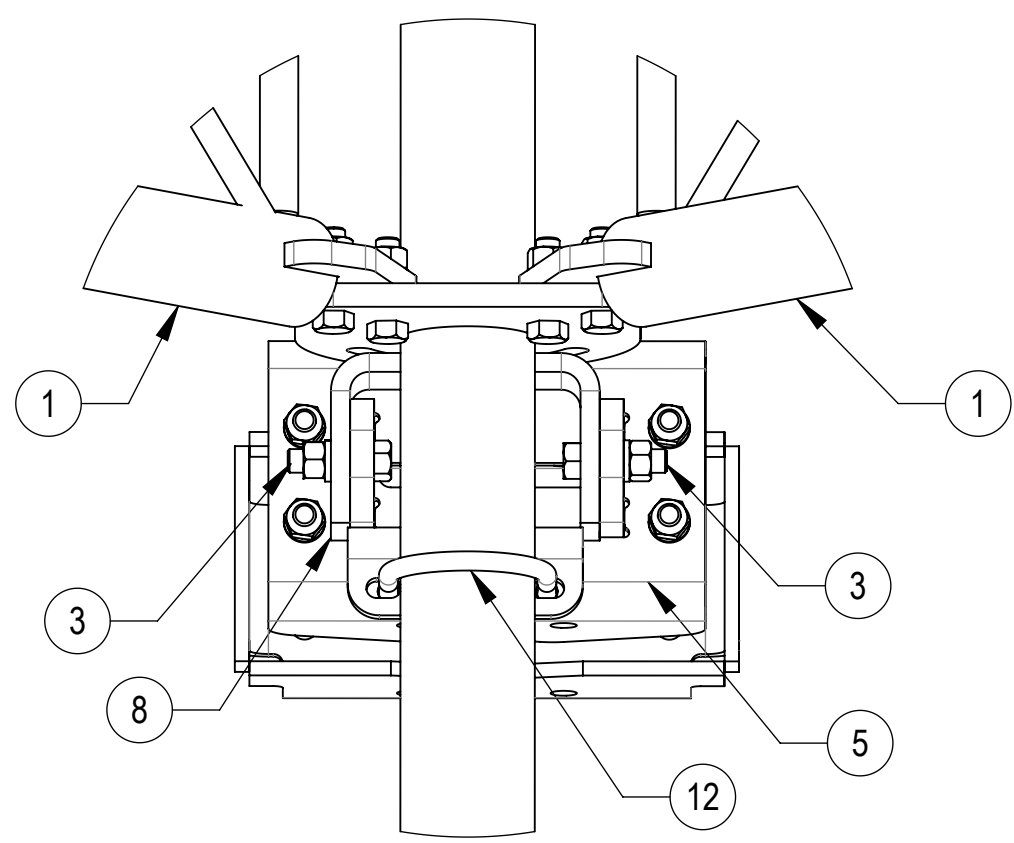


DETAIL E
SCALE 1 : 5

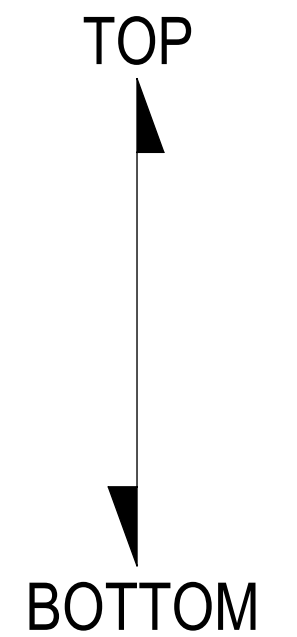
DO NOT OVER TIGHTEN, END OF POLE CAN BE DAMAGED


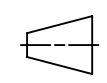


DETAIL ISO TOP ROTATED VIEW
SCALE 1 : 5



DETAIL ISO BOTTOM ROTATED VIEW
SCALE 1 : 5



COMMSCOPE, INC. OF NORTH CAROLINA				
TITLE SECTOR FRAME 11' FACE,(3) 96" ANT				
SIZE C	SCALE 1:21	DOCUMENT NO. SFG23RHDXL11-3-96		
 		DRAWING		SHEET 4 OF 5
		VERSION 00	STATUS RE	

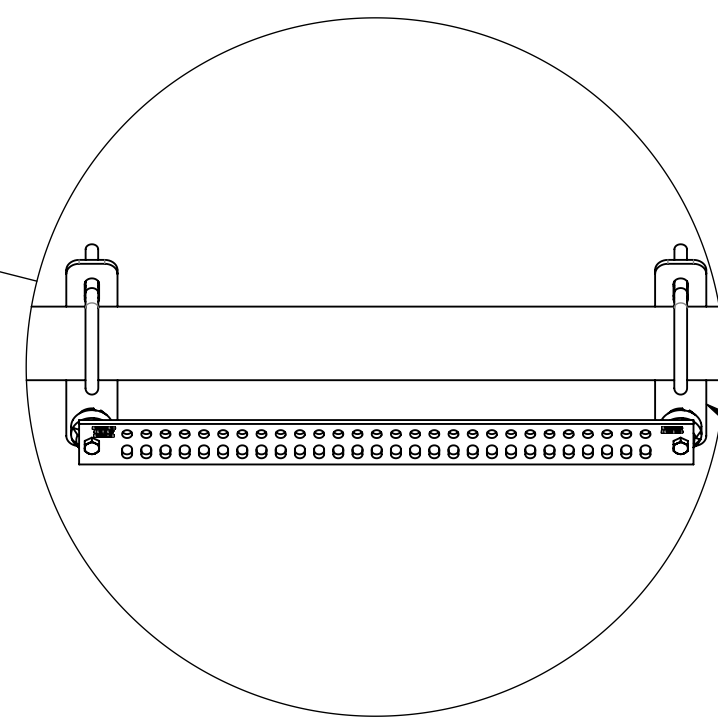
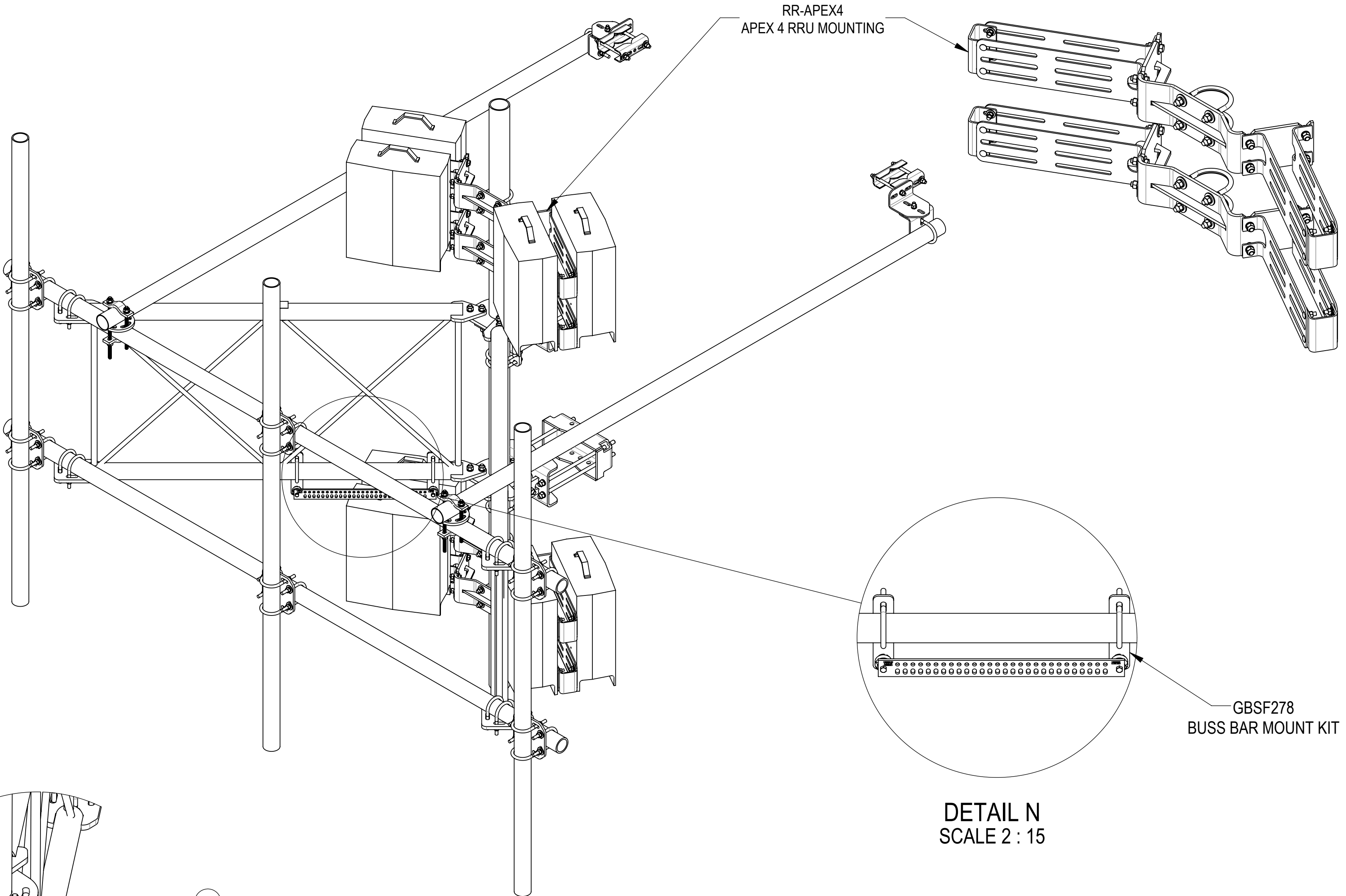
4

3

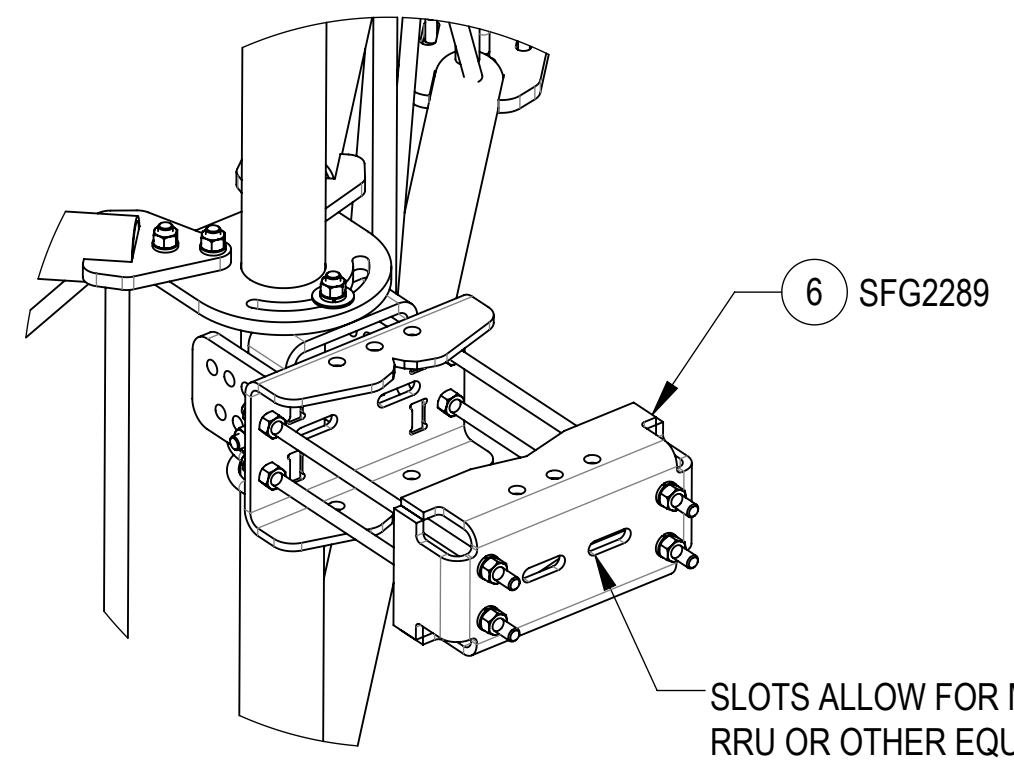
2

1

ACCESSORIES ORDERED SEPARATELY:



DETAIL N
SCALE 2 : 15



COMMSCOPE, INC. OF NORTH CAROLINA				
TITLE SECTOR FRAME 11' FACE,(3) 96" ANT				
SIZE C	SCALE 1:12	DOCUMENT NO. SFG23RHDXL11-3-96		
		DRAWING		SHEET
		VERSION 00	STATUS RE	REVISION A

4

3

2

1

D

D

C

C

B

B

A

A