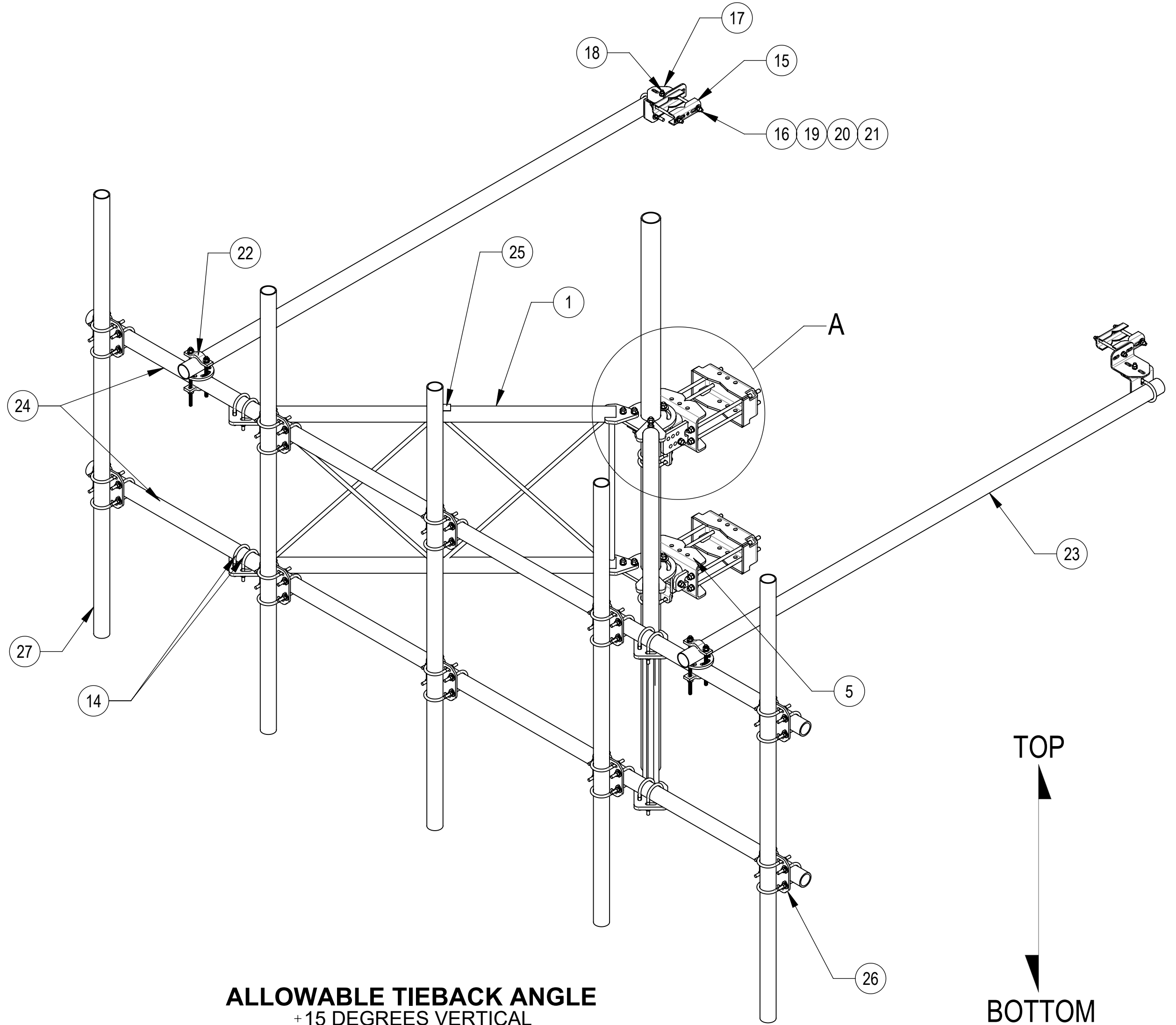
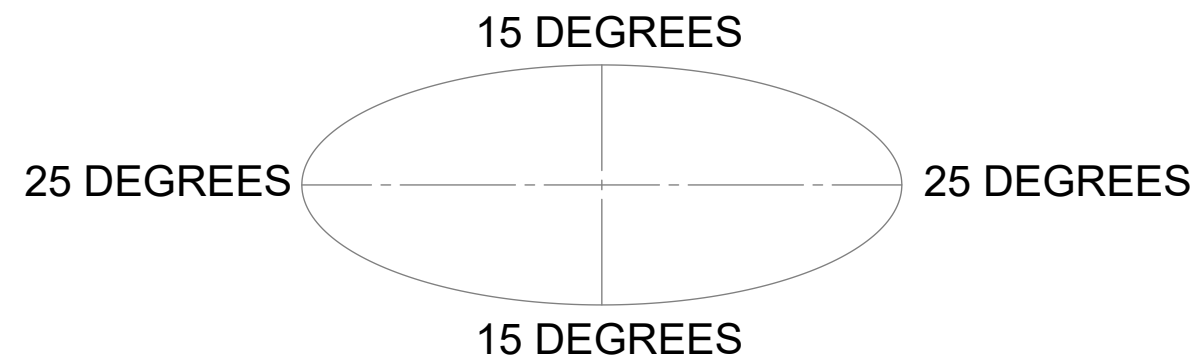


**DETAIL A**  
SCALE 1 : 5



**ALLOWABLE TIEBACK ANGLE**

+15 DEGREES VERTICAL  
+25 DEGREES HORIZONTAL



COMPONENT PART NUMBERS PROVIDED FOR ASSEMBLY PURPOSES;  
INDIVIDUAL COMPONENTS MAY BE SHIPPED AS PARTS WITHIN AN INCLUDED KIT.

ITEM	PART NO.	DESCRIPTION	QTY.	WEIGHT	NOTE NO.
1	SFG23180-00	ARM, STANDOFF, SFG23	2	120.07 LBS	
2	SFG2204	WELDMENT, BACK VERTICAL ARM MOUNT	1	97.29 LBS	
3	GB-05225	5/8" X 2-1/4" GALV BOLT KIT	14	0.28 LBS	
4	SFG2380	WELDMENT, HD, TOP TAPER BRACKET	1	22.78 LBS	
5	SFG2381	WELDMENT, HD, LOWER TOWER LEG BRACKET	1	17.42 LBS	
6	SFG2289	G2 RRU BACK CLAMP, HD	2	18.65 LBS	
7	SFG2386	WELDMENT, SFG2 AZIMUTH BRACKET	1	10.07 LBS	
8	SFG2397-00	WELDMENT, G23 AZIMUTH BRACKET	1	7.94 LBS	
9	MT-382-18	5/8" X 18" THREADED ROD	8	1.43 LBS	
10	GWL-05	5/8" GALV LOCK WASHER	16	0.03 LBS	
11	GN-05	5/8" GALV HEX NUT	24	0.08 LBS	
12	GUB-4355	1/2" X 3-5/8" X 5" GALV U-BOLT	3	0.71 LBS	
13	GWF-05	5/8" GALV FLAT WASHER, 1.7OD	2	0.06 LBS	
14	GUB-4352	1/2" X 3" X 5-1/4" GALV U-BOLT	10	0.71 LBS	
15	SAB01	FORMED CLAMP	4	1.35 LBS	
16	MT-379-8	1/2" X 8" GALV THREADED ROD	4	0.45 LBS	
17	XAU01	ANGLE, CROSSOVER, 1.9-3.5" X 1.9-3.5" OD	4	2.98 LBS	
18	GB-04145	1/2" X 1-1/2" GALV BOLT KIT	2	0.13 LBS	
19	GWF-04	1/2" GALV FLAT WASHER	8	0.04 LBS	
20	GWL-04	1/2" GALV LOCK WASHER	10	0.01 LBS	
21	GN-04	1/2" GALV HEX NUT	10	0.04 LBS	
22	XP-R	CROSSOVER PLATE, ROUND, UP TO 3.5" OD	2	6.20 LBS	
23	MT546120120	PIPE, 2.875"OD X 120"	2	35.44 LBS	
24	MT546180276	PIPE, 2.875"OD X 180"	2	115.33 LBS	
25	SFG23100	LABEL, SFG23RHDXL	1	0.04 LBS	
26	XP-2525	CROSSOVER PLATE KIT, 2-7/8 OD X 2-7/8 OD	10	8.37 LBS	
27	MT54696	PIPE, 2.875"OD X 96"	5	45.96 LBS	

COMMSCOPE, INC. OF NORTH CAROLINA

TITLE  
SECTOR FRAME 15' FACE,(5) 96" ANT

SIZE C SCALE 1:16 DOCUMENT NO. SFG23RHDXL15-5-96

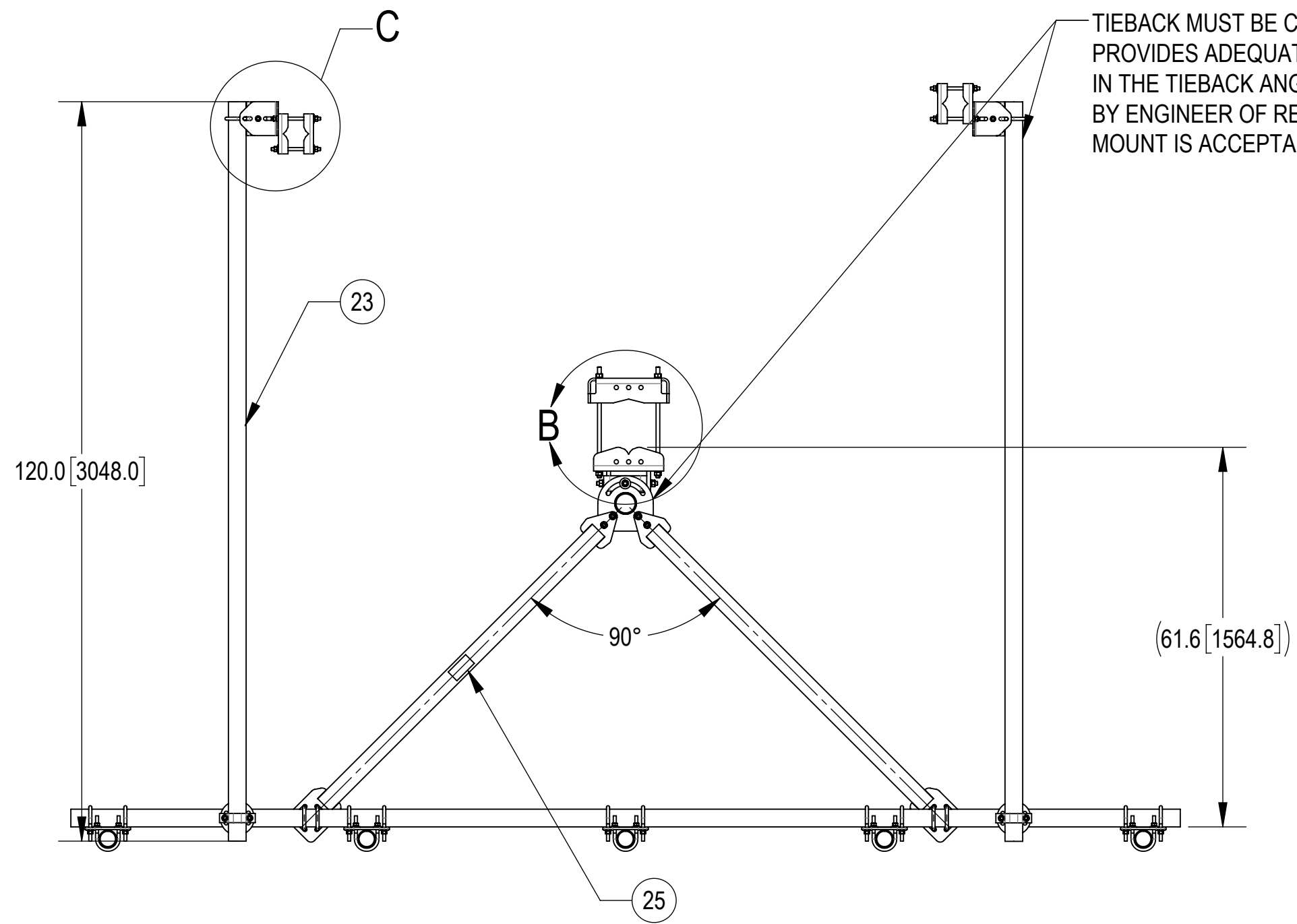
DRAWING			SHEET 2 OF 5
VERSION	STATUS	REVISION	
00	RE	A	

4

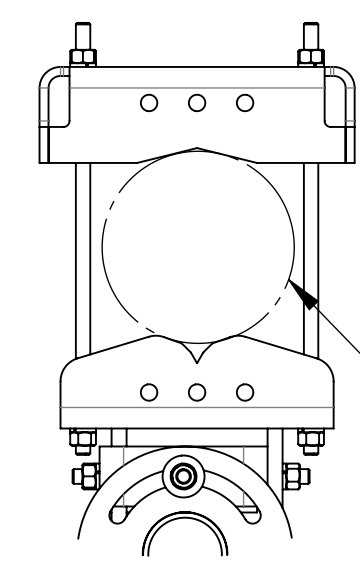
3

2

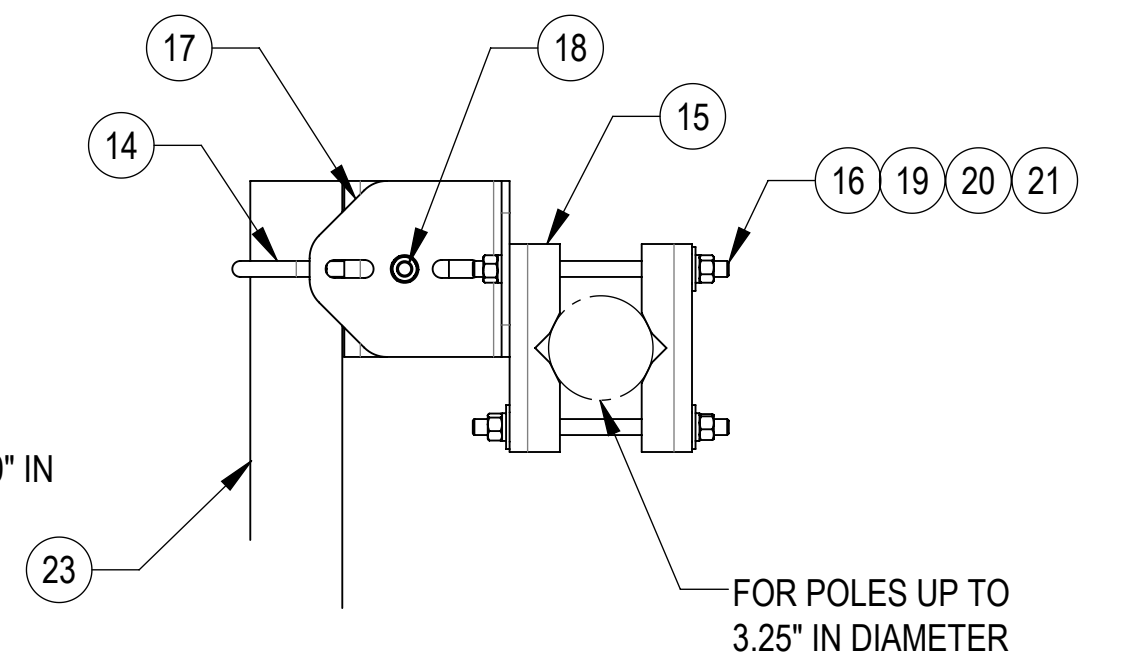
1



TIEBACK MUST BE CONNECTED TO A RIGID MEMBER THAT PROVIDES ADEQUATE SUPPORT WITHIN THE LIMITS NOTED IN THE TIEBACK ANGLE RANGE DETAIL. UNLESS APPROVED BY ENGINEER OF RECORD, SPINE STEM OF NEIGHBORING MOUNT IS ACCEPTABLE.

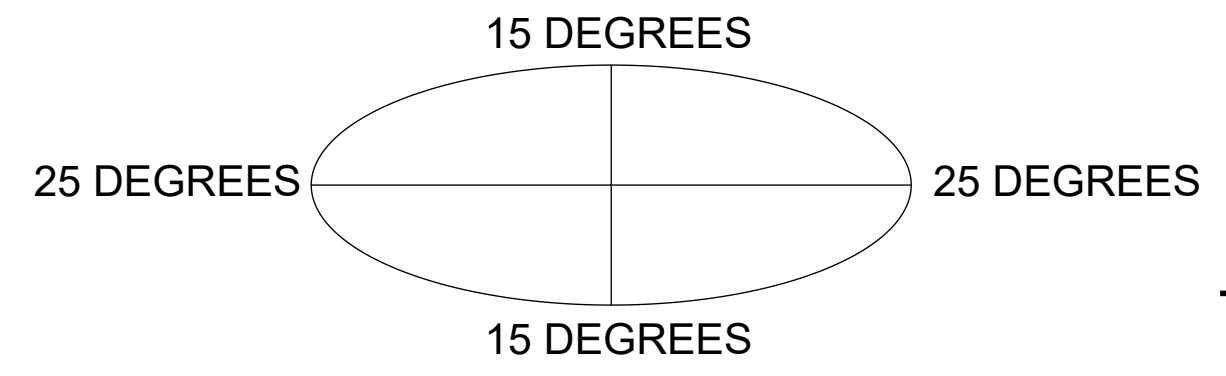


DETAIL B  
SCALE 1 : 8



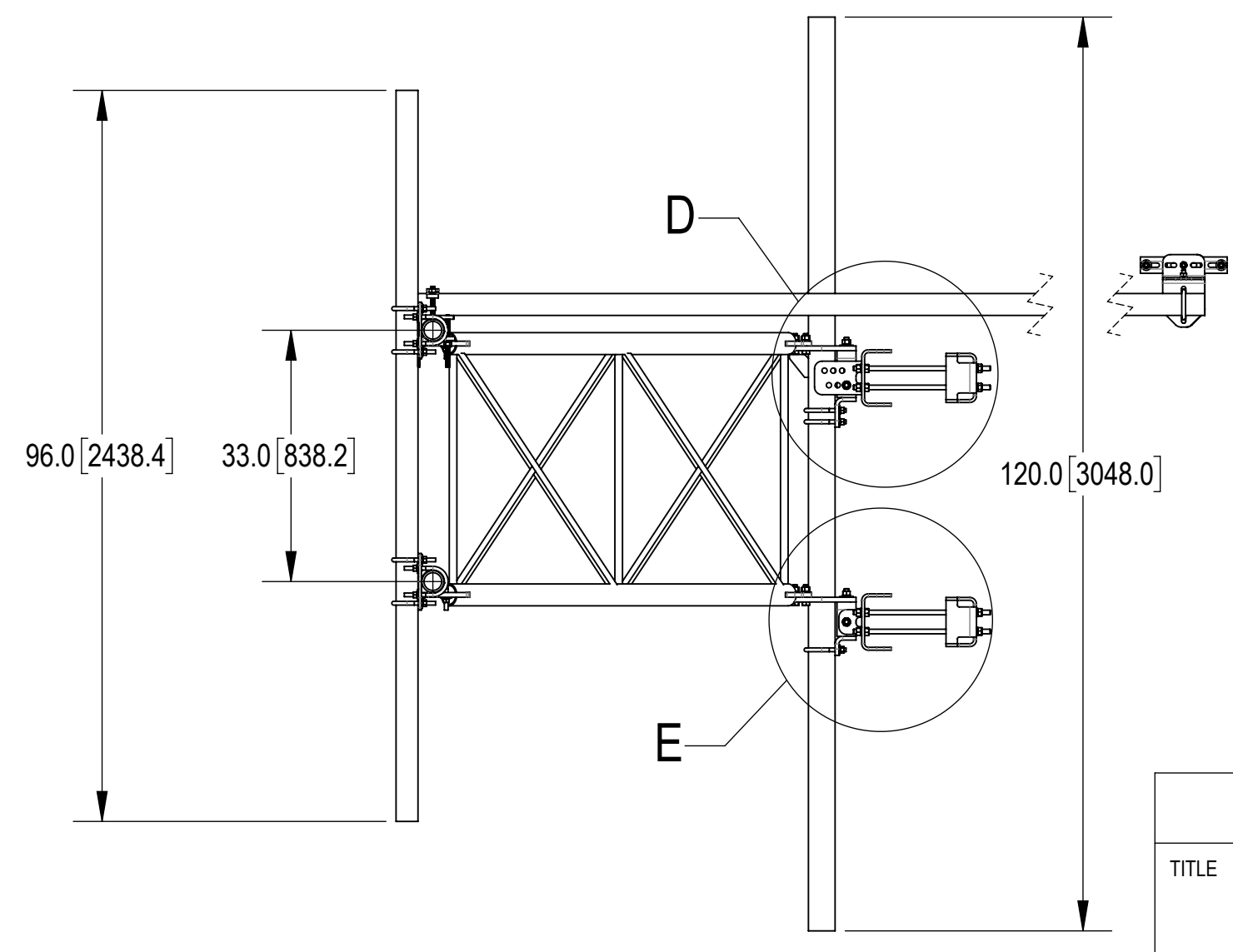
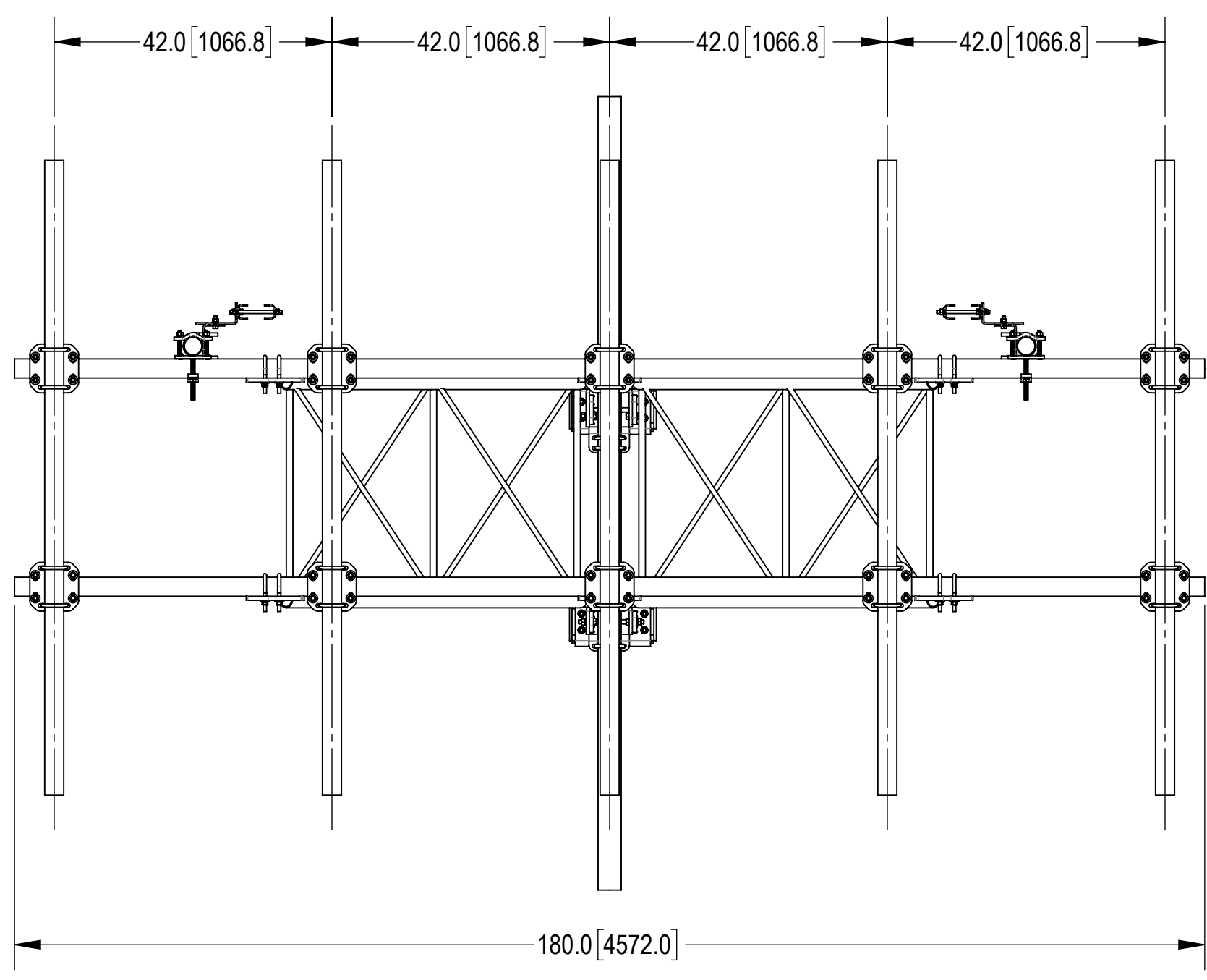
DETAIL C  
SCALE 1 : 6

**ALLOWABLE TIEBACK ANGLE**  
 ± 15 DEGREES VERTICAL  
 ± 25 DEGREES HORIZONTAL



TOP

BOTTOM



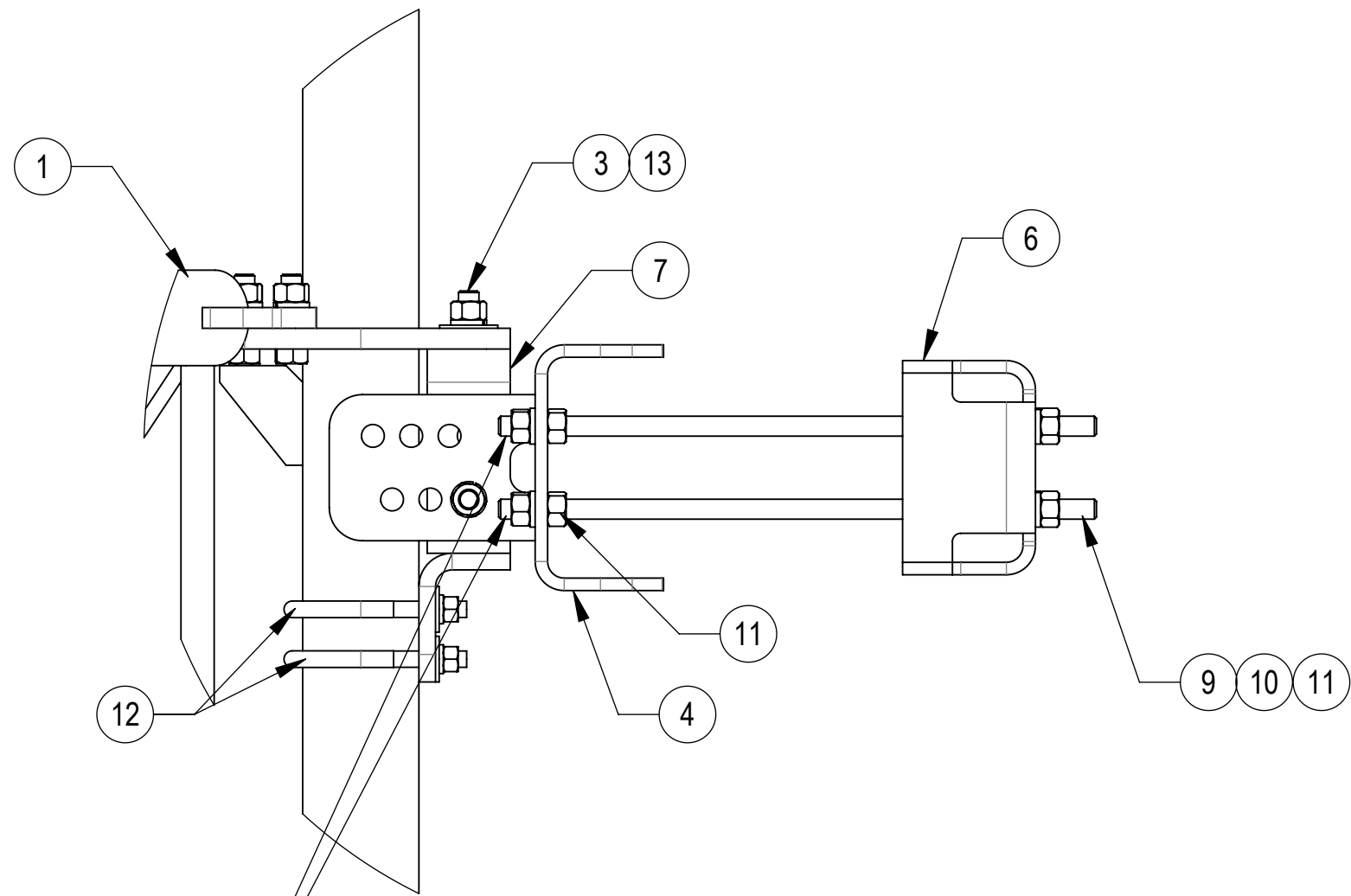
COMMSCOPE, INC. OF NORTH CAROLINA				
TITLE				
SECTOR FRAME 15' FACE,(5) 96" ANT				
SIZE	SCALE	DOCUMENT NO.		
C	1:21	SFG23RHDXL15-5-96		
		DRAWING		SHEET
		VERSION	STATUS	REVISION
		00	RE	A
				3 OF 5

4

3

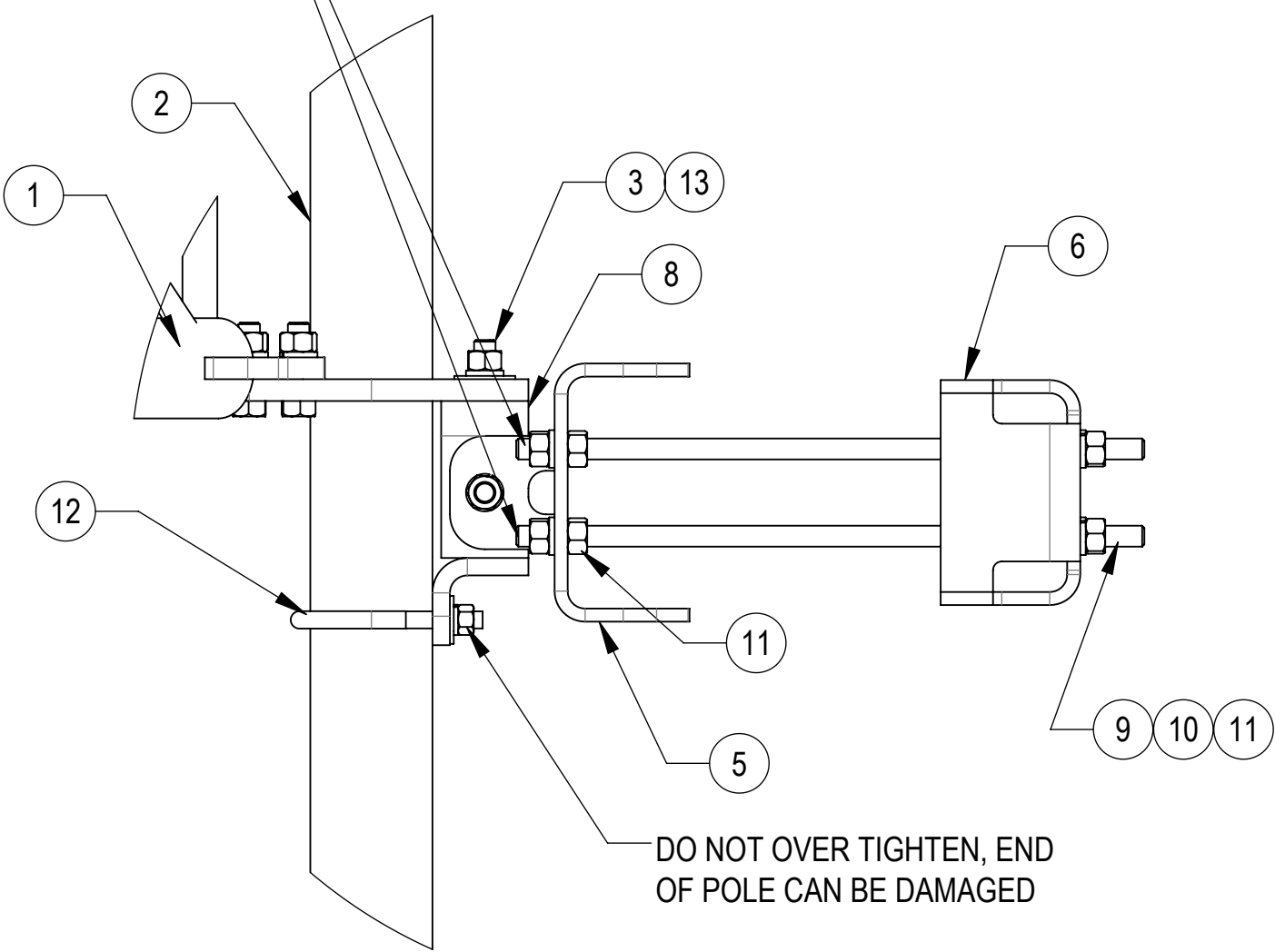
2

1



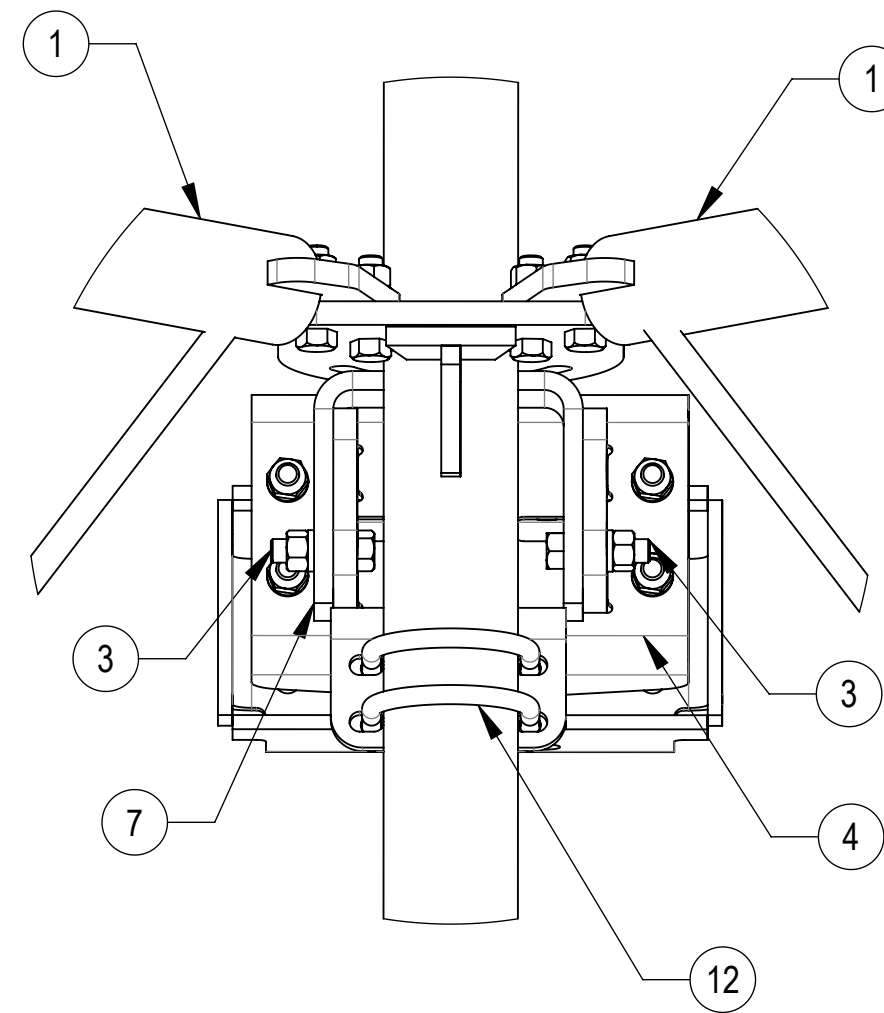
**DETAIL D**  
SCALE 1 : 5

THE THREADED ROD CAN ONLY EXPOSE 4 TO 7 THREADS ON ONE SIDE OF THE BRACKET, WHICH IS TO PREVENT INTERFERENCE WITH THE SIDE BOLTS

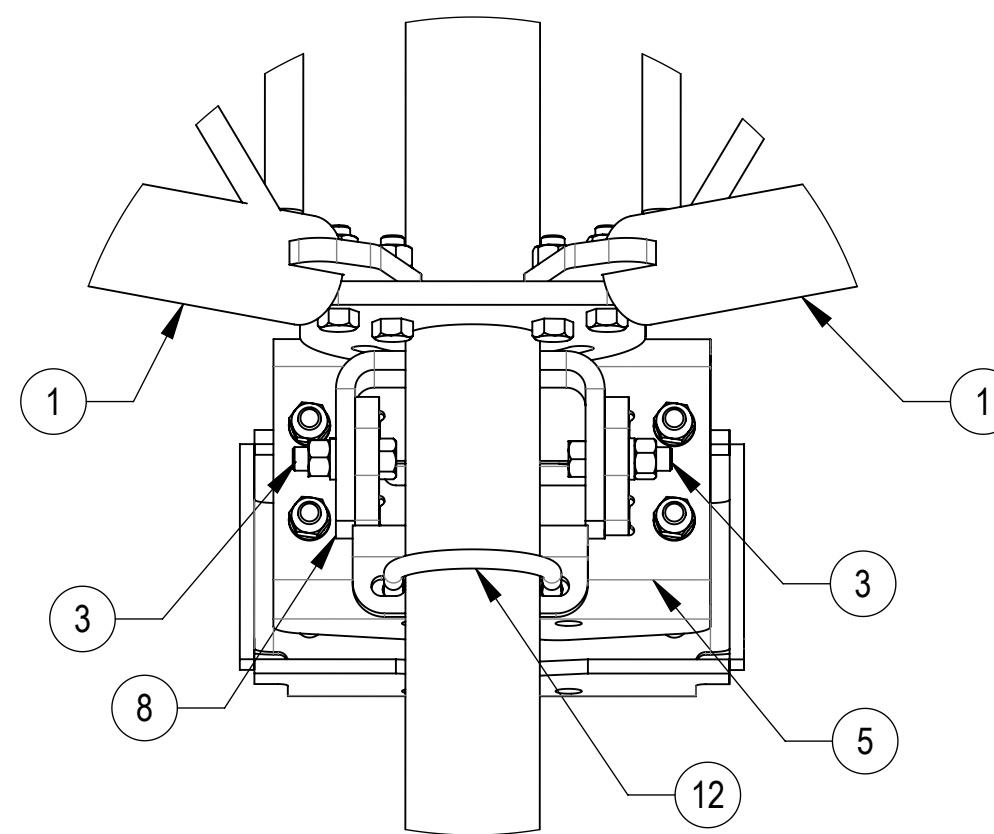


**DETAIL E**  
SCALE 1 : 5

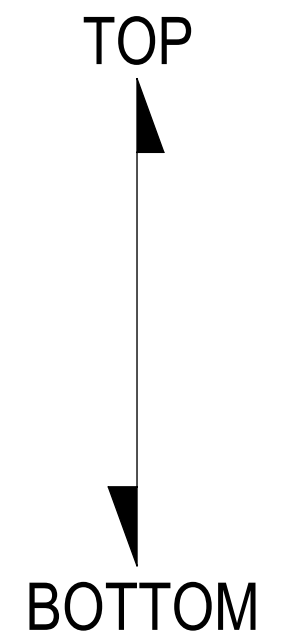
DO NOT OVER TIGHTEN, END OF POLE CAN BE DAMAGED



**DETAIL ISO TOP ROTATED VIEW**  
SCALE 1 : 5



**DETAIL ISO BOTTOM ROTATED VIEW**  
SCALE 1 : 5



COMMSCOPE, INC. OF NORTH CAROLINA				
TITLE SECTOR FRAME 15' FACE,(5) 96" ANT				
SIZE <b>C</b>	SCALE <b>1:21</b>	DOCUMENT NO. SFG23RHDXL15-5-96		
		DRAWING		SHEET
		VERSION	STATUS	REVISION
		00	RE	A
				4 OF 5

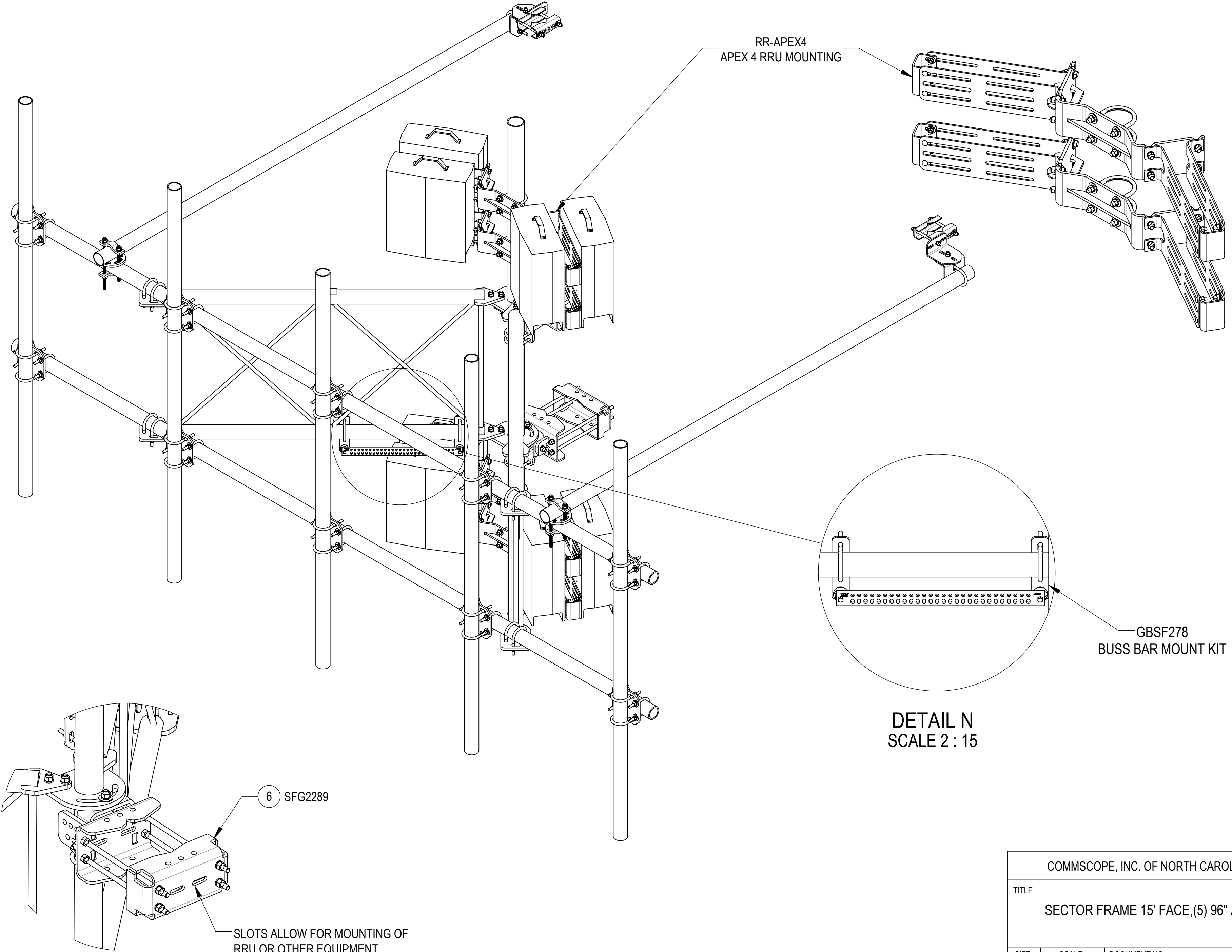
4

3

2

1

ACCESSORIES ORDERED SEPARATELY:



COMMSCOPE, INC. OF NORTH CAROLINA				
TITLE SECTOR FRAME 15' FACE,(5) 96" ANT				
SIZE <b>C</b>	SCALE <b>1:12</b>	DOCUMENT NO. <b>SFG23RHDXL15-5-96</b>		
		DRAWING		SHEET
		VERSION	STATUS	REVISION
		00	RE	A
				5 OF 5

4

3

2

1