

4

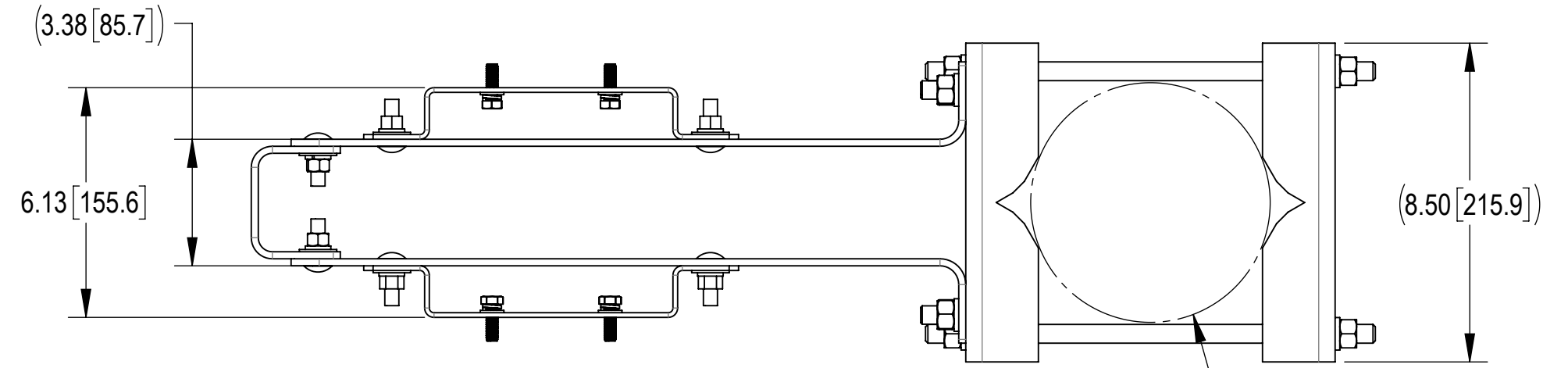
3

2

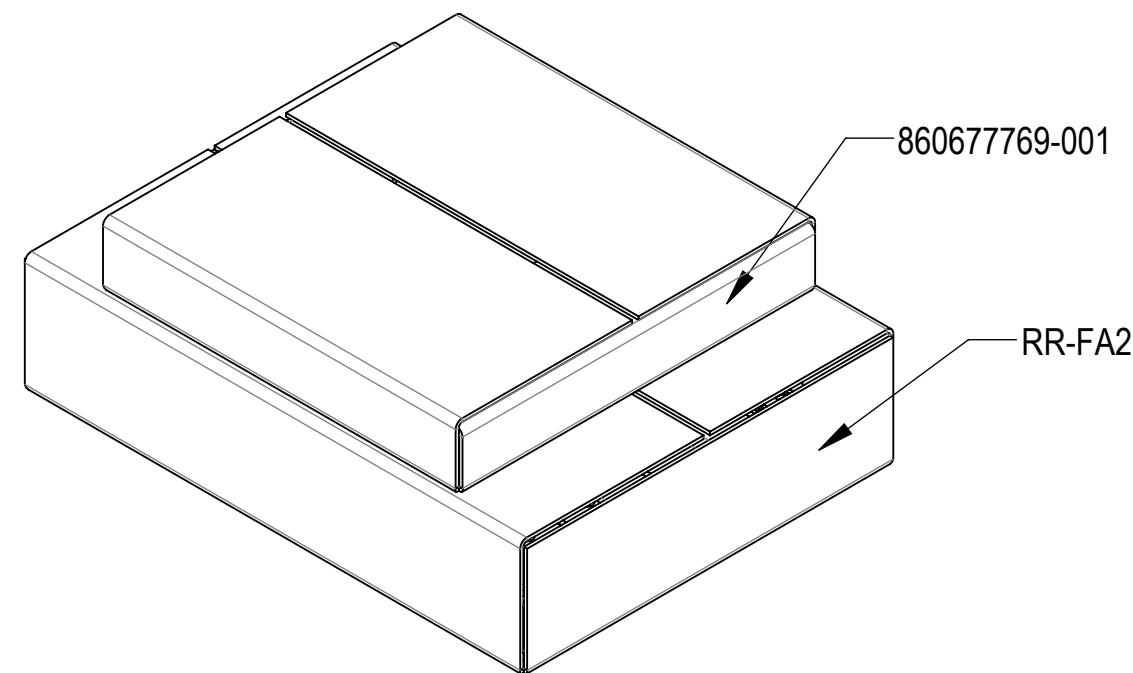
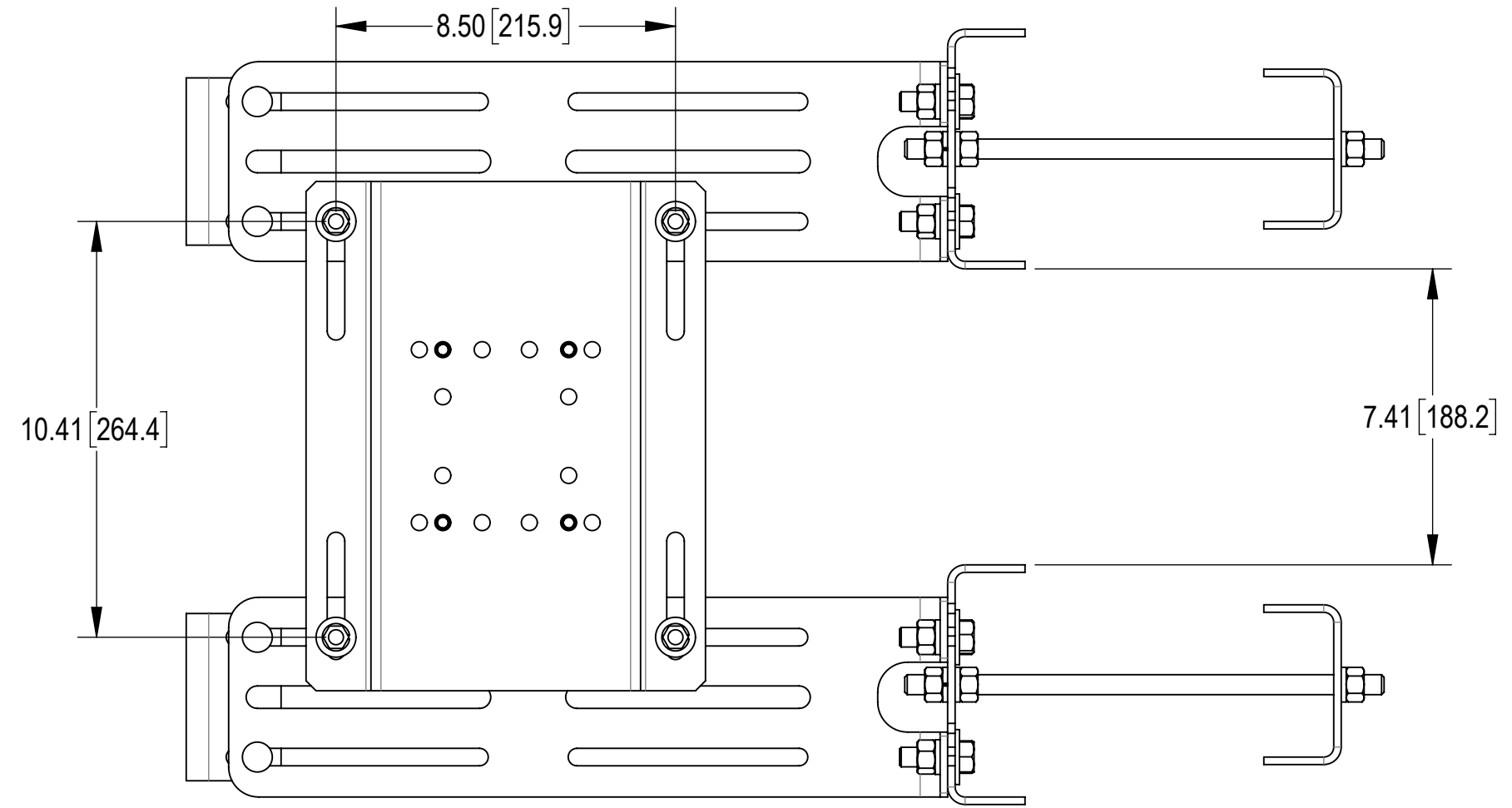
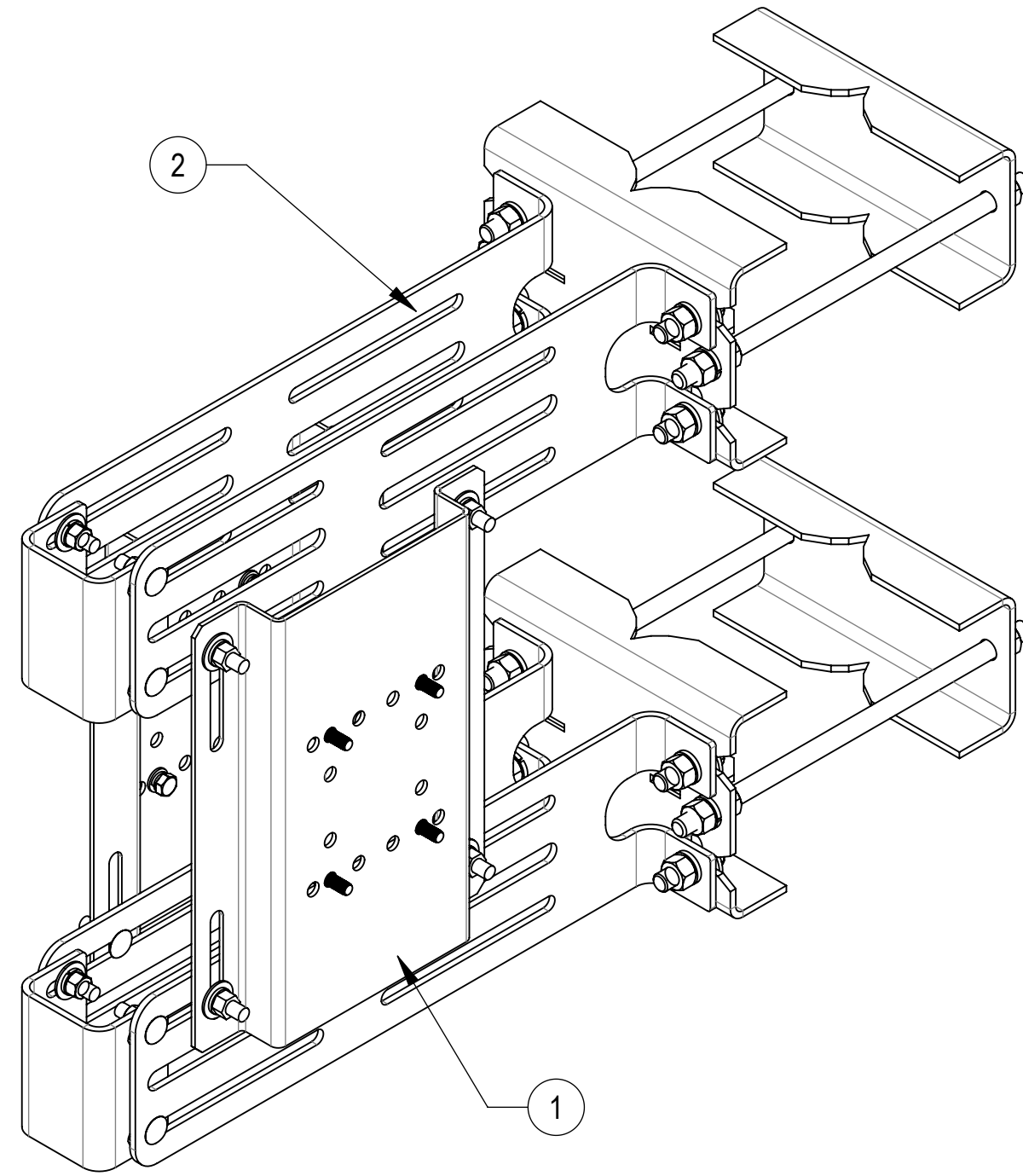
1

- 1.0 GENERAL NOTES
- 1.1 ALL METRIC DIMENSIONS ARE IN BRACKETS [X.X]
- 1.2 FOR PATENT INFO: <https://www.cs-pat.com>
- 2.0 DESIGN NOTES
- 2.1 ANY HAZARDS OR OBSTRUCTIONS TO THE CLIMBING FACILITY AND SAFETY CLIMB MUST BE IDENTIFIED PRIOR TO INSTALLING THE APPURTENANCE. ADDITIONAL PRODUCTS MAY BE REQUIRED TO MAINTAIN THE INTEGRITY OF THE SAFETY CLIMB. DURING INSTALLATION, TEMPORARY AND/OR PERMANENT PRECAUTIONARY MEASURES SHOULD BE TAKEN TO PRESERVE THE CLIMBING FACILITY AND/OR SAFETY CLIMB.
- 2.2 THE "RR-FA2-A" IS COMPATIBLE WITH SAMSUNG, NOKIE, AND ERICSSON ERS & LEGACY RADIOS.
- 3.0 MANUFACTURING/SPECIAL REQUIREMENTS
- 3.1 TIGHTEN ALL BOLTS SECURING FLAT PLATES BY THE TURN-OF-NUT METHOD. TIGHTEN ALL U-BOLTS USING TURN-OF-NUT METHOD WITH ATTENTION TO LEAVE EQUAL DISTANCE AND EQUAL FORCE ON EACH LEG OF THE U-BOLT.
- 4.0 TEST
- 5.0 PACKAGING
- 5.1 PACKAGING SHALL MEET COMMSCOPE REQUIREMENTS PER DOCUMENT IS-PL-3005.
- 5.2 PRINTED DOCUMENT TO BE PLACED INSIDE POLYBAG AND THEN IN SHIPPING CONTAINER.
- 5.3 EXTRA HARDWARE MAY BE SUPPLIED, BAGGED AND SHIPPED.

REVISIONS			
REV.	DESCRIPTION	DATE	APPROVED
A	INITIAL RELEASE	JL1183 15MAR24	YZ1080 40191193CMO
B	UPDATED FOR 860677769-001 CHANGE	YMENG 26APR24	YZ1080 40193886CMO



FOR POLES UP TO 5.6" IN DIAMETER  
FOR 90 DEGREE ANGLES UP TO 4.5"  
FOR 60 DEGREE ANGLES UP TO 6.0"



PACKAGE

DENSITY	89.8759	lbs/in <sup>3</sup>
MASS	89.8759	lbs
VOLUME	318.5684	in <sup>3</sup>
SURFACE AREA	4042.6491	in <sup>2</sup>
HEIGHT	16.4"	
LENGTH	30.0"	
WIDTH	8.5"	

COMMSCOPE, INC. OF NORTH CAROLINA									
TOLERANCES					SAP MATERIAL MASTER				
0 PLACE .X[X] ± 0.2[6.3]		2 PLACE .XX[X] ± 0.060[1.5]			RR-FA2-A				
1 PLACE .X[X] ± 0.12[3.0]		ANGLES ± 2°			FINISH				
MATERIAL					RR-FA2-A				
UNLESS OTHERWISE SPECIFIED DIMENSIONS ARE IN INCHES INTERPRET PER ANSI Y 14.5M-1994	NAME	DATE	TITLE						
	CE JL1183	15MAR24	B2B FAST ACCESS RRU MOUNT						
	RW YMENG	04/26/2024	SCALE 1:8						
	AD YZ1080	04/27/2024	DOCUMENT NO. RR-FA2-A						
	RE YMENG	05/05/2024	ECN 40193886CMO						
SIZE	Auth Group	INSL	MODEL			DRAWING			
C			VERSION	STATUS	REVISION	VERSION	STATUS	REVISION	SHEET
			01	RE	B	01	RE	B	1 OF 3

4

3

2

1

4

3

# INSTALLATION WITH 4455 RADIO/AIR

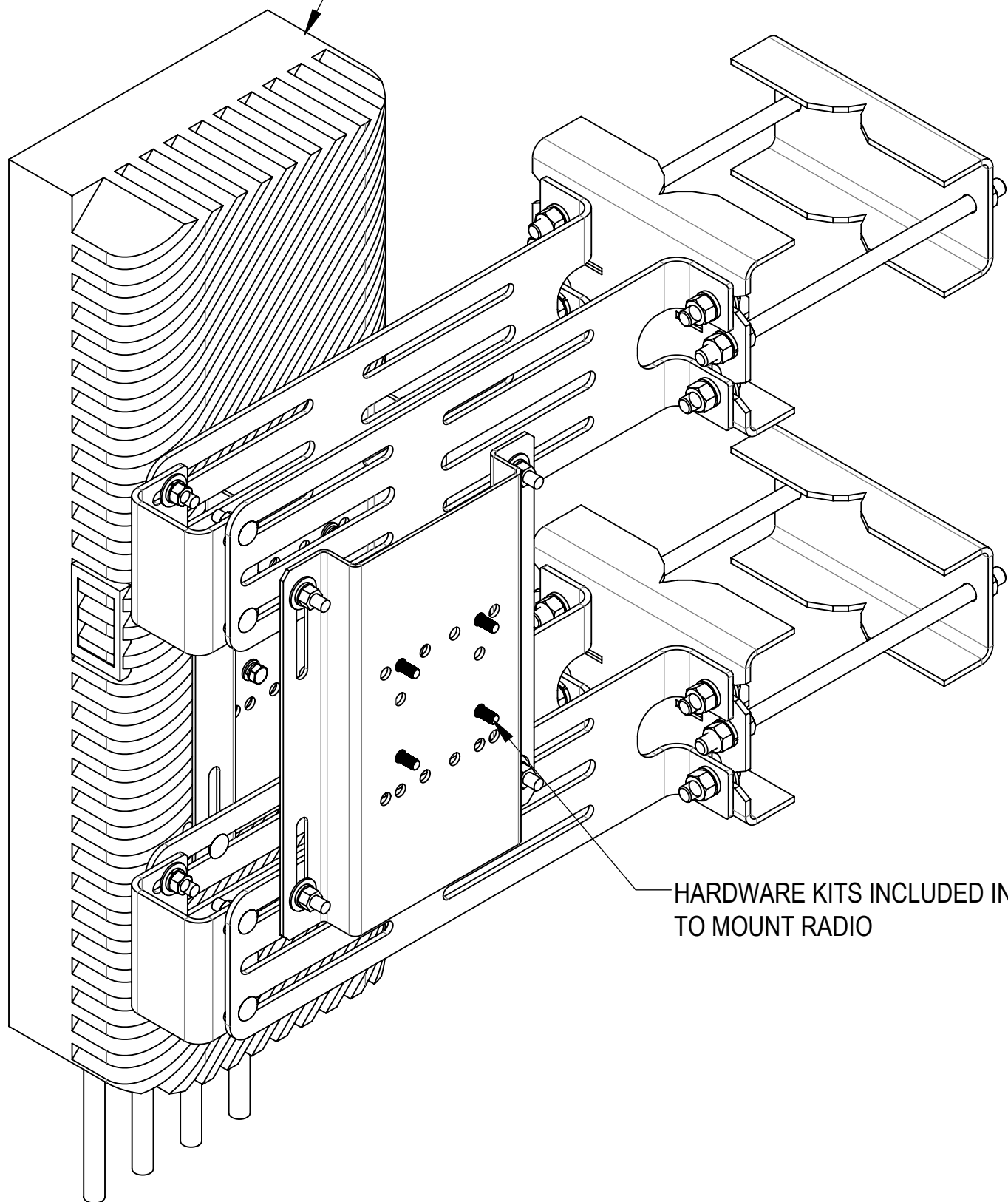
D

C

B

A

RRU4455 SHOWN FOR REFERENCE  
(RRUs ORDERED SEPARATELY)



HARDWARE KITS INCLUDED IN 860677769-001  
TO MOUNT RADIO

(HIDE ONE SIDE OF THE RRU FOR CLARITY)

MOUNT BRACKET MTM101721-510-00 IN 860677769-001 TO RRU FIRST,  
THEN ATTACH TO RR-FA2

4

3

2

1

# INSTALLATION WITH 4435/4460 RADIO, 4435/1281/5322 AIR

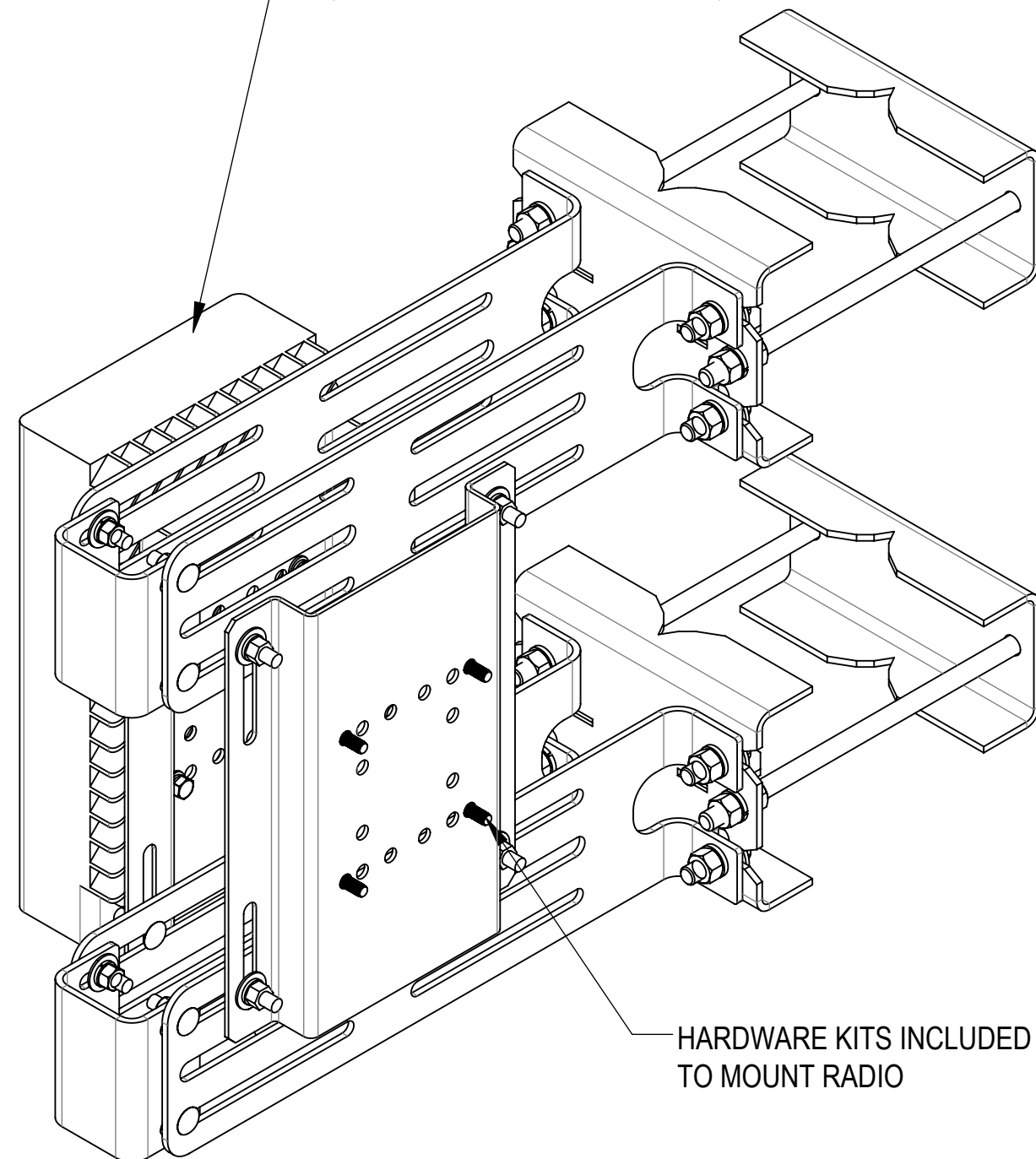
D

C

B

A

RRU4435 SHOWN FOR REFERENCE  
(RRUs ORDERED SEPARATELY)



HARDWARE KITS INCLUDED IN 860677769-001  
TO MOUNT RADIO

(HIDE ONE SIDE OF THE RRU FOR CLARITY)

MOUNT BRACKET MTM101721-510-00 IN 860677769-001 TO RRU FIRST,  
THEN ATTACH TO RR-FA2

2

1

COMMSCOPE, INC. OF NORTH CAROLINA				
TITLE B2B FAST ACCESS RRU MOUNT				
SIZE C	SCALE 1:8	DOCUMENT NO. RR-FA2-A		
		DRAWING		SHEET
		VERSION 01	STATUS RE	REVISION B
				2 OF 3

4

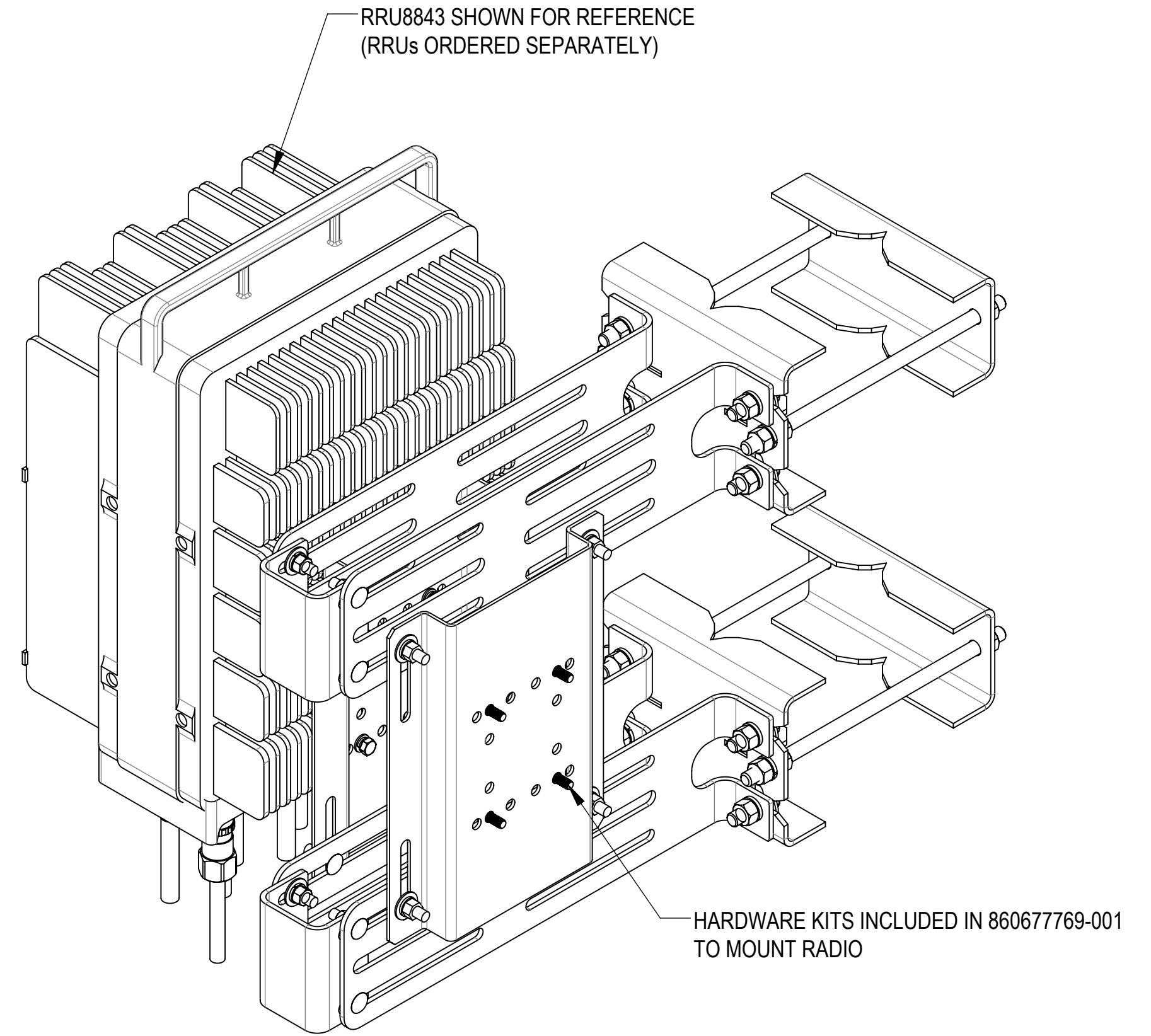
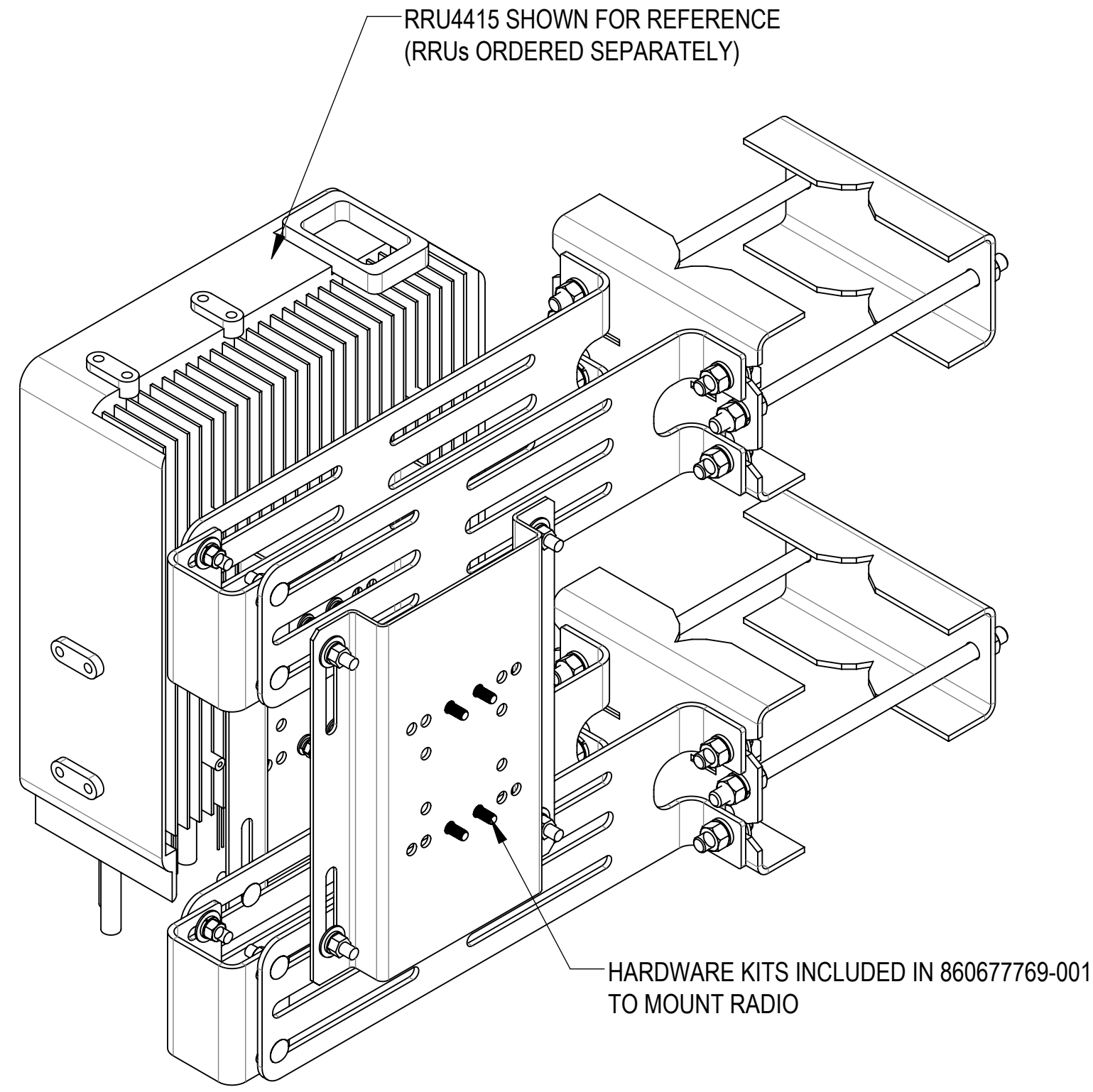
3

2

1

# INSTALLATION WITH 4415/4426/4478 RADIO, 6308 POWER

# INSTALLATION WITH 4449/4467/4490/4890/8843/8863 RADIO



(HIDE ONE SIDE OF THE RRU FOR CLARITY)

(HIDE ONE SIDE OF THE RRU FOR CLARITY)

MOUNT BRACKET MTM101721-510-00 IN 860677769-001 TO RRU FIRST, THEN ATTACH TO RR-FA2

MOUNT BRACKET MTM101721-510-00 IN 860677769-001 TO RRU FIRST, THEN ATTACH TO RR-FA2

COMMSCOPE, INC. OF NORTH CAROLINA				
TITLE B2B FAST ACCESS RRU MOUNT				
SIZE C	SCALE 1:8	DOCUMENT NO. RR-FA2-A		
		DRAWING		SHEET
		VERSION 01	STATUS RE	REVISION B
				3 OF 3

4

3

2

1