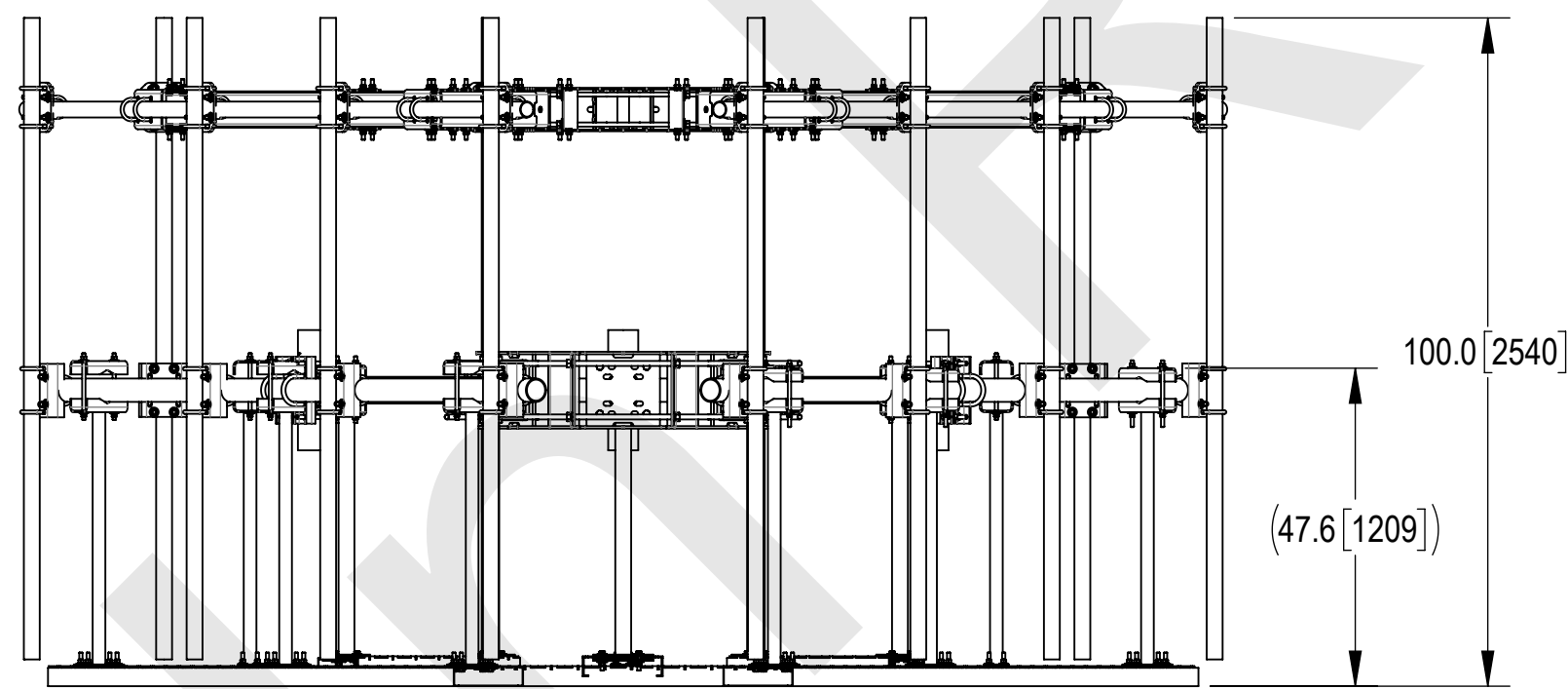
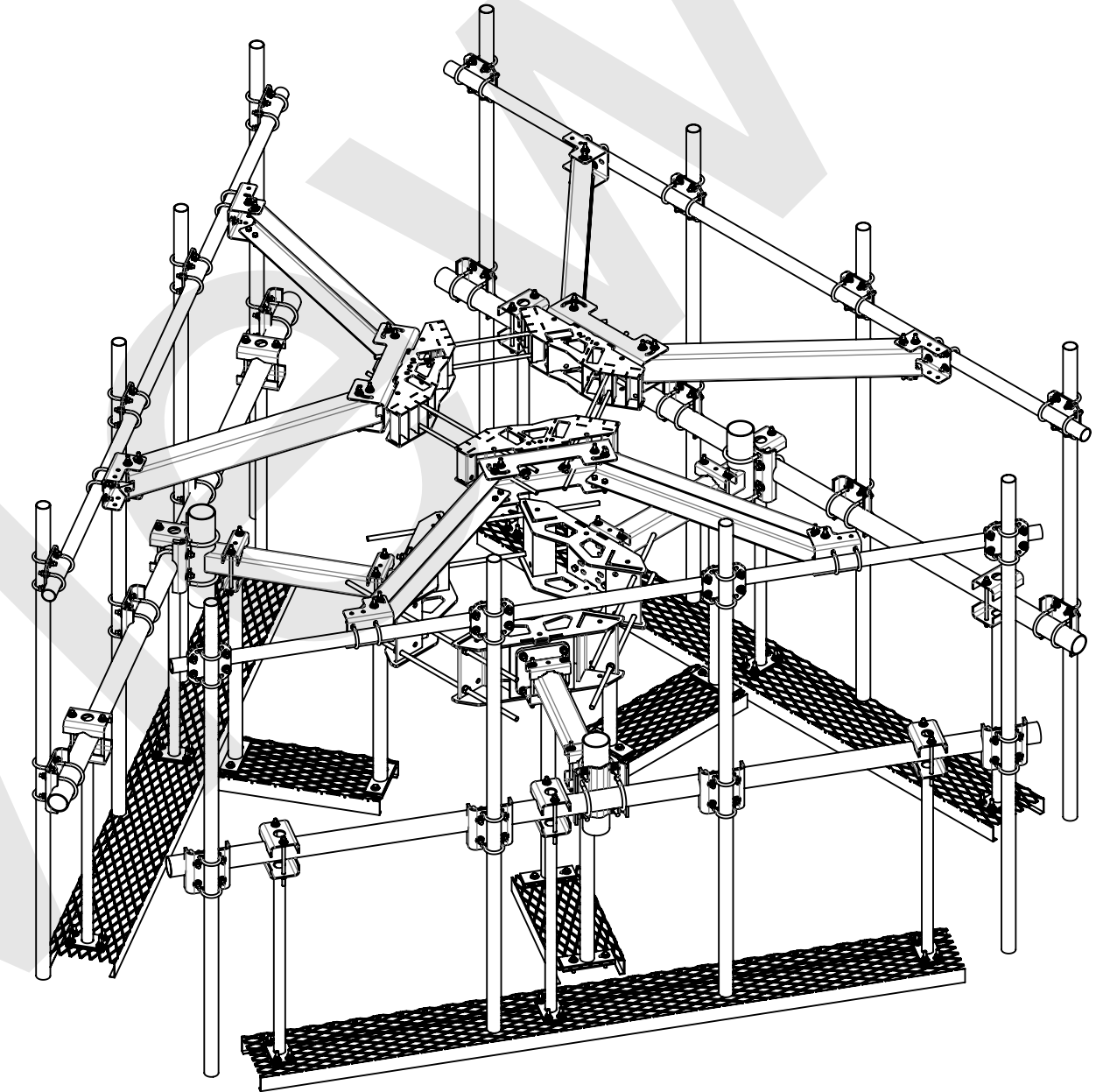
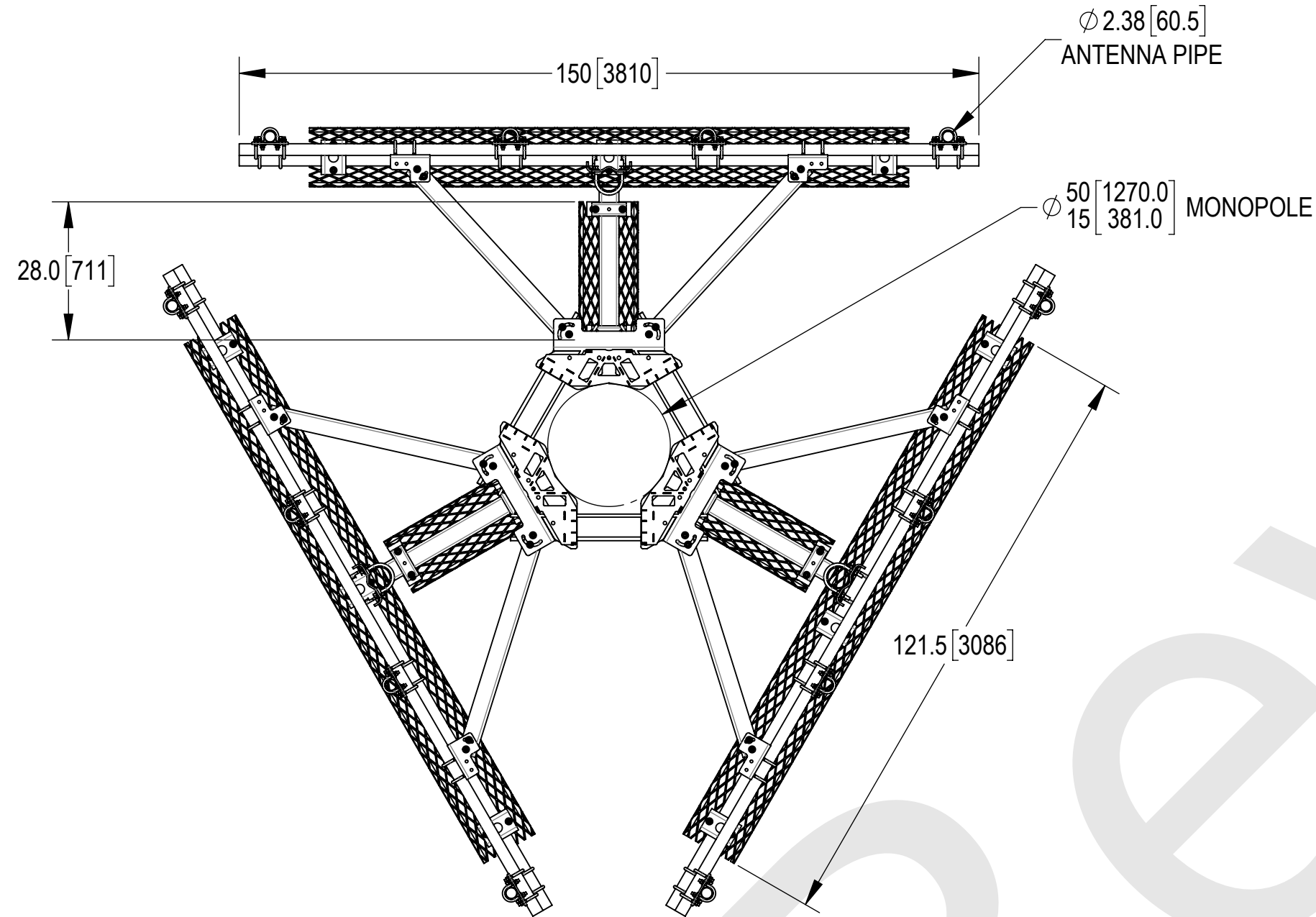


- 1.0 GENERAL NOTES  
 1.1 ALL METRIC DIMENSIONS ARE IN BRACKETS [X.X]  
 1.2 FOR PATENT INFO: <https://www.cs-pat.com>  
 2.0 DESIGN NOTES  
 2.1 ANY HAZARDS OR OBSTRUCTIONS TO THE CLIMBING FACILITY AND SAFETY CLIMB MUST BE IDENTIFIED PRIOR TO INSTALLING THE APPURTENANCE. ADDITIONAL PRODUCTS MAY BE REQUIRED TO MAINTAIN THE INTEGRITY OF THE SAFETY CLIMB. DURING INSTALLATION, TEMPORARY AND/OR PERMANENT PRECAUTIONARY MEASURES SHOULD BE TAKEN TO PRESERVE THE CLIMBING FACILITY AND/OR SAFETY CLIMB.  
 2.2 FITS MONOPOLES 15"-50" O.D.  
 3.0 MANUFACTURING/SPECIAL REQUIREMENTS  
 3.1 TIGHTEN ALL BOLTS SECURING FLAT PLATES BY THE TURN-OF-NUT METHOD. TIGHTEN ALL U-BOLTS USING TURN-OF-NUT METHOD WITH ATTENTION TO LEAVE EQUAL DISTANCE AND EQUAL FORCE ON EACH LEG OF THE U-BOLT.  
 4.0 TEST  
 5.0 PACKAGING  
 5.1 PACKAGING SHALL MEET COMMSCOPE REQUIREMENTS PER DOCUMENT IS-PL-3005  
 5.2 PRINTED DOCUMENT TO BE PLACED INSIDE POLYBAG AND THEN IN SHIPPING CONTAINER  
 5.3 EXTRA HARDWARE MAY BE SUPPLIED, BAGGED AND SHIPPED

REVISIONS			
REV.	DESCRIPTION	DATE	APPROVED
A	INITIAL RELEASE	DRR 10/29/13	
B	UPDATED BOM	QDL 9/26/2017	8000026205
C	UPDATE DRAWING TO NEW FORMAT	RY1002 29FEB24	BCROSS 40190043CMO



DENSITY	lbs/in <sup>3</sup>
MASS	2173.58 lbs
VOLUME	9419.92 in <sup>3</sup>
SURFACE AREA	96796.90 in <sup>2</sup>
HEIGHT	100"
LENGTH	180"
WIDTH	156"

**COMMSCOPE, INC. OF NORTH CAROLINA**

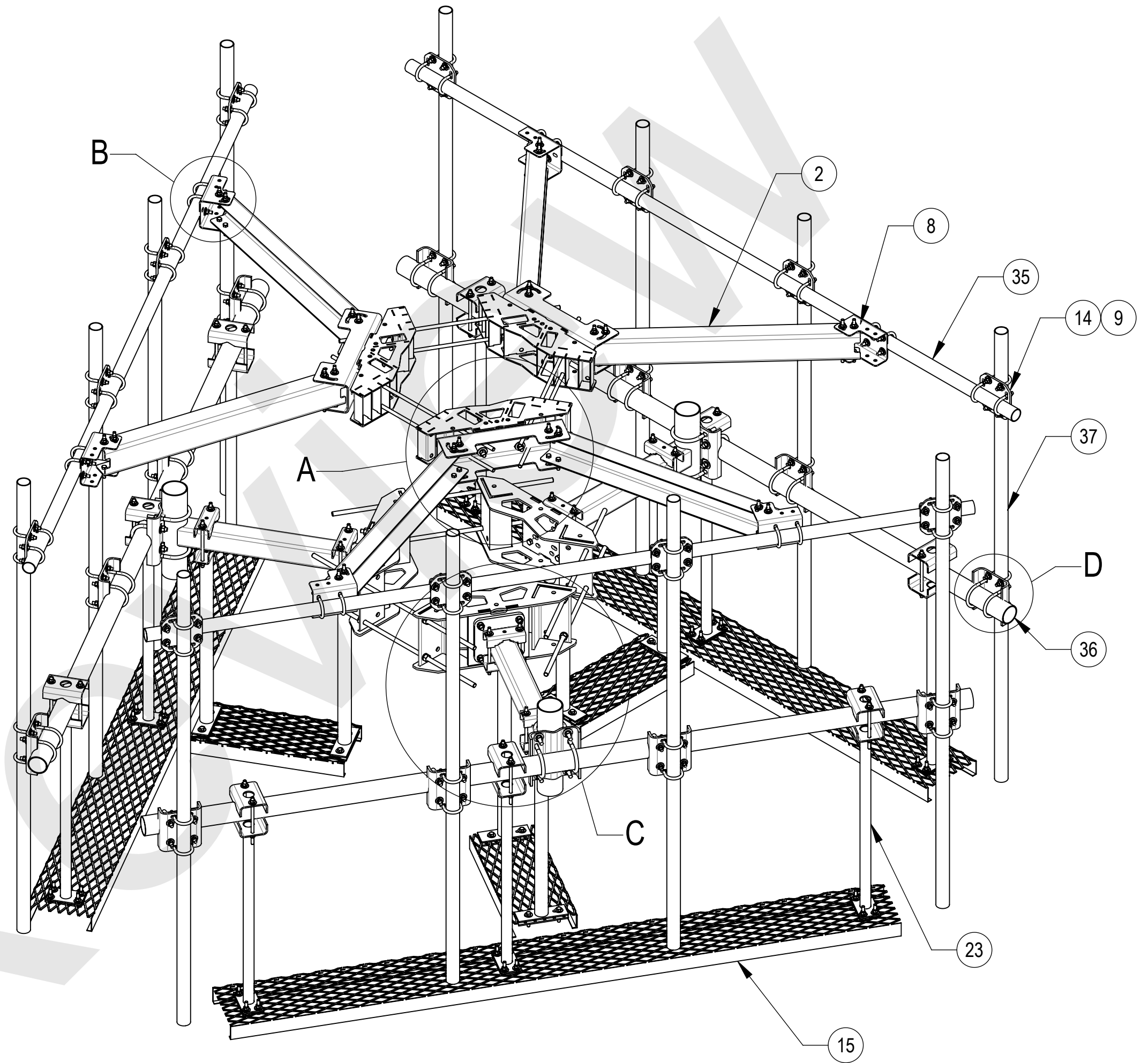
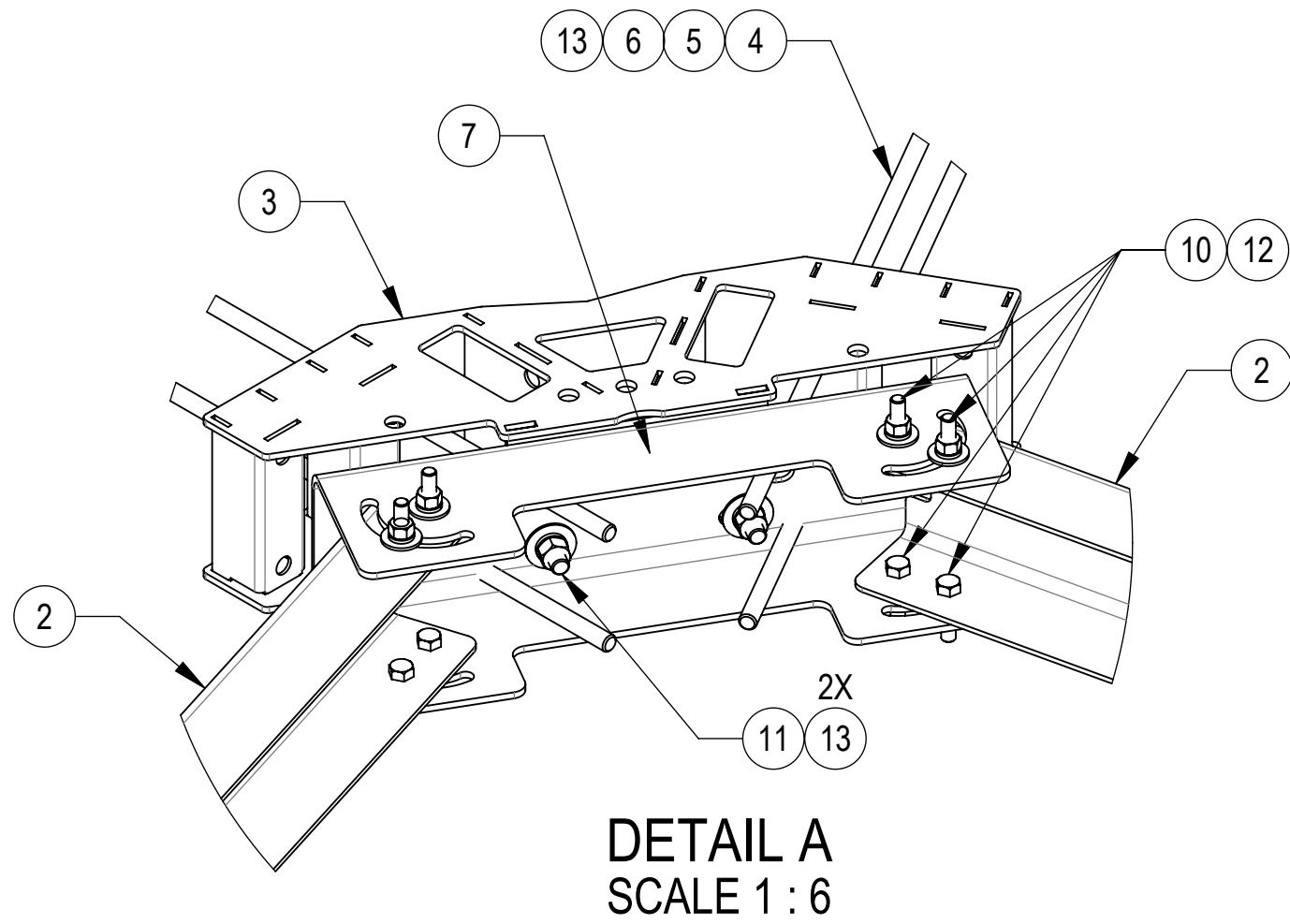
TOLERANCES: 1 PLACE .X[X] ± 0.25[6.4], 2 PLACE .XX[X] ± 0.12[3.0], 3 PLACE .XXX[X] ± 0.060[1.5], ANGLES ± 2°

SAP MATERIAL MASTER: MTC3619

FINISH: MATERIAL

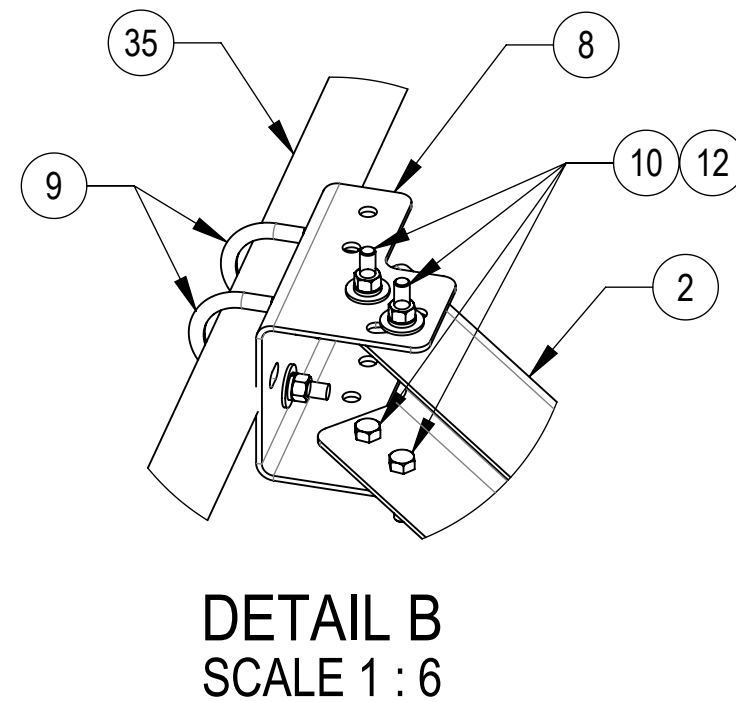
NAME	DATE	TITLE
CE MSM	10/18/13	MC-K12 WITH WP-216, WP-197, AND VS-R
RW RY1002	02/29/2024	
AD		
RE		
ECN 40190043CMO		SCALE 1:28
		DOCUMENT NO. MTC3619

SIZE	Auth Group	INSL	MODEL	DRAWING			SHEET
C			VERSION STATUS REVISION	VERSION STATUS REVISION		1 OF 3	
			00 RW A	00 RW C			

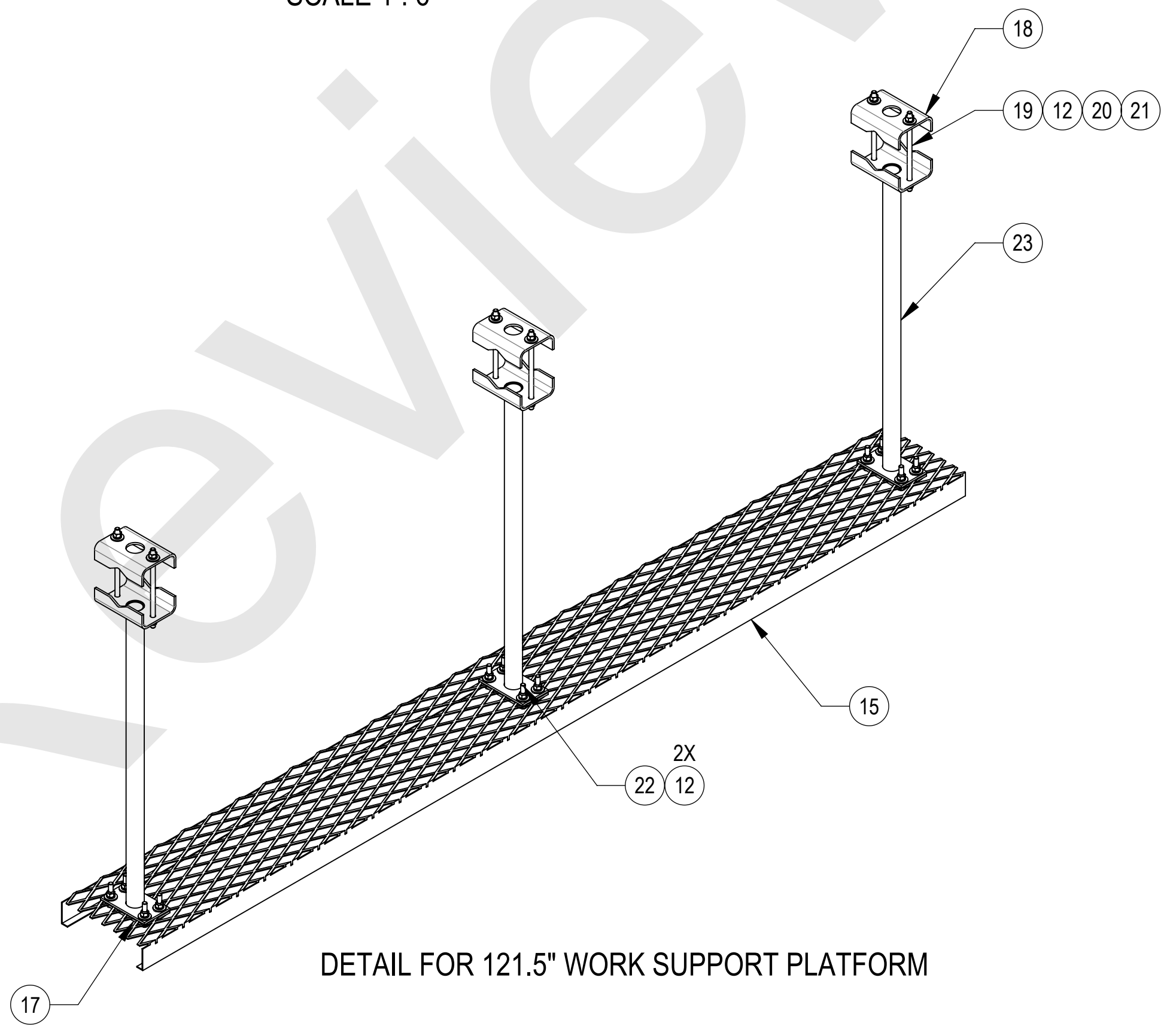
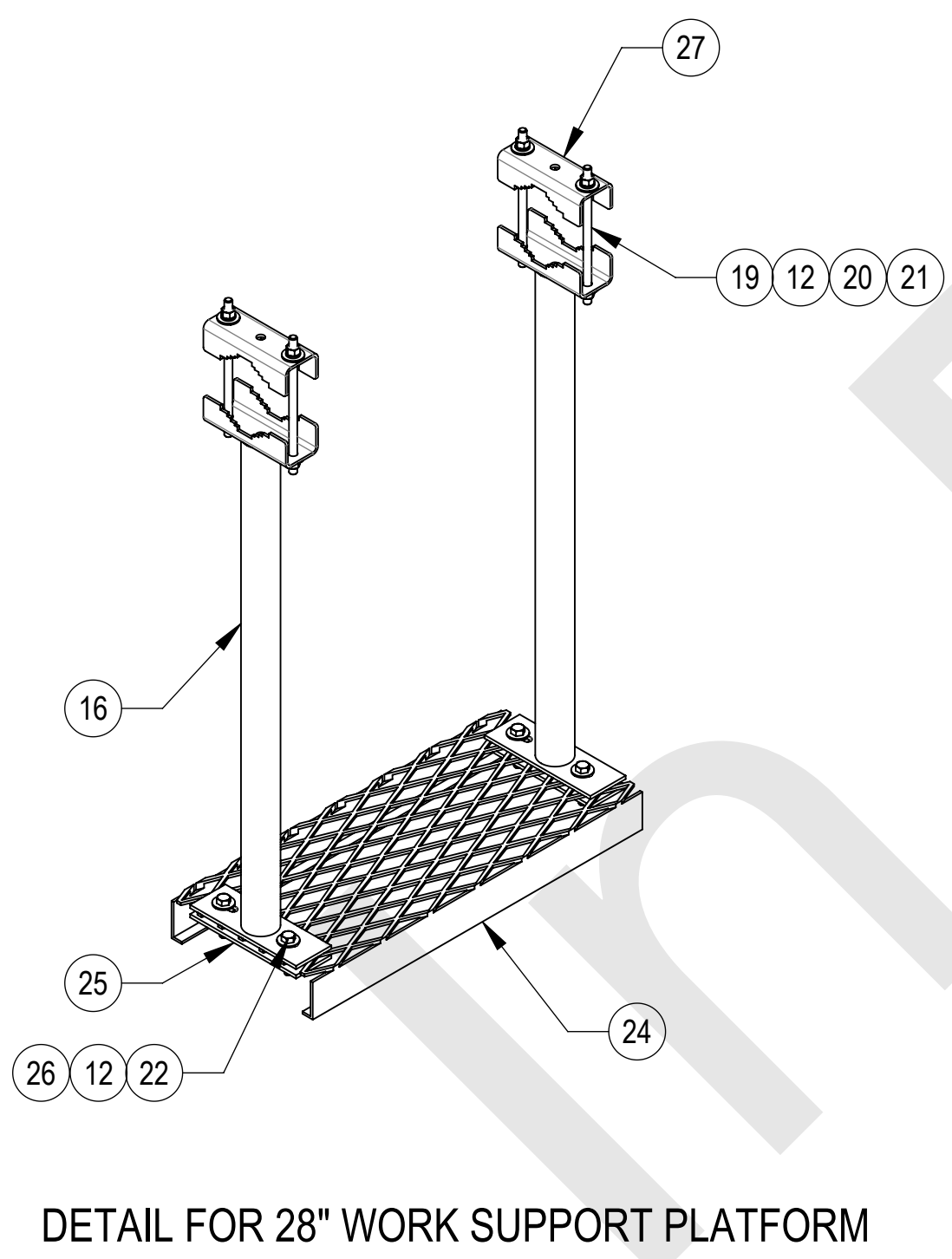
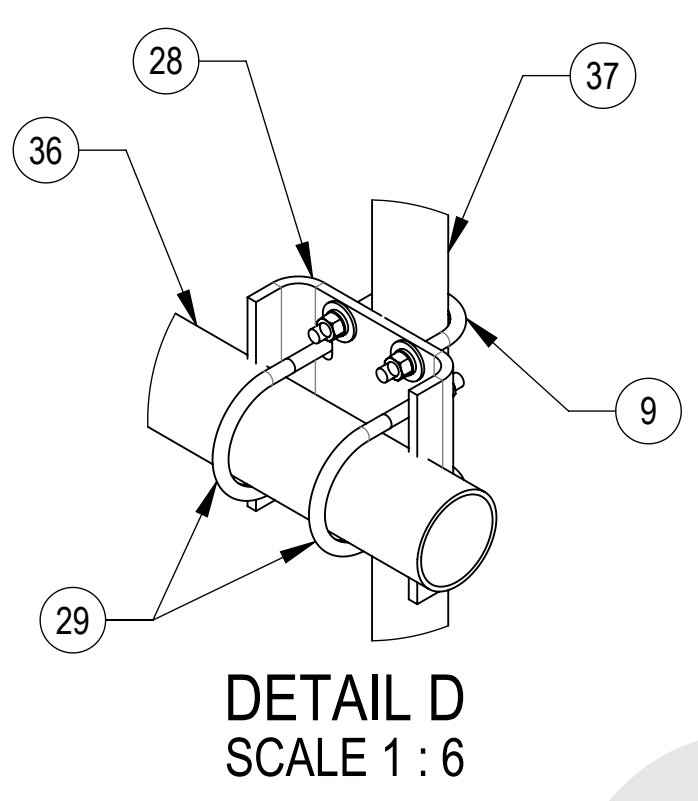
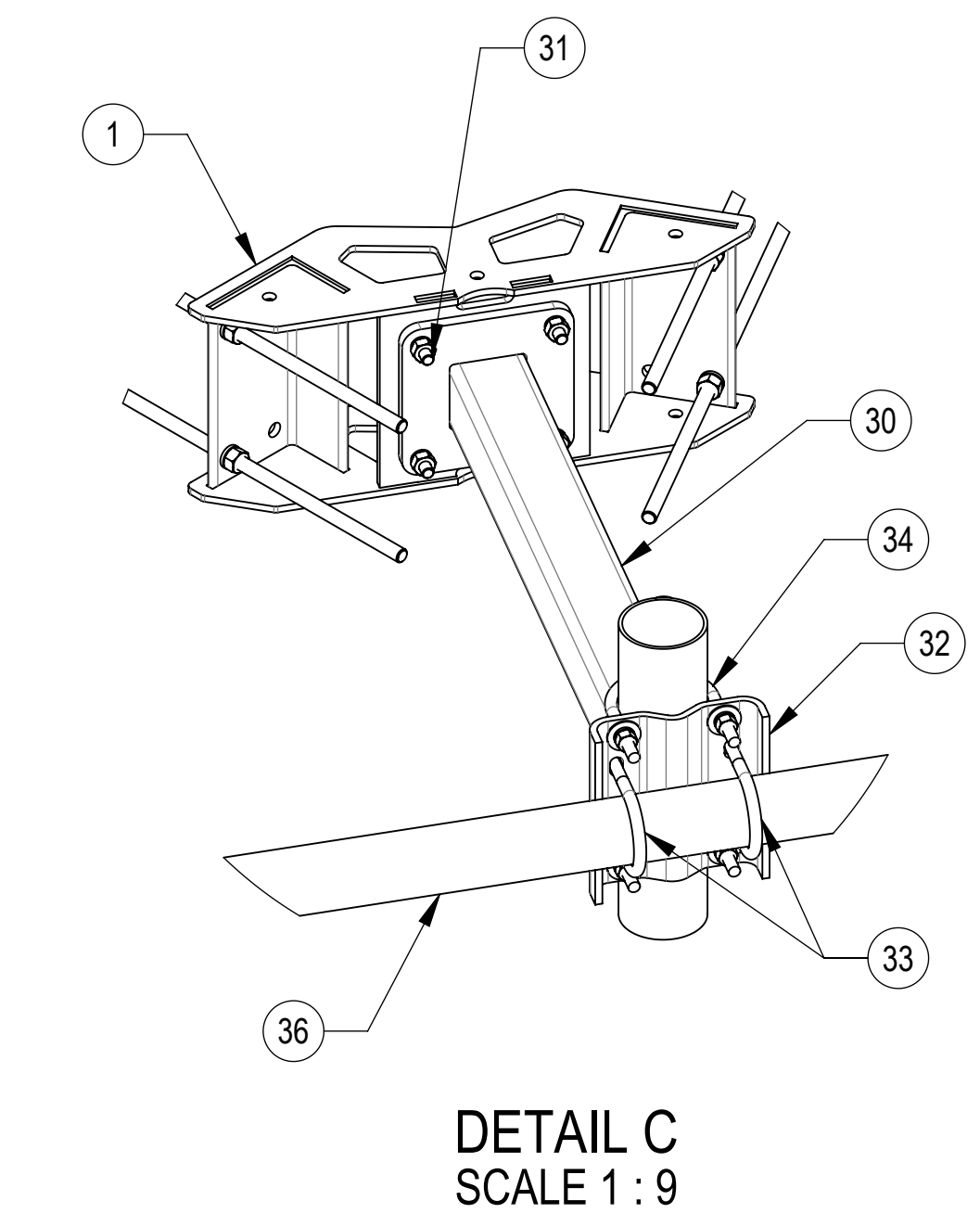


COMPONENT PART NUMBERS PROVIDED FOR ASSEMBLY PURPOSES;  
INDIVIDUAL COMPONENTS MAY BE SHIPPED AS PARTS WITHIN AN INCLUDED KIT

ITEM	PART NO.	DESCRIPTION	QTY.	WEIGHT	NOTE NO.
1	MC-RM1550-3	15" - 50" OD RINGMOUNT	1	229.90 LBS	
2	MTC340502	SUPPORT ARM	6	29.88 LBS	
3	MTC328606	WELDMENT, MEDIUM DUTY 10-50 RINGMOUNT	3	28.79 LBS	
4	MT38240	5/8" X 40" GALV THREADED ROD	6	3.46 LBS	
5	GWL-05	5/8" GALV LOCK WASHER	12	0.03 LBS	
6	GN-05	5/8" GALV HEX NUT	12	0.08 LBS	
7	MTC340501	MOUNT CHANNEL FOR MTC3405	3	23.34 LBS	
8	MTC340503	MOUNT CHANNEL	6	5.39 LBS	
9	GUB-4240	1/2" X 2-1/2" X 4" GALV U-BOLT	84	0.56 LBS	
10	GB-04205	1/2" X 2" GALV BOLT KIT	48	0.16 LBS	
11	GB-0520A	5/8" X 2" GALV BOLT KIT (A325)	12	0.26 LBS	
12	GWF-04	1/2" GALV FLAT WASHER	192	0.04 LBS	
13	GWF-05	5/8" GALV FLAT WASHER, 1.70D	36	0.06 LBS	
14	XPU01	PLATE, CROSSOVER, 1.9-3.5" X 1.9-3.5" OD	12	4.76 LBS	
15	WB-CY110	SAFETY GRATED WAVEGUIDE BRIDGE CHANNEL	3	37.00 LBS	
16	WP19706	WORK SUPPORT UPRIGHT	6	12.62 LBS	
17	WP21607	PLATE, BACKING	9	1.37 LBS	
18	WP21606	CLAMP, TOP	9	3.56 LBS	
19	MT37910	1/2" X 10" GALV THREADED ROD	30	0.55 LBS	
20	GWL-04	1/2" GALV LOCK WASHER	60	0.01 LBS	
21	GN-04	1/2" GALV HEX NUT	60	0.04 LBS	
22	GB-0424A	1/2" X 2-1/2" GALV BOLT KIT (A325)	48	0.19 LBS	
23	WP21605	SUPPORT, WORK PLATFORM	9	12.11 LBS	
24	WP197.05	SAFETY GRATING 12" X 28"	3	15.44 LBS	
25	WP197.04	BACKING PLATE	6	1.81 LBS	
26	MT-388	WASHER, 1-1/2" X 1 1/2", 9/16"HOLE,SQ	12	0.11 LBS	
27	WP19707	WORK PLATFORM CLAMP	6	1.89 LBS	
28	MT21701	PIPE MOUNT PLATE	12	7.93 LBS	
29	GUB-4356	1/2" X 3-5/8" X 6" GALV U-BOLT	24	0.81 LBS	
30	MT19701	36" SINGLE SUPPORT ARM	3	57.29 LBS	
31	GB-0524A	5/8" X 2-1/2" GALV BOLT KIT (A325)	12	0.30 LBS	
32	MT216.13	CENTER BRACKET	3	11.80 LBS	
33	GUB-53560	5/8" X 3-5/8" X 6" GALV U-BOLT	6	1.30 LBS	
34	GUB-5456	5/8" X 4-5/8" X 6 1/2" GALV U-BOLT	6	1.43 LBS	
35	MT-651-150	2.375" OD X 150" PIPE	3	36.34 LBS	
36	MT21601	PIPE, 3-1/2"OD X 150"	3	75.85 LBS	
37	MT-651-96	2.375" OD X 96" PIPE	12	23.05 LBS	



COMMSCOPE, INC. OF NORTH CAROLINA				
TITLE MC-K12 WITH WP-216, WP-197, AND VS-R				
SIZE C	SCALE 1:18	DOCUMENT NO. MTC3619		
DRAWING		VERSION	STATUS	REVISION
SHEET		00	RW	C
2 OF 3				



COMMSCOPE, INC. OF NORTH CAROLINA					
TITLE MC-K12 WITH WP-216, WP-197, AND VS-R					
SIZE <b>C</b>	SCALE <b>1:18</b>	DOCUMENT NO. MTC3619			
		DRAWING			SHEET 3 OF 3
		VERSION 00	STATUS RW	REVISION C	